

# Databos

## Handheld Enclosure System



For Finishing Services, Product Support, or to Order

Call 1-301-696-9800



This highly adaptable ABS hand-held enclosure system is available in grey or black, depending on the design. Each enclosure type provides different equipment features and accessories, so making it easy to find the ideal

enclosure for use with a wide range of mobile data collection and processing applications.

**Enclosure material:** ABS; display screen: clear PC.  
For technical data see pages 646-651.

**Colour:** Depending on model; black, similar to RAL 9005 and/or agate grey, similar to RAL 7038. Special colours on request.

**Accessories (additional charge):**

ASC1: set-up clip see page 640.

UDS: universal docking station see page 606 ff.

**Note:**

- Table stand STD 900 is available as an accessory for series BOS 900 and BOS 910.
- The BOS 700 series will be available until the end of 2007.

Enclosures Model series	Page(s)	Model	Black	Agate grey	Size in mm			Display opening	Battery compartment for	Ingress prot. DIN EN 60529
			Order no.	Order no.	L	W	H			
BOS 400	498	BOS 400*	34400000	–	100	65	24	–	9V block	IP 40
	498	BOS 400 ASC	34400500	–	100	65	24	–	9V block	
	498	BOS 401*	34401000	–	100	65	24	–	–	
	498	BOS 401 ASC	34401500	–	100	65	24	–	–	
BOS 500	500	BOS 500*	34500000	34500003	120	60	25	X	9V block	
	500	BOS 501*	34501000	34501002	120	60	25	X	9V block	
	500	BOS 502*	34502000	34502002	120	60	25	–	9V block	
	500	BOS 503*	34503000	34503001	120	60	25	–	9V block	
BOS 600	502	BOS 600	34600000	–	172	77	25	X	9V block	IP 40
	502	BOS 601	34601000	–	172	77	25	–	9V block	
	502	BOS 602	34602000	–	172	77	25	–	3 mignons	
BOS 700	504	BOS 700*	34700000	–	150	80	30	X	9V block	IP 40
	504	BOS 701*	34701000	–	150	80	30	X	9V block	
	504	BOS 704**	34704000	–	150	80	30	X	9V block	
	504	BOS 705*	34705000	–	150	80	30	X	9V block	
BOS 750	506	BOS 750*	34750000	34750001	157	84	30	X	9V block	IP 40
	506	BOS 751*	34751000	34751001	157	84	30	X	9V block	
	506	BOS 752*	34752000	34752001	157	84	30	–	9V block	
	506	BOS 753*	34753000	–	157	84	30	X	–	
	506	BOS 754*	34754000	34754001	157	84	30	X	–	
	506	BOS 755*	34755000	34755001	157	84	30	–	–	
	508	BOS 756*	34756000	–	157	84	30	X	9V block	
	508	BOS 757*	34757000	–	157	84	30	X	9V block	
	508	BOS 758*	34758000	–	157	84	30	–	–	
	508	BOS 759*	34759000	–	157	84	30	X	–	
	508	BOS 760*	34760000	–	157	84	30	X	–	
	508	BOS 761*	34761000	–	157	84	30	–	–	
BOS 800	510	BOS 800*	34800000	34800001	196	100	40	X	4 mignons	IP 40
	510	BOS 801*	34801000	34801001**	196	100	40	–	4 mignons	
	510	BOS 802*	34802000	34802001**	196	100	40	–	4 mignons	
	510	BOS 803*	34803000	34803001**	196	100	40	X	–	
	510	BOS 804*	34804000	34804001	196	100	40	X	–	
	510	BOS 805*	34805000	34805001**	196	100	40	–	–	
	510	BOS 807*	34807000	34807001	196	100	40	–	4 mignons	
	510	BOS 808*	34808000	34808001	196	100	40	–	–	
BOS 900	512	BOS 900*	34900009	34900000	211	100	26**	X	–	IP 65
	512	BOS 901**	34901009	34901000	211	100	26**	X	–	
	514	BOS 902	34902009	34902000	211	100	26**	X	4 mignons	
	514	BOS 903**	34903009	34903000	224	100	26**	X	2 x 9V block	
BOS 910	518	BOS 910*	34910009	34910002	224	106	40	X	–	IP 65
	518	BOS 911	34911009	34911000	224	106	40	X	–	
	520	BOS 912	34912009	34912000	224	106	40	X	4 mignons	
	520	BOS 913**	34913009	34913000	224	106	40	X	2 x 9V block	

\* Can be combined with universal docking station UDS, see page 606 ff.

\*\* Accessory ZR 900 can be used to increase the height to 36 mm.

• Available on request.

# BOS 400



**UDS**  
only  
BOS 400

BOS 400/400 ASC



**UDS**  
only  
BOS 401

BOS 401/401 ASC

## BOS 400/400 ASC

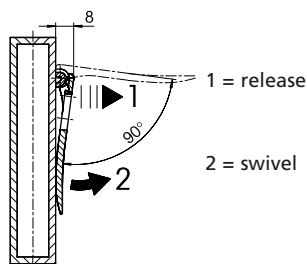
### Order designation

Model	Order no. (black)	Type	Battery comp.
BOS 400	34400000		9V block / 2 micro*
BOS 400 ASC	34400500	Incl. integrated set-up clip	9V block / 2 micro*

External dim.: L 100 x W 65 x H 24 mm  
Key area: L 83.1 x W 50.1 x D 1 mm  
Ingress protection: IP 40

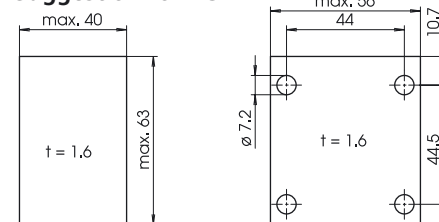
### Using the integrated set-up clip:

1. As a clip for attaching units in shirt or jacket pockets.
2. As a set-up bow; release the hinged section at the bearing (1) and swivel by 90° (2).
3. For use as a wall hanging unit when in closed state.



Z-2800893

### Suggestion for PCB:



Z-2800987-P

**Special features:** The battery compartment side is not fixed and can be removed if the battery compartment is not used. This means that boards can be inserted underneath the battery compartment lid. The PCBs (2 types) can be fixed directly to the screw connection of the enclosure.

**Scope of delivery:** Lid, base, battery compartment lid, battery compartment side, enclosure screws; for ASC, plus integrated clip bearing and bow.

**Note:** The enclosures can be supplied with plug-in front panels (min. order 500 pcs).

\* As an option, 2 micro batteries can be inserted in the enclosure by using battery holder BM 2 MC (order no.: 34165572).

## BOS 401/401 ASC

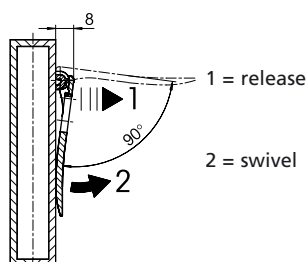
### Order designation

Model	Order no. (black)	Type
BOS 401	34401000	
BOS 401 ASC	34401500	Including integrated set-up clip

External dim.: L 100 x W 65 x H 24 mm  
Key area: L 83.1 x W 50.1 x D 1 mm  
Ingress protection: IP 40

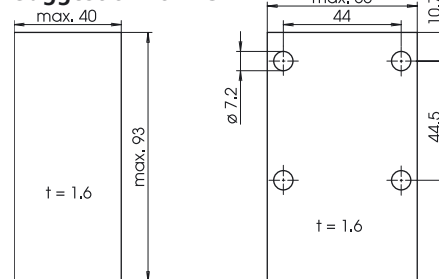
### Using the integrated set-up clip:

1. As a clip for attaching units in shirt or jacket pockets.
2. As a set-up bow; release the hinged section at the bearing (1) and swivel by 90° (2).
3. For use as a wall hanging unit when in closed state.



Z-2800893

### Suggestion for PCB:



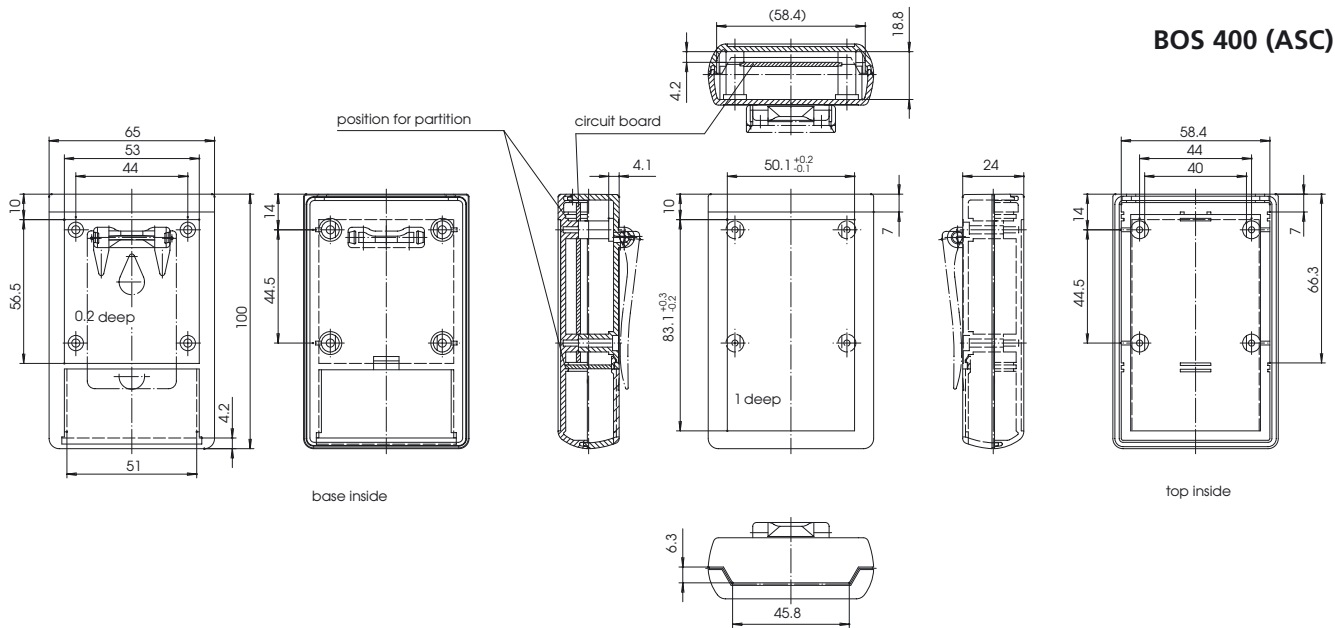
Z-2800986-P

**Special features:** The PCBs (2 types) can be fixed directly to the screw connection of the enclosure.

**Scope of delivery:** Lid, base, enclosure screws; for ASC, plus integrated clip bearing and bow.

**Note:** The enclosures can be supplied with plug-in front panels (min. order 500 pcs).

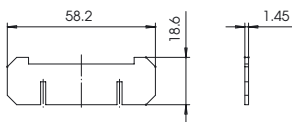
### BOS 400 (ASC)



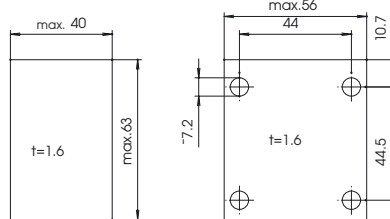
top inside

base inside

Partition  
(for the design with the battery  
compartment partition insertable)



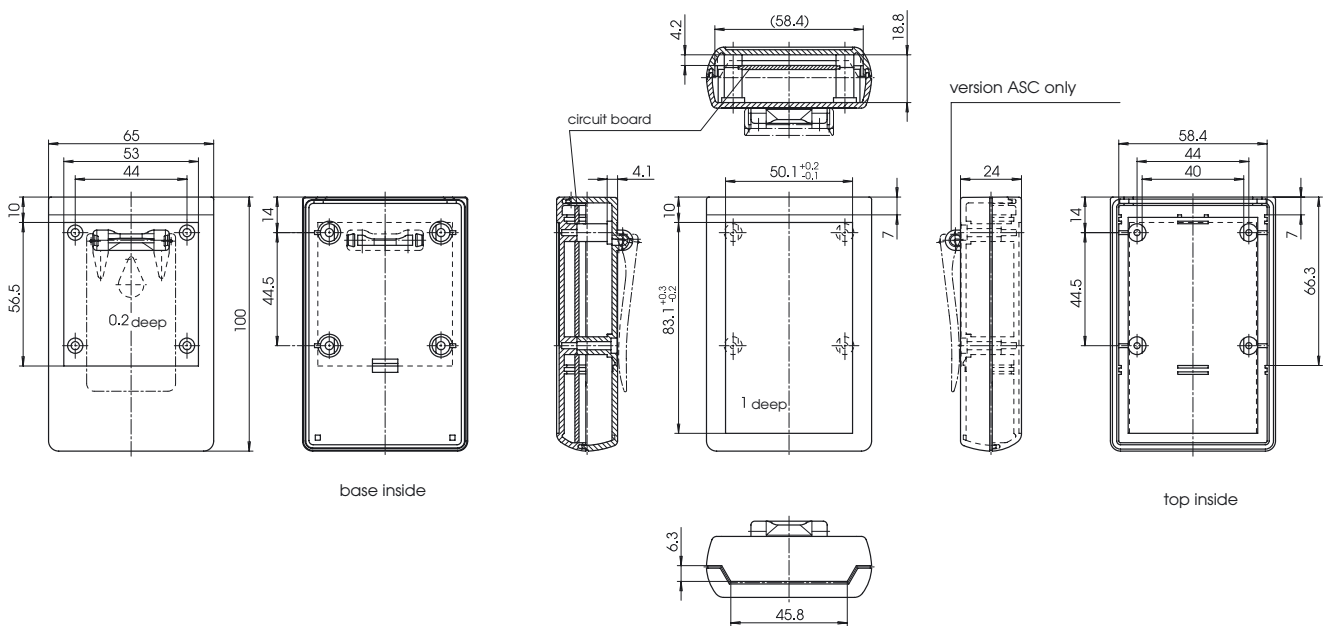
position for partition



PCBs also shown on  
individual drawing acc.  
to drawing no.: 3K 5120.075.0\_

Z-2800987

### BOS 401 (ASC)



top inside

base inside

version ASC only

Z-2800987

# BOS 500



BOS 501/500



BOS 502/503

## BOS 500/501

### Order designation

	Black	Agate grey		
Model	Order no.	Order no.	Type	Bat. comp.
BOS 500	34500000	34500003	Panoramic display screen	9V block
BOS 501	34501000	34501002	Display screen	9V block

External dim.: L 120 x W 60 x H 22 mm  
 Key area: L 53 x W 47.6 x D 0.75 mm  
 Ingress protection: IP 40

**Special features:** Enclosure fixing with just one screw

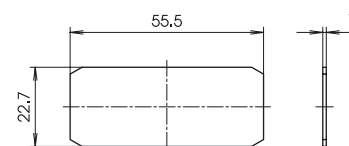
### Scope of delivery:

Lid, base, plastic front panel, battery compartment lid, enclosure screw, display screen or panoramic display screen

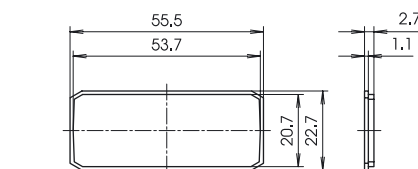
### Accessories (additional charge)

Order no.	Description
34955006	Front panel infrared-permissive
34055000	Aluminium front panel

Alum. front panel (non-standard)



Plastic front panel (scope of delivery)



Z-2800284-F

## BOS 502/503

### Order designation

	Black	Agate grey		
Model	Order no.	Order no.	Type	Bat. comp.
BOS 502	34502000	34502002	Without display opening	9V block
BOS 503	34503000	34503001	With membrane keypad area	9V block

External dim.: L 120 x W 60 x H 25 mm  
 Key area:  
 BOS 502 = L 53 x W 47.6 x D 0.25 mm,  
 BOS 503 = L 82.1 x W 47.6 x D 1 mm  
 Ingress protection: IP 40

**Special features:** Enclosure fixing with just one screw

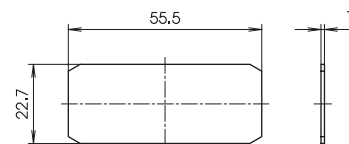
### Scope of delivery:

Lid, base, plastic front panel, battery compartment lid, enclosure screw

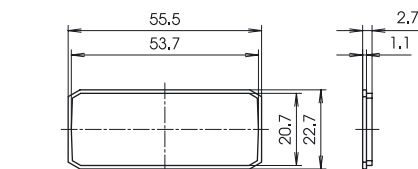
### Accessories (additional charge)

Order no.	Description
34955006	Front panel, infrared-permissive
34055000	Aluminium front panel

Alum. front panel (non-standard)

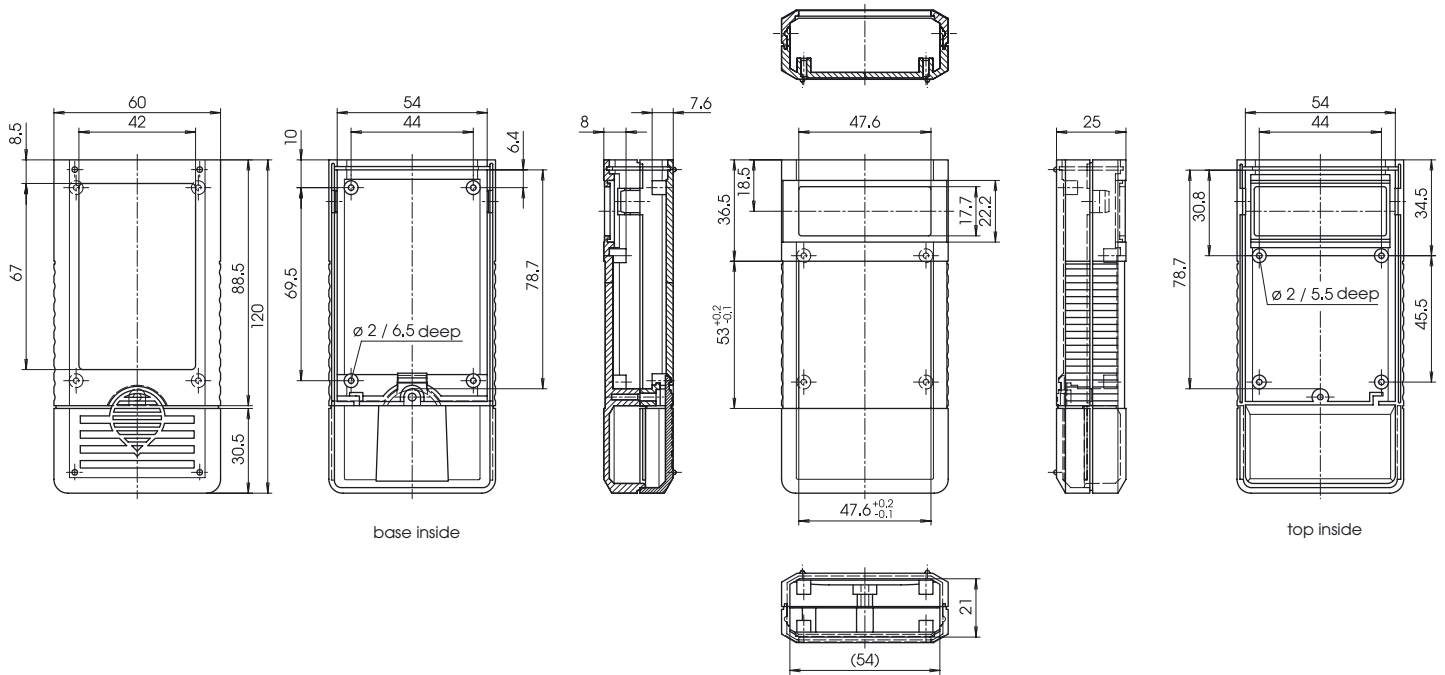


Plastic front panel (scope of delivery)



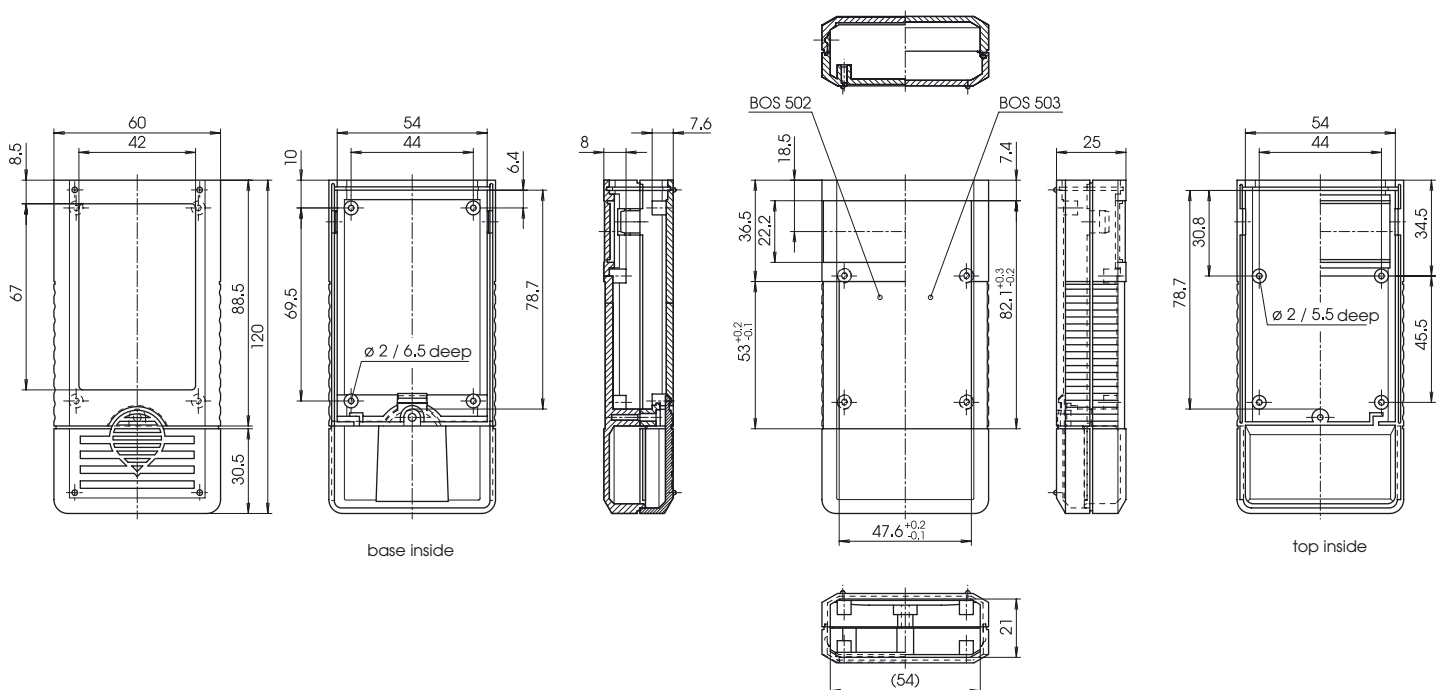
Z-2800284-F

### BOS 500/501



Z-2800284

### BOS 502/503



Z-2800848

# BOS 600



BOS 600/601



BOS 602

3 x



## BOS 600/601

### Order designation

Model	Order no. (black)	Type	Bat. comp.
BOS 600	34600000	Display screen	9V block
BOS 601	34601000	With membrane keypad area	9V block

External dim.: L 172 x W 77 x H 25 mm

### Key area:

BOS 600 = L 112 x W 52 x D 1 mm

BOS 601 = L 154 x W 52 x D 1 mm

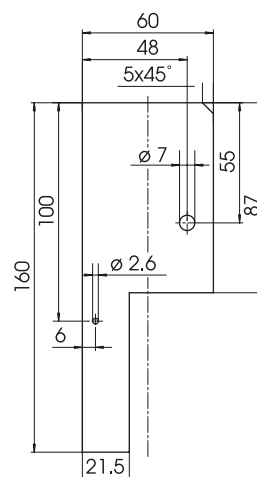
Ingress protection: IP 40

**Special features:** The built-in board is clamped several times between lid and base part and additionally fixed with only one screw.

### Scope of delivery:

Lid, base, 2 plastic front panels, screws, battery compartment lid; BOS 600 with display screen

### Suggestion for PCB:



Z-2800706-P

## BOS 602

### Order designation

Model	Order no. (black)	Type	Bat. comp.
BOS 602	34602000	Loudspeaker grille	3 x 1.5V mignon

External dim.: L 172 x W 77 x H 25 mm

Key area: L 112 x W 52 x D 1 mm

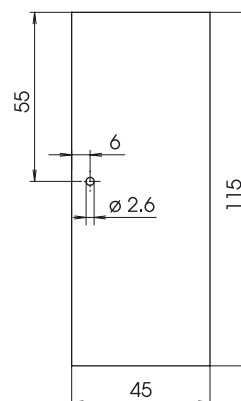
Ingress protection: IP 40

**Special features:** The built-in board is clamped several times between lid and base part and additionally fixed with only one screw. The battery compartment can only be accessed by opening the enclosure.

### Scope of delivery:

Lid, base, 2 plastic front panels, screws

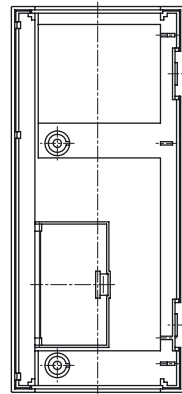
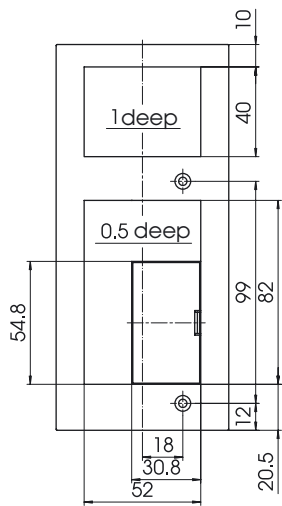
### Suggestion for PCB:



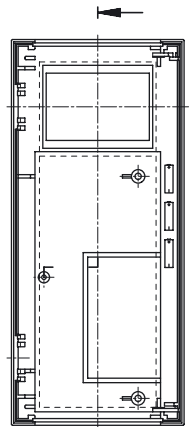
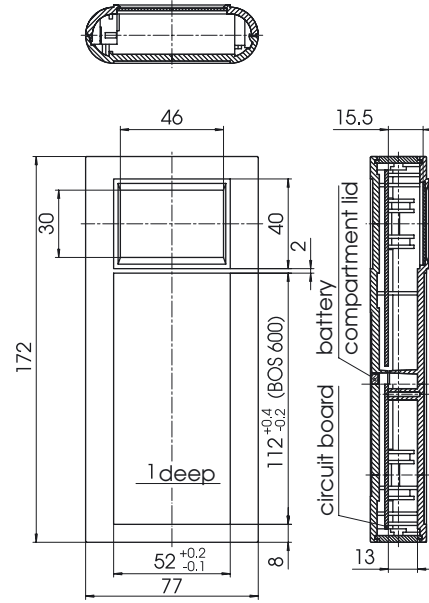
Z-2800698-P



### BOS 600/601



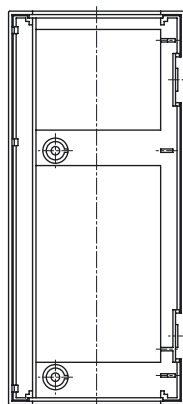
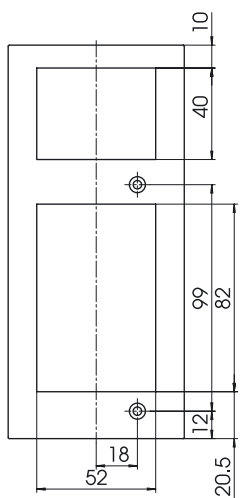
base inside



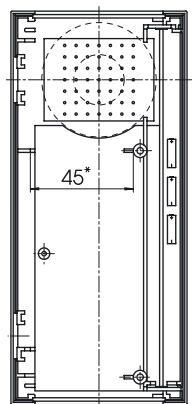
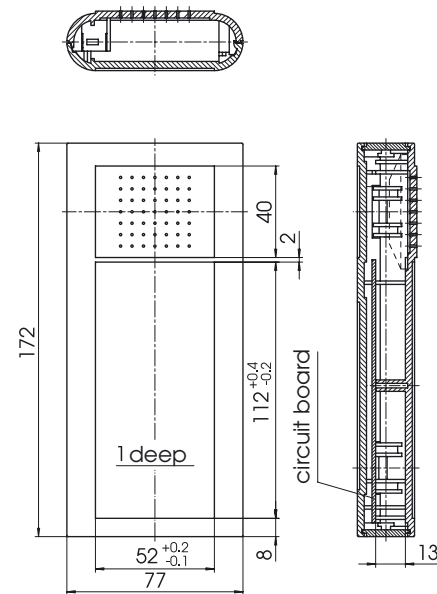
top inside

Z-2800706

### BOS 602



base inside



top inside

\*circuit board measurement

Z-2800698

# BOS 700

## BOS 700/701

### Order designation

Model	Order no. (black)	Display opening	Bat. comp.
BOS 700	34700000	23 x 58 mm	9V block
BOS 701	34701000	18 x 48 mm	9V block

External dim.: L 150 x W 80 x H 30 mm  
 Key area: L 60 x W 65 x D 0.5 mm  
 Ingress protection: IP 40

**Special features:** Mounting bosses for M2 threaded inserts are provided inside lid and base part; additional bosses for self-tapping screws inside base.

### Scope of delivery:

Lid, base, plastic front panel, battery compartment lid, screws, threaded inserts.  
 Please order display screen separately.

### Accessories (additional charge)

Order no.	Description
26000800	PVC display screen, 1 mm

## Note

The entire enclosure series BOS 700 to BOS 705 is still available until the end of 2007.

## BOS 704/705

### Order designation

Model	Order no. (black)	Type	Display opening	Bat. comp.
BOS 704	34704000*	With slide for switch	23 x 58 mm	9V block
BOS 705	34705000	With slide for switch	18 x 48 mm	9V block

\* available on request

External dim.: L 150 x W 80 x H 30 mm  
 Key area: L 60 x W 65 x D 0.5 mm  
 Ingress protection: IP 40

**Special features:** Mounting bosses for M2.5 threaded inserts are provided inside lid and base part; additional bosses for self-tapping screws inside base.

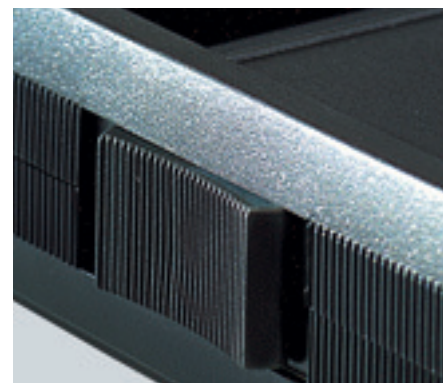
### Scope of delivery:

Lid, base, plastic front panel, battery compartment lid, screws, threaded inserts.  
 Please order display screen separately.

### Accessories (additional charge)

Order no.	Description
26000800	PVC display screen, 1 mm

### Slide for switch:



Operation of a PCB-mounted flip or sliding switch by means of slide fitted on the side.



UDS



BOS 700/701

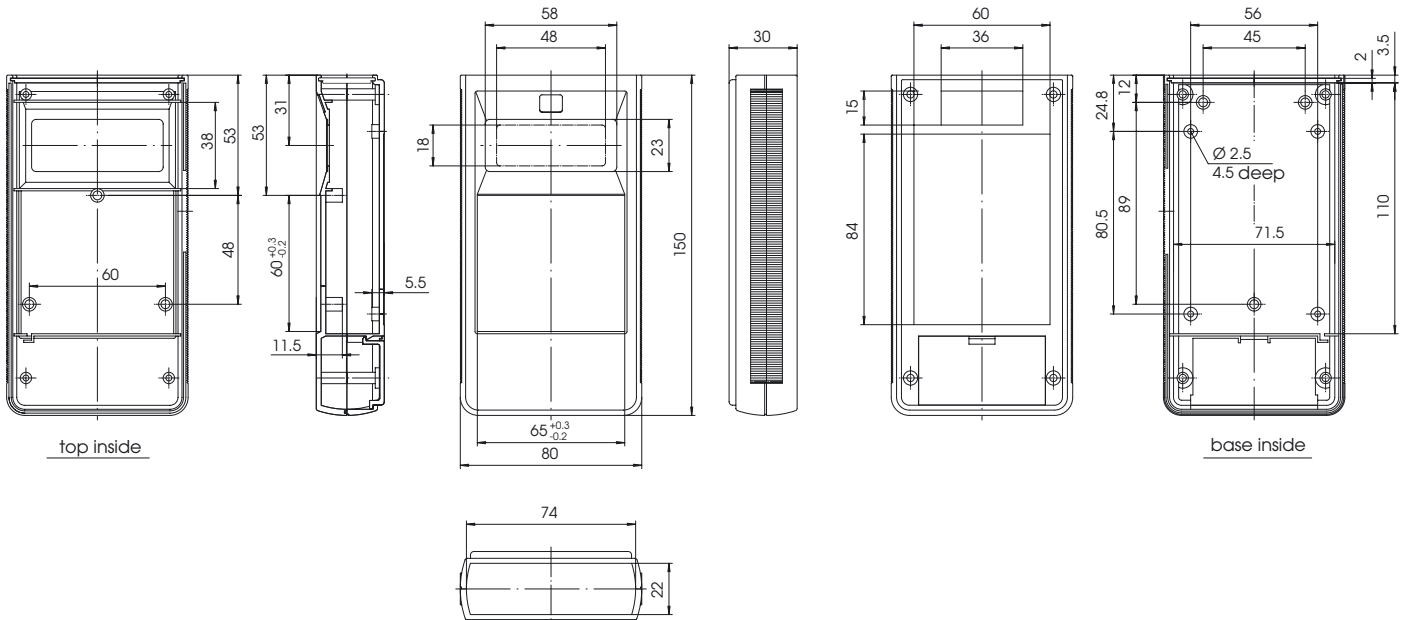


UDS



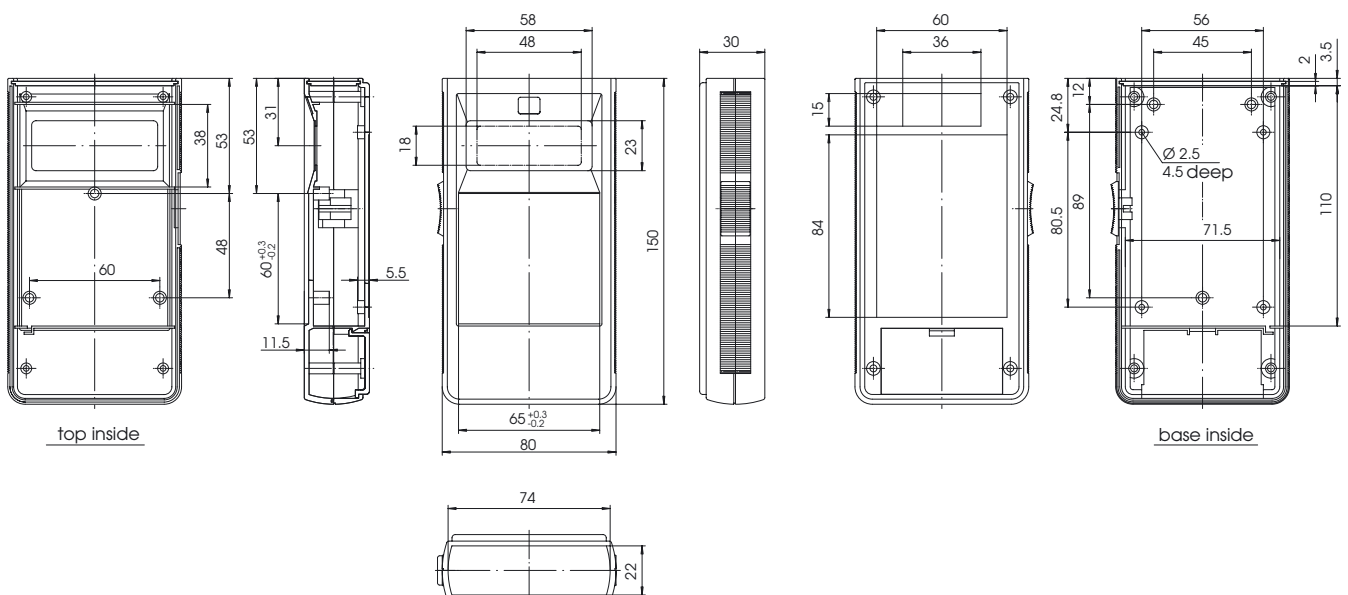
BOS 704/705

### BOS 700/701



Z-2802265

### BOS 704/705



Z-2802266



# BOS 750



BOS 750/751/752



BOS 753/754/755

## BOS 750/751/752

### Order designation

	Black	Agate grey		
<b>Model</b>	<b>Order no.</b>	<b>Order no.</b>	<b>Type</b>	<b>Bat. comp.</b>
BOS 750	34750000	34750001	Panoramic display screen	9V block
BOS 751	34751000	34751001	Display screen	9V block
BOS 752	34752000	34752001	With membrane keypad area	9V block

External dim.: L 157 x W 84 x H 30 mm

Key area:

BOS 750/751 = L 86.1 x W 70.1 x D 1 mm

BOS 752 = L 133.2 x W 70.1 x D 1 mm

Ingress protection: IP 40

### Scope of delivery:

Lid, base, plastic front panel, battery compartment lid, screws; BOS 750 with panoramic display screen, BOS 751 with display screen.

## BOS 753/754/755

### Order designation

	Black	Agate grey	
<b>Model</b>	<b>Order no.</b>	<b>Order no.</b>	<b>Type</b>
BOS 753	34753000	-	Panoramic display screen
BOS 754	34754000	34754001	Display screen
BOS 755	34755000	34755001	With membrane keypad area

External dim.: L 157 x W 84 x H 30 mm

Key area:

BOS 753/754 = L 86.1 x W 70.1 x D 1 mm

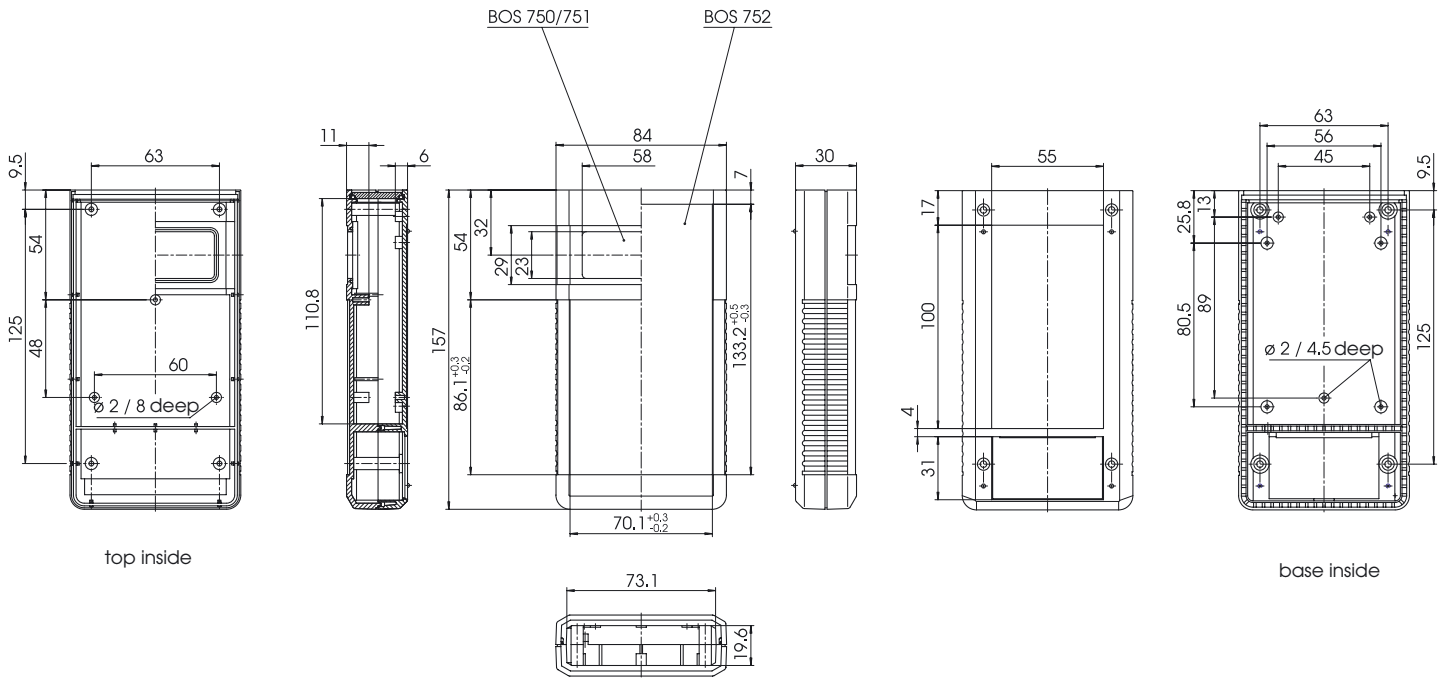
BOS 755 = L 133.2 x W 70.1 x D 1 mm

Ingress protection: IP 40

### Scope of delivery:

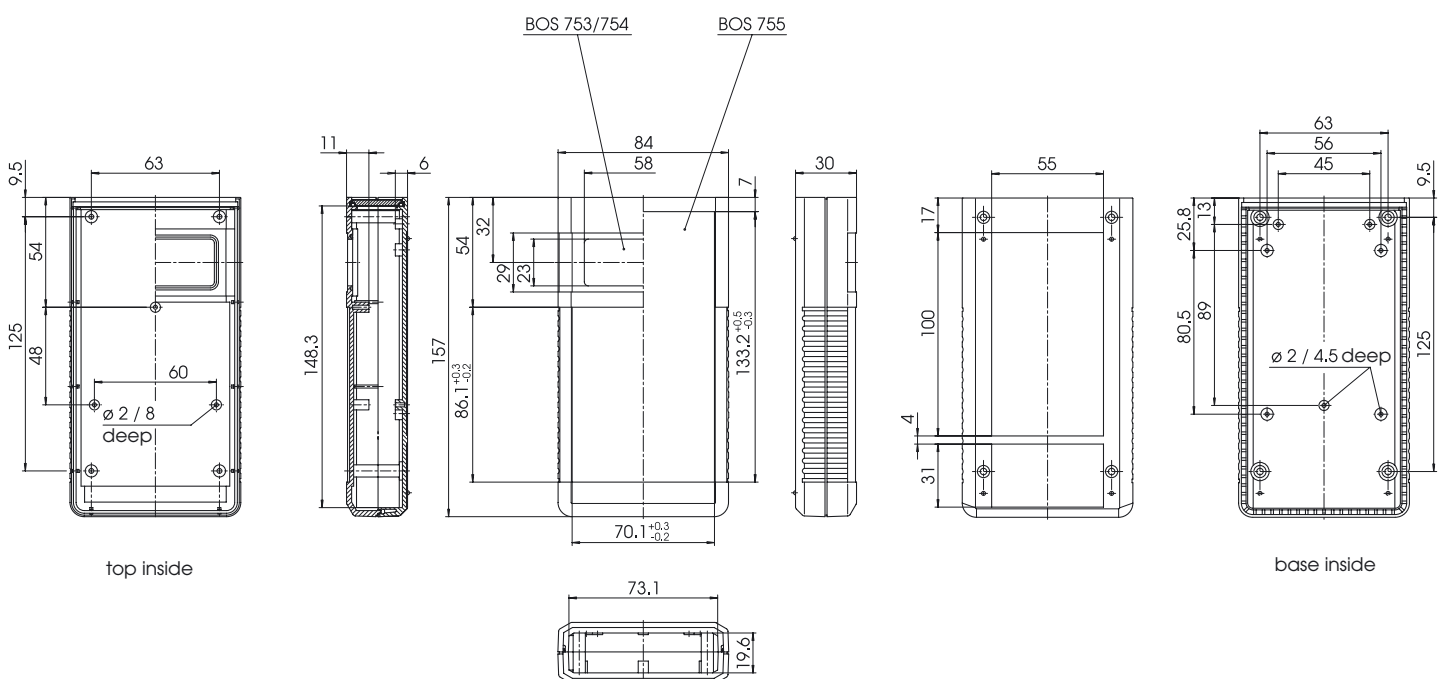
Lid, base, plastic front panel, screws; BOS 753 with panoramic display screen, BOS 754 with display screen.

### BOS 750 - 752



Z-2800813

### BOS 753 - 755



Z-2800814

# BOS 750



BOS 756/757/758

## BOS 756/757/758

### Order designation

Model	Order no. (black)	Type	Bat. comp.
BOS 756	34756000	Panoramic display screen, with slide for switch	9V block
BOS 757	34757000	Display screen, with slide for switch	9V block
BOS 758	34758000	With membrane keypad area, with slide for switch	9V block

**External dim.:** L 157 x W 84 x H 30 mm

**Key area:**

BOS 756/757 = L 86.1 x W 70.1 x D 1 mm

BOS 758 = L 133.2 x W 70.1 x D 1 mm

**Ingress protection:** IP 40

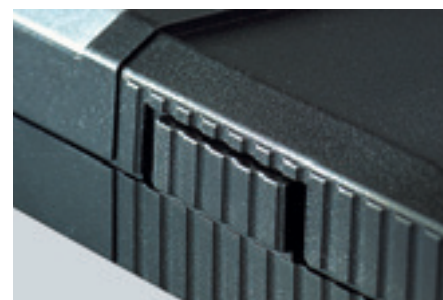
### Special features:

The slide on the side can operate a flip or sliding switch.

### Scope of delivery:

Lid, base, plastic front panel, battery compartment lid, screws; BOS 756 with panoramic display screen, BOS 757 with display screen.

### Slide for switch:



Operation of a PCB-mounted flip or sliding switch by means of slide fitted on the side.



BOS 759/760/761

## BOS 759/760/761

### Order designation

Model	Order no. (black)	Type
BOS 759	34759000	Panoramic display screen, with slide for switch
BOS 760	34760000	Display screen, with slide for switch
BOS 761	34761000	With membrane keypad area, with slide for switch

**External dim.:** L 157 x W 84 x H 30 mm

**Key area:**

BOS 759/760 = L 86.1 x W 70.1 x D 1 mm

BOS 761 = L 133.2 x W 70.1 x D 1 mm

**Ingress protection:** IP 40

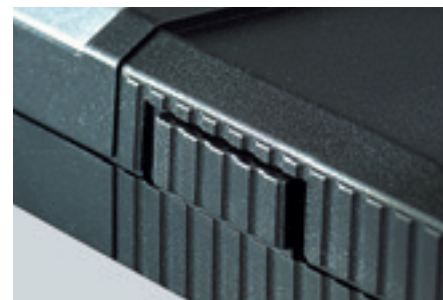
### Special features:

The slide on the side can operate a flip or sliding switch.

### Scope of delivery:

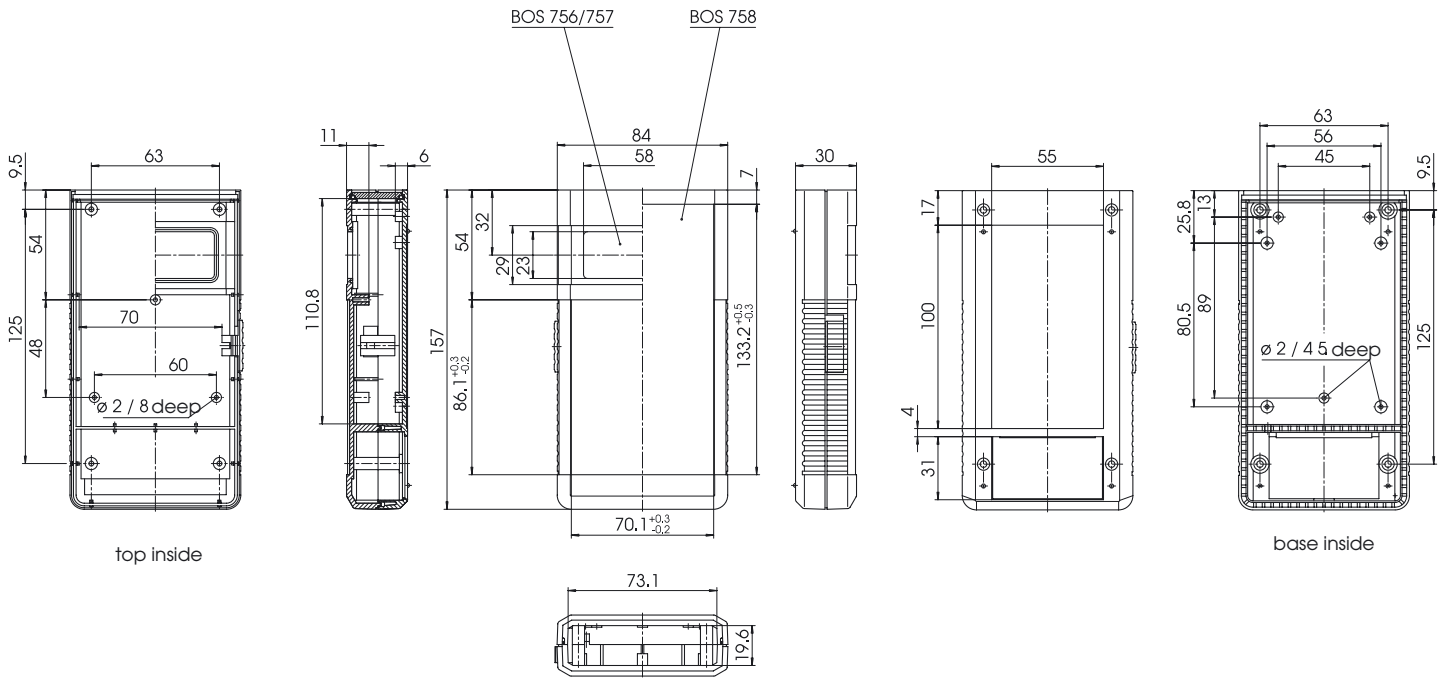
Lid, base, plastic front panel, battery compartment lid, screws; BOS 759 with panoramic display screen, BOS 760 with display screen.

### Slide for switch:



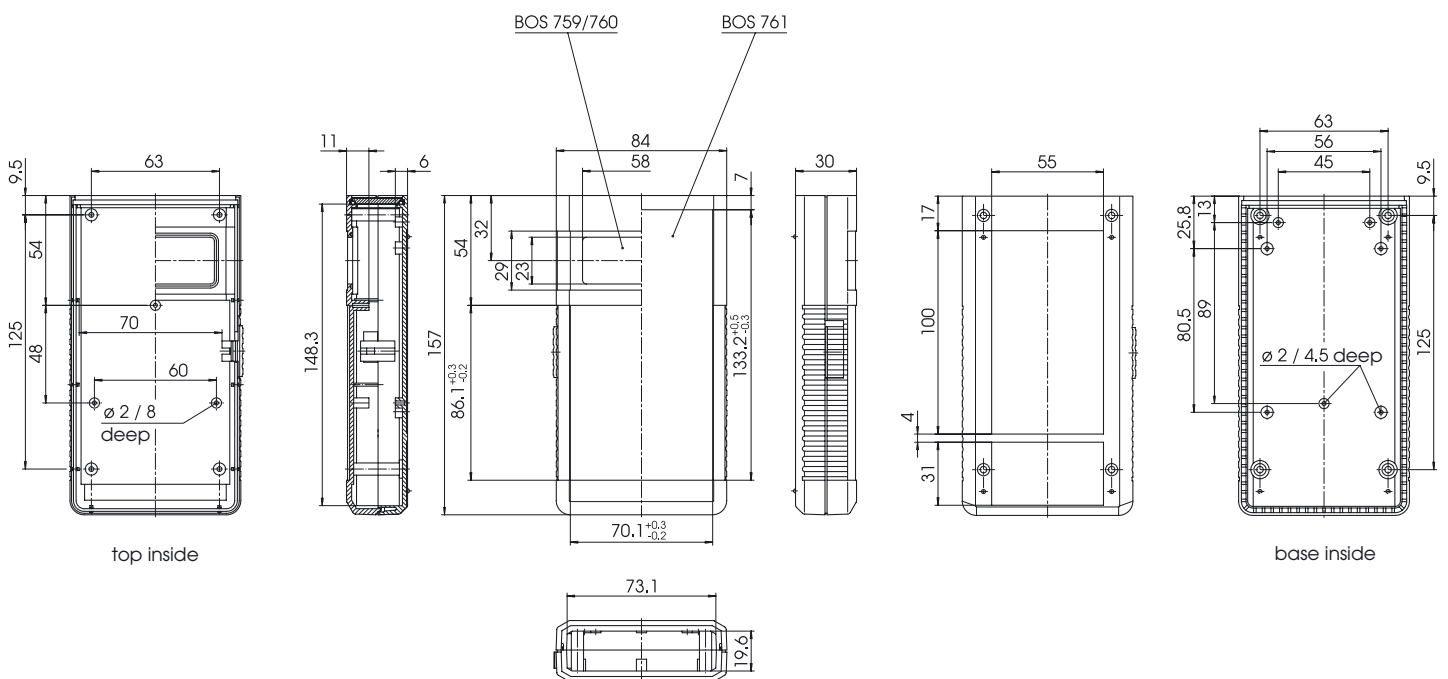
Operation of a PCB-mounted flip or sliding switch by means of slide fitted on the side.

### BOS 756 - 758



Z-2800815

### BOS 759 - 761



Z-2800816

# BOS 800



BOS 800/801/802

UDS

4 x



BOS 803/804/805

UDS



BOS 807/808

4 x

(only BOS 807)

## BOS 800/801/802

### Order designation

	Black	Agate grey		
<b>Model</b>	<b>Order no.</b>	<b>Order no.</b>	<b>Type</b>	<b>Bat. comp.</b>
BOS 800	34800000	34800001	Panoramic display screen	4 x 1.5V mignon
BOS 801	34801000	34801001*	Display screen	4 x 1.5V mignon
BOS 802	34802000	34802001*	Without display opening	4 x 1.5V mignon

External dim.: L 196 x W 100 x H 40 mm

\* available on request

### Key area:

BOS 800/801: L 92.6 x W 80.1 x D 1 mm,

BOS 802: L 92.6 x W 80.1 x D 0.25 mm

**Ingress protection:** IP 40

**Special features:** Alternatively, 2 x 9V block batteries can be fitted in the battery compartment.

### Scope of delivery:

Lid, base, plastic front panel, screws, battery compartment lid, contacts; BOS 800 with panoramic display screen, BOS 801 with display screen.

## BOS 803/804/805

### Order designation

	Black	Agate grey	
<b>Model</b>	<b>Order no.</b>	<b>Order no.</b>	<b>Type</b>
BOS 803	34803000	34803001*	Panoramic display screen
BOS 804	34804000	34804001	Display screen
BOS 805	34805000	34805001*	Without display opening

External dim.: L 196 x W 100 x H 40 mm

### Scope of delivery:

Lid, base, plastic front panel, screws; BOS 803 with panoramic display screen, BOS 804 with display screen.

### Key area:

BOS 803/804: L 92.6 x W 80.1 x D 1 mm,

BOS 805: L 92.6 x W 80.1 x D 0.25 mm

**Ingress protection:** IP 40

\* available on request

## BOS 807/808

### Order designation

	Black	Agate grey		
<b>Model</b>	<b>Order no.</b>	<b>Order no.</b>	<b>Type</b>	<b>Bat. comp.</b>
BOS 807	34807000	34807001	With membrane keypad area	4 x 1.5V mignon
BOS 808	34808000	34808001	With membrane keypad area	-

External dim.: L 196 x W 100 x H 40 mm

### Scope of delivery:

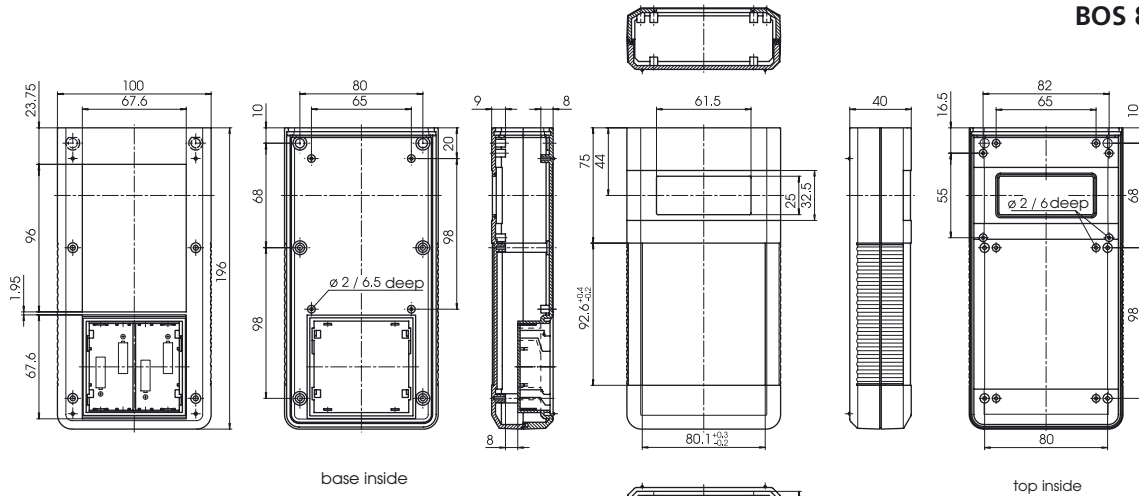
Lid, base, plastic front panel, screws, battery compartment lid, contacts

Key area: L 160 x W 80.1 x D 1 mm

**Ingress protection:** IP 40



### BOS 800 - 802

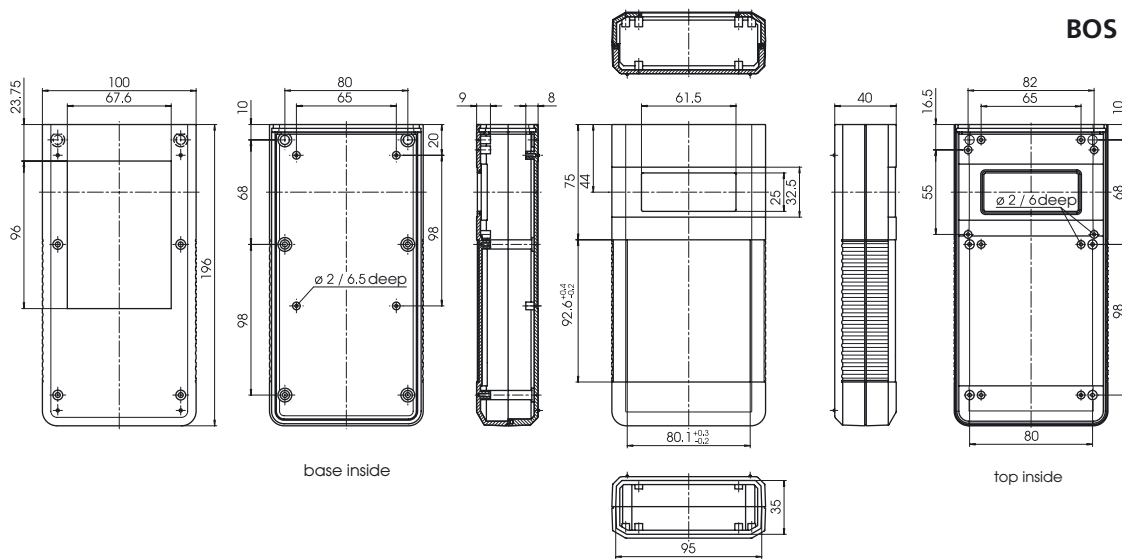


base inside

top inside

Z-2800811

### BOS 803 - 805

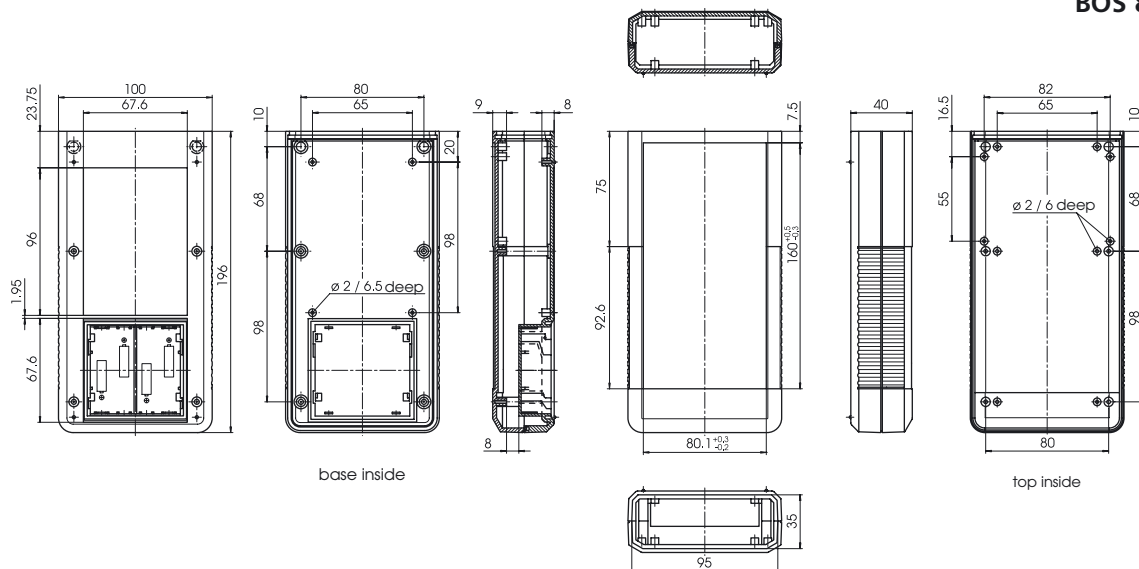


base inside

top inside

Z-2800812

### BOS 807 - 808



base inside

top inside

Z-2800852

# BOS 900



UDS

BOS 900 for display  
16 characters x 4 lines



BOS 901 for display  
16 characters x 4 lines.  
Same lid view as BOS 900.

## BOS 900

### Order designation

	Black	Agate grey	
<b>Model</b>	<b>Order no.</b>	<b>Order no.</b>	<b>Type</b>
BOS 900	34900009	34900000	Without battery compartment, without carrying strap

**External dim.:** L 211 x W 100 x H 26 mm

**Key area:** L 131.6 x W 75.1 x D 1 mm

**Ingress protection:** IP 65 (with glued-in display screen)

### Accessories:

Intermediate frame ZR 900  
see page 516,  
table stand STD 900  
see page 516.

### Scope of delivery:

Lid with seal, base, self-tapping screws, display screen (enclosed unfitted), purpose-designed for printing, etc. Display screen can be glued in on request (price on application).

## BOS 901

### Order designation

	Black	Agate grey	
<b>Model</b>	<b>Order no.</b>	<b>Order no.</b>	<b>Type</b>
BOS 901	34901009*	34901000	Without battery compartment, with carrying strap

**External dim.:** L 211 x W 100 x H 26 mm

**Key area:** L 131.6 x W 75.1 x D 1 mm

**Ingress protection:** IP 65 (with glued-in display screen)

### Accessories:

Intermediate frame ZR 900  
see page 516,  
table stand STD 900  
see page 516.

### Scope of delivery:

Lid with seal, base, carrying strap, set-up foot, self-tapping screws, display screen (enclosed unfitted), purpose-designed for printing, etc. Display screen can be glued in on request (price on application).

\* available on request



# BOS 900

## BOS 902

### Order designation

	Black	Agate grey		
Model	Order no.	Order no.	Type	Bat. comp.
BOS 902	34902009	34902000	With carrying strap	4 mignons

**External dim.:** L 211 x W 100 x H 26 mm

**Key area:** L 131.6 x W 75.1 x D 1 mm

**Ingress protection:** IP 65 (with glued-in display screen)

### Accessories:

Intermediate frame ZR 900  
see page 516,  
table stand STD 900  
see page 516.

### Scope of delivery:

Lid with seal, base with battery compartment incl. contacts, carrying strap, self-tapping screws, display screen (enclosed unfitted), purpose-designed for printing, etc.

Display screen can be glued in on request (price on application).

## BOS 903

### Order designation

	Black	Agate grey		
Model	Order no.	Order no.	Type	Bat. comp.
BOS 903	34903009*	34903000	With carrying strap	2 x 9V block

**External dim.:** L 211 x W 100 x H 40 mm

**Key area:** L 131.6 x W 75.1 x D 1 mm

**Ingress protection:** IP 65 (with glued-in display screen)

### Accessories:

Intermediate frame ZR 900  
see page 516,  
table stand STD 900  
see page 516.

### Scope of delivery:

Lid with seal, base with battery compartment, carrying strap, self-tapping screws, display screen (enclosed unfitted), purpose-designed for printing, etc.

Display screen can be glued in on request (price on application).

\* available on request



BOS 902 for display  
16 characters x 4 lines.  
Same lid view as BOS 900.

4 x



BOS 903 for display  
16 characters x 4 lines.  
Same lid view as BOS 900.

2 x







# BOS 900 accessories



STD 900



ZR 900

## Table stand STD 900

### Order designation

	Black	Agate grey	
<b>Model</b>	<b>Order no.</b>	<b>Order no.</b>	<b>Type</b>
STD 900	34900029	34900002	Table stand

**Ext. dim.:** L 211 x W 100 x H 111 mm  
**Ingress protection:** IP 40

**Scope of delivery:**  
Lid, base, screws

This table stand is suitable for use as  
– unit stand  
– charging station  
– data transfer unit  
(for all BOS 900 - 903 and 910 - 913).

Electronic PCBs can be fitted on two levels, i.e. one parallel to the lid, one parallel to the base. The following variants can be created by turning the enclosure or the lid respectively:  
– flat table position  
– angled table position  
– wall fitting

When used in connection with BP 900 F (see page 169), STD 900 is ideal for use as a charging-operation terminal. For this reason the base is fitted with surfaces which make it possible to screw two bases together. Bonding, for example by means of sub-D connectors, from a charging/transfer station (STD 900) and an operating unit (BP 900 F) is also possible. For this version the PCB should be in the upper position.

## Intermediate frame ZR 900

### Order designation

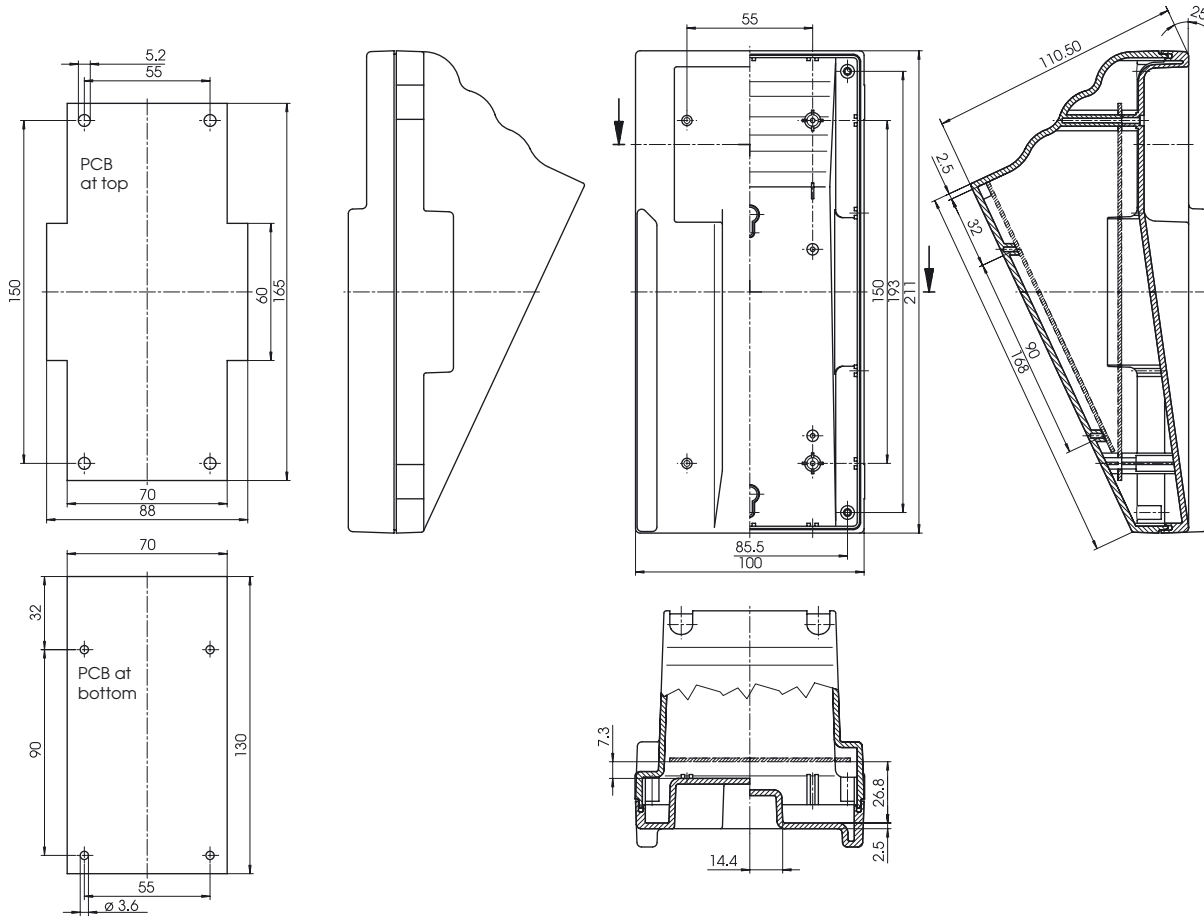
	Black	Agate grey	
<b>Model</b>	<b>Order no.</b>	<b>Order no.</b>	<b>Type</b>
ZR 900	34900909	34900900	Intermediate frame

This intermediate frame can be used for all BOS 900 - 903 hand-held enclosures and raises these by 10 mm.

**Scope of delivery:**  
Intermediate frame, mounted seal, 6 screws

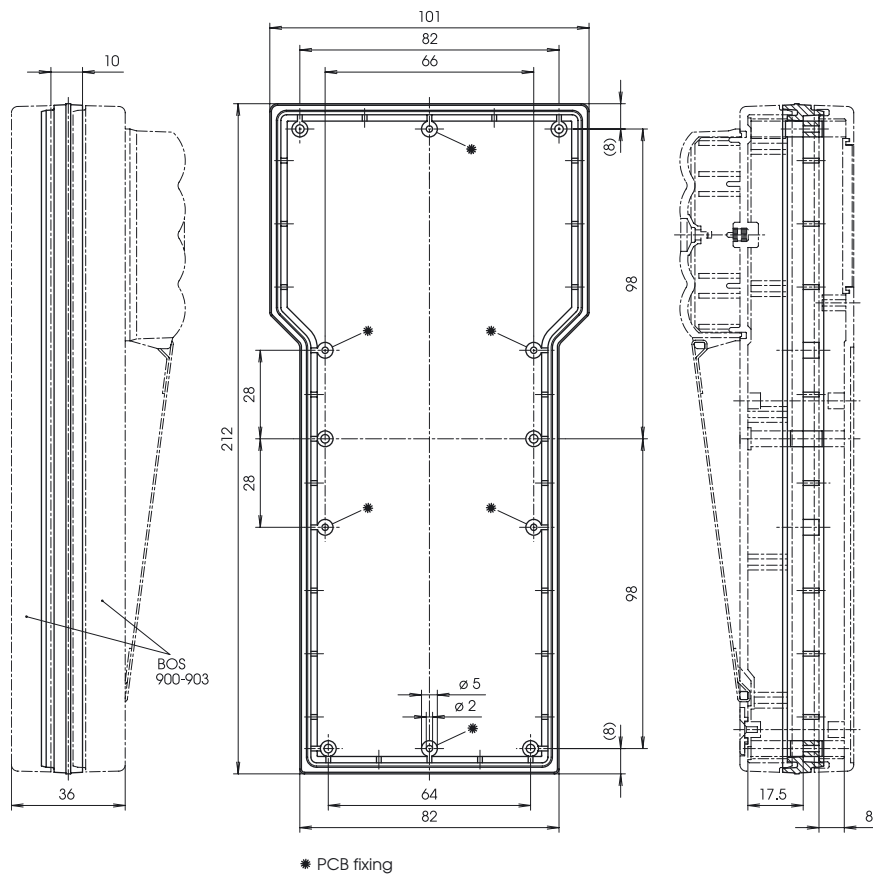
Special screws can be ordered if two intermediate frames are to be used.

This intermediate frame also has bosses for the fitting of a PCB.



STD 900

Z-2800670



ZR 900

Z-2800722

\* PCB fixing

# BOS 910



BOS 910 for display  
128 x 64 dots.

## BOS 910

### Order designation

	Black	Agate grey	
<b>Model</b>	<b>Order no.</b>	<b>Order no.</b>	<b>Type</b>
BOS 910	34910009	34910002	Without battery compartment

**External dim.:** L 224 x W 106 x H 40 mm  
**Key area:** L 131.6 x W 75.1 x D 1 mm  
**Ingress protection:** IP 65 (with glued-in display screen)

### Scope of delivery:

Lid with seal, base, self-tapping screws, display screen (enclosed unfitted), purpose-designed for printing, etc.  
 Display screen can be glued in on request (prices on application).

### Accessories:

Table stand STD 900  
 see page 522;  
 display adapter set ADS 910-I,  
 display adapter set ADS 910-II,  
 display adapter set ADS 910-III  
 see page 522.

## BOS 911

### Order designation

	Black	Agate grey	
<b>Model</b>	<b>Order no.</b>	<b>Order no.</b>	<b>Type</b>
BOS 911	34911009	34911000	Without battery compartment

**External dim.:** L 224 x W 106 x H 40 mm  
**Keypad area:** L 131.6 x W 75.1 x D 1 mm  
**Ingress protection:** IP 65 (with glued-in display screen)

### Scope of delivery:

Lid with seal, base, self-tapping screws, set-up foot, display screen (enclosed unfitted), purpose-designed for printing, etc.  
 Display screen can be glued in on request (prices on application).

### Accessories:

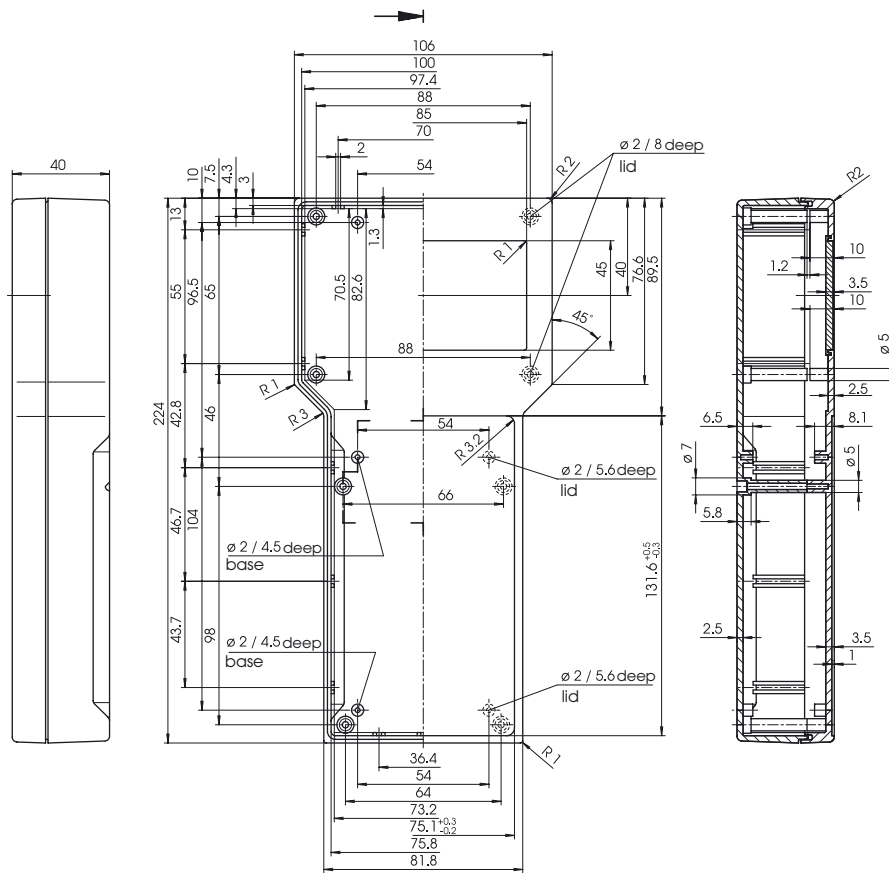
Table stand STD 900  
 see page 522;  
 display adapter set ADS 910-I,  
 display adapter set ADS 910-II,  
 display adapter set ADS 910-III  
 see page 522.



BOS 911 for display  
128 x 64 dots.  
Same lid view as BOS 910.

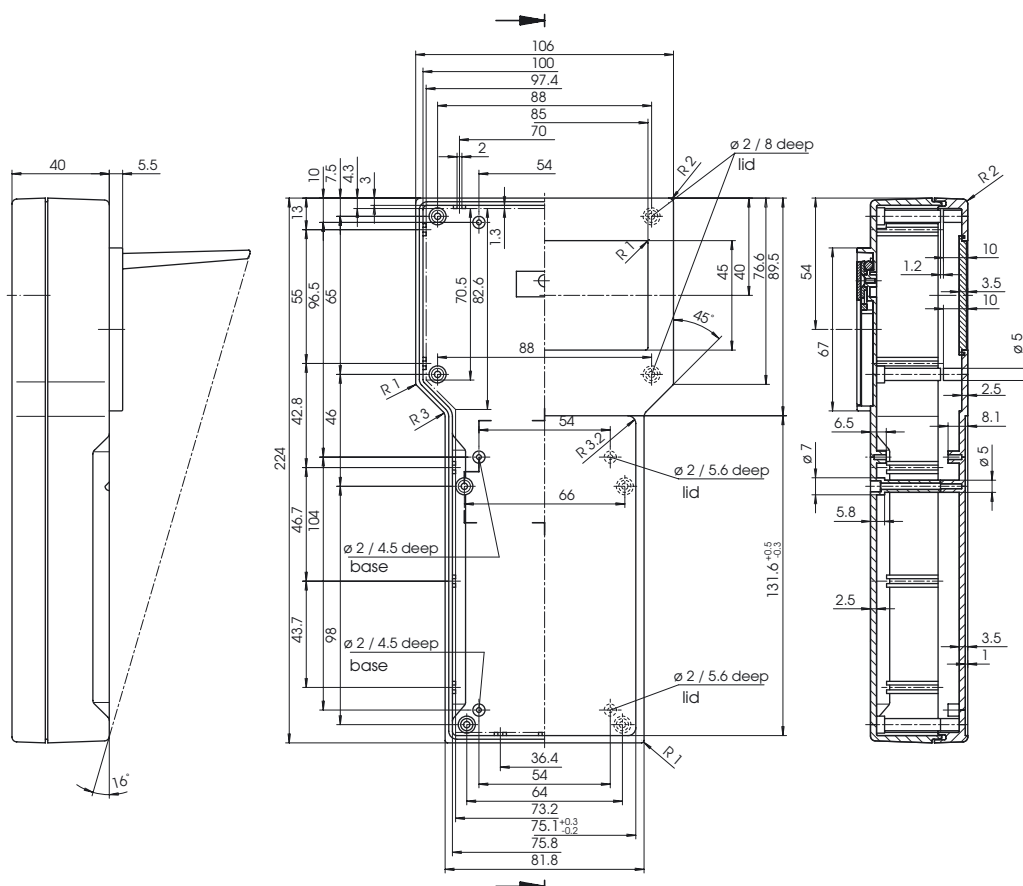


### BOS 910



Z-2801162

### BOS 911



Z-2801163

# BOS 910



BOS 912 for display  
128 x 64 dots.  
Same lid view  
as BOS 910.



## BOS 912

### Order designation

	Black	Agate grey		
Model	Order no.	Order no.	Type	Bat. comp.
BOS 912	34912009	34912000	With battery comp.	4 mignons

**Key area:** L 131.6 x W 75.1 x D 1 mm  
**Ingress protection:** IP 65 (with glued-in display screen)

### Scope of delivery:

Lid with seal, base with battery compartment incl. contacts, self-tapping screws, display screen (enclosed unfitted), purpose-designed for printing, etc.  
Display screen can be glued in on request (prices on application).

### Accessories:

Table stand STD 900 see page 522;  
display adapter set ADS 910-I,  
display adapter set ADS 910-II,  
display adapter set ADS 910-III  
see page 522.

## BOS 913

### Order designation

	Black	Agate grey <sub>≤</sub>		
Model	Order no.	Order no.	Type	Bat. comp.
BOS 913	34913009*	34913000	With battery comp.	2 x 9V block

**Key area:** L 131.6 x W 75.1 x D 1 mm  
**Ingress protection:** IP 65 (with glued-in display screen)

### Scope of delivery:

Lid with seal, base with battery compartment, self-tapping screws, display screen (enclosed unfitted), purpose-designed for printing, etc.  
Display screen can be glued in on request (prices on application).

### Accessories:

Table stand STD 900 see page 522;  
display adapter set ADS 910-I,  
display adapter set ADS 910-II,  
display adapter set ADS 910-III  
see page 522.

\* available on request



BOS 913 for display  
128 x 64 dots.  
Same lid view  
as BOS 910.



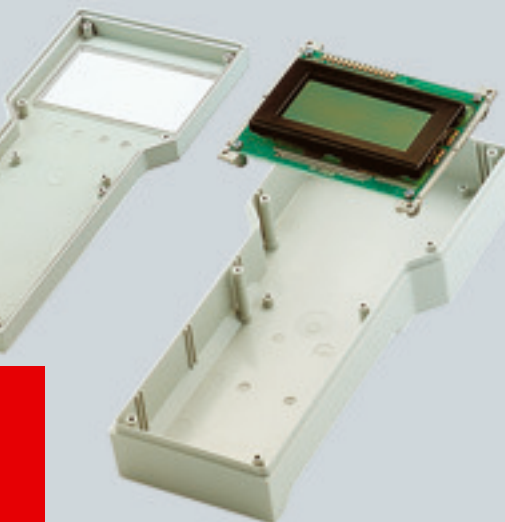




# BOS 910 accessories



STD 900



ADS 910

## Table stand STD 900

### Order designation

	Black	Agate grey	
<b>Model</b>	<b>Order no.</b>	<b>Order no.</b>	<b>Type</b>
STD 900	34900029*	34900002	Table stand

**Ext. dim.:** L 211 x W 100 x H 111 mm  
**Ingress protection:** IP 40

### Scope of delivery:

Lid, base, screws

This table stand is suitable for use as

- unit stand
- charging station
- data transfer unit

(for all BOS 900 - 903 and 910 - 913).

\* available on request

Electronic PCBs can be fitted on two levels, i.e. one parallel to the lid, one parallel to the base. The following variants can be created by turning the enclosure or the lid respectively:

- flat table position
- angled table position
- wall fitting

## Adapter ADS 910 for graphic-type displays

### Order designation

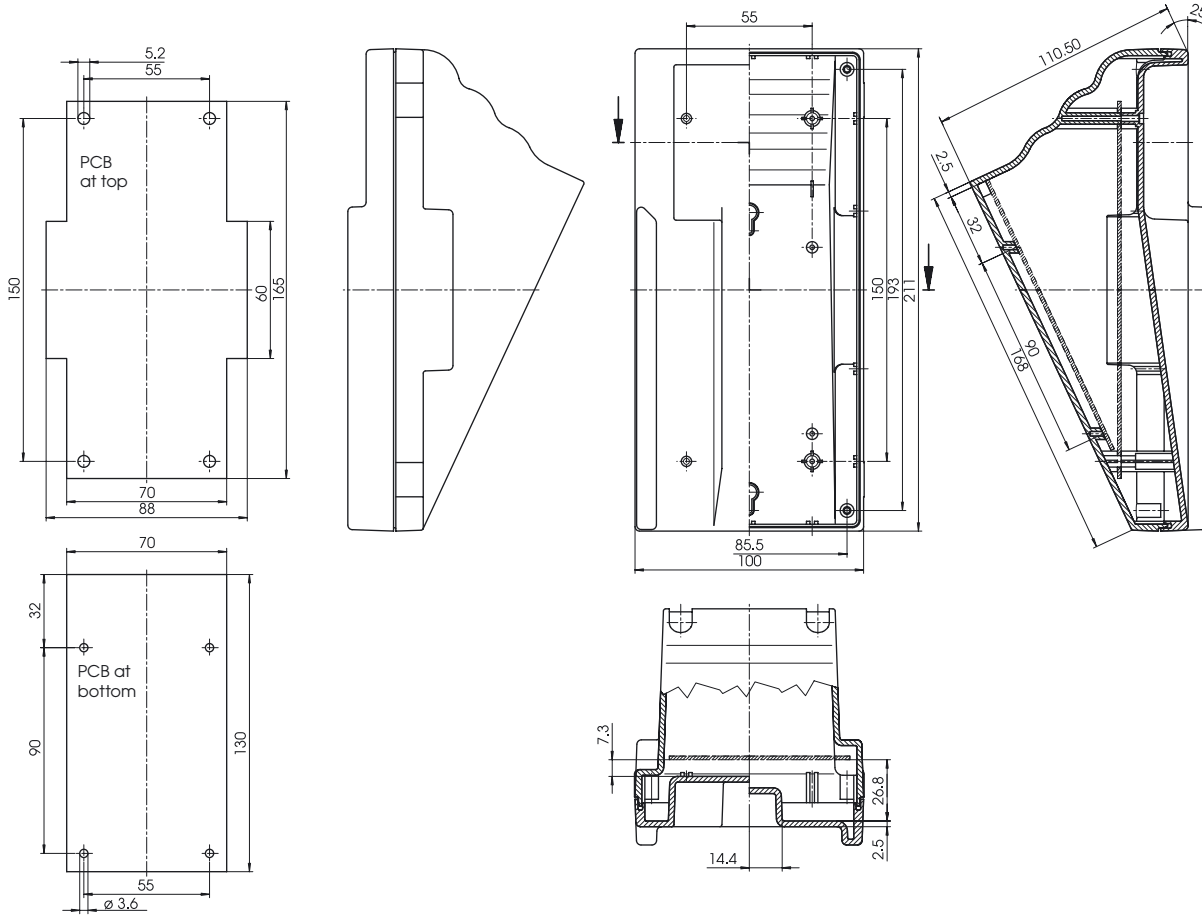
Model	Order no.	Type	Display fitting dimensions
ADS 910-I	34913001	Adapter for graphic-type displays 128 x 64 dots	77 x 60.00
ADS 910-II	34913002	Adapter for graphic-type displays 128 x 64 dots	68 x 64.92
ADS 910-III	34913003	Adapter for display 16 characters, 4 lines	82 x 55.00

For use with BOS 910 - 913

**Matching displays on request!**

### Scope of delivery:

2 plastic parts  
4 screws



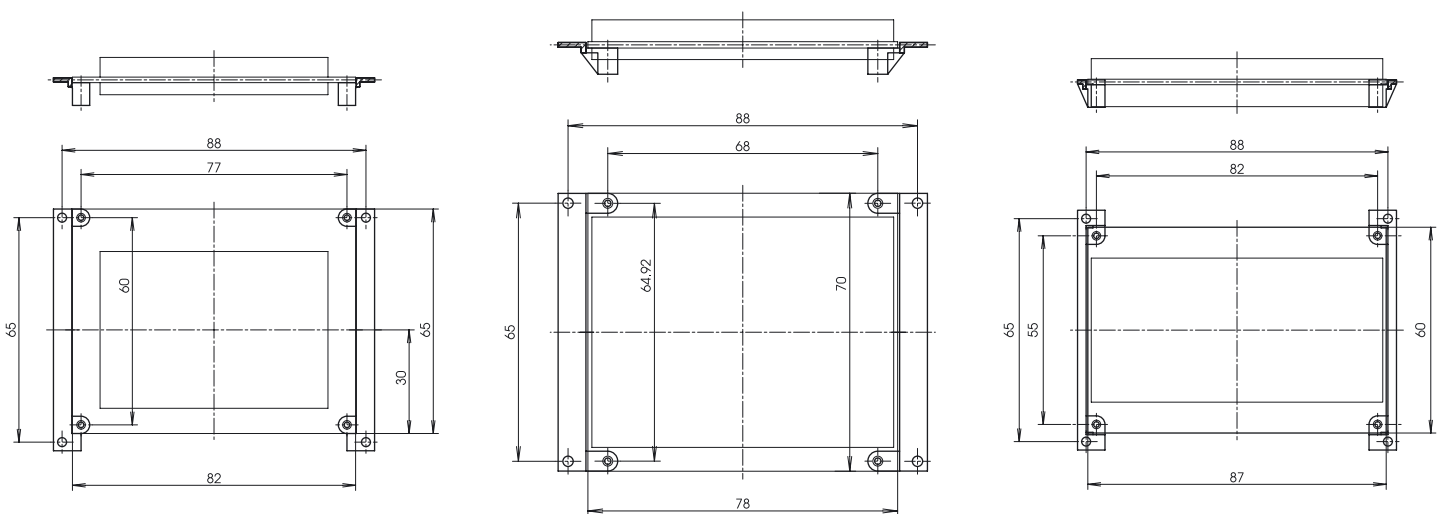
STD 900

Z-2800670

ADS 910-I

ADS 910-II

ADS 910-III



Z-2801444

Z-2801445

Z-2801446