

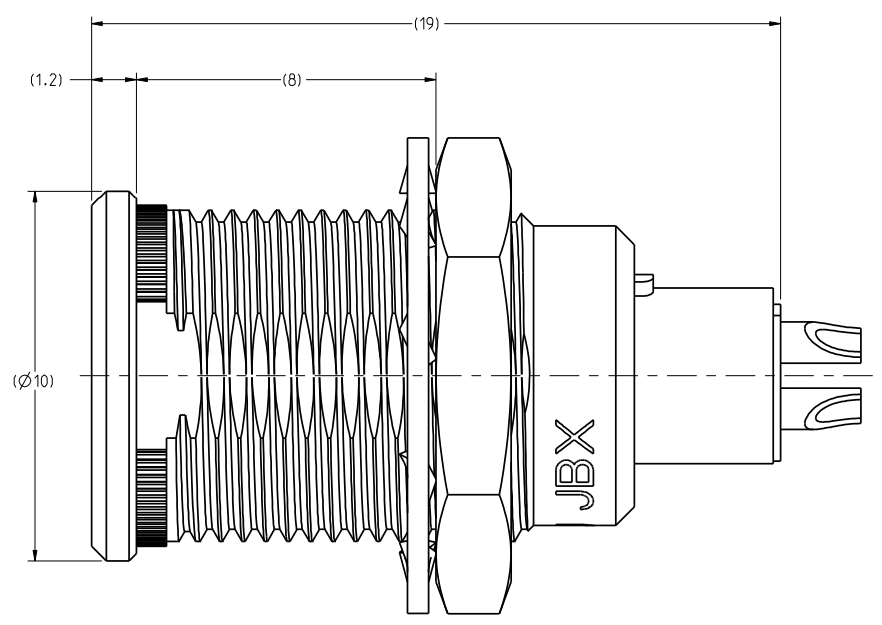
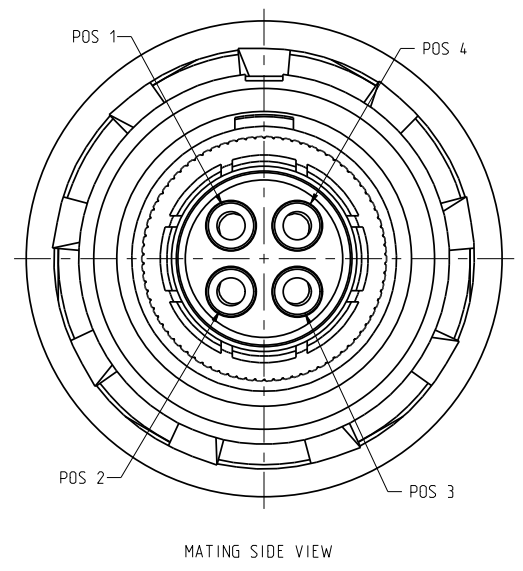
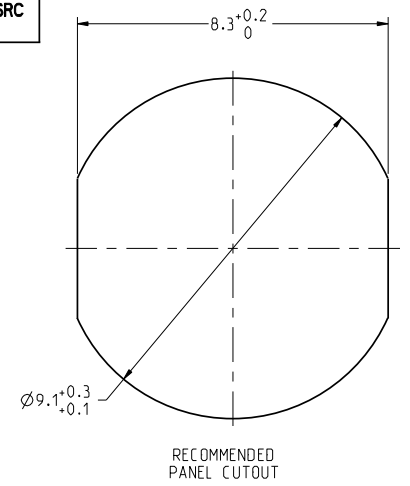
THIS DRAWING IS A CONTROLLED DOCUMENT FOR SOURIAU USA, INC. CONTACT THE DOCUMENT CONTROL CENTER FOR THE LATEST REVISION.

C

B

THE INFORMATION CONTAINED IN THIS DRAWING IS CONFIDENTIAL AND MAY NOT BE DISCLOSED WITHOUT WRITTEN CONSENT FROM SOURIAU USA, INC.

DWG. NO.
JBXEROG04FSSDSRC



SCALE 4:1

NOTES:

1 RED BAND.

MATERIAL:

OUTER SHELL :
SHIELDING RING :
NUT : } BRASS CuZn40Pb3 (C38500/C36000)

SOCKET CONTACT (SOLDER) : CUPRO-NICKEL CuNi1Pb1P (CDAC 19150)

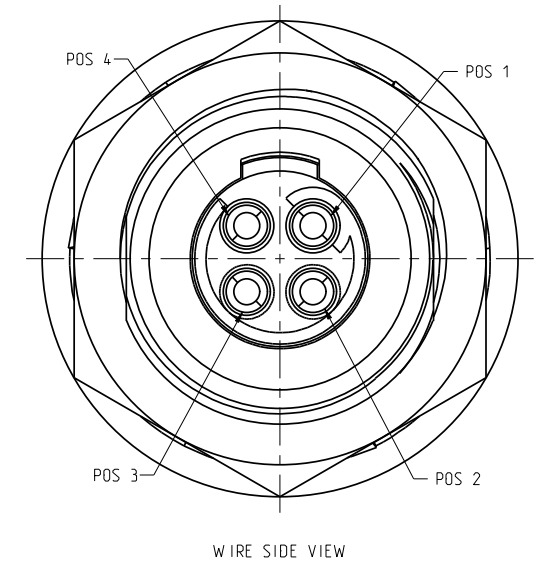
INSULATOR : PEEK WITH 15% GLASS FILLED, COLOR BROWN

FINISH:

OUTER SHELL : CHROME OVER NICKEL UNDERCOAT

OTHER BRASS PARTS
EXCEPT SOCKET CONTACTS : NICKEL

SOCKET CONTACTS : GOLD AS PER MIL-G-45204C TYPE 1, CLASS 00.



D

C

B

A

A	RELEASED PER ECN 11345	SSF 01-18-11	SDH 01-18-11
REV	DESCRIPTION	BY DATE	CHKD DATE

DRAWING TITLE
JBX, SIZE O, 4 POSITION, ER RECEPTACLE

CAT NO. **JBXEROG04FSSDSR**

CAGE NO: 09922 SIZE: C

LINEAR MEASURE:	(INCH) (MM)
THIRD ANGLE PROJECTION	
TOLERANCES UNLESS OTHERWISE SPECIFIED	
No. OF PLACES	mm (INCH)
WHOLE No.	±0.5 (±.02)
ONE PLACE	±0.2 (±.008)
TWO PLACES	±0.1 (±.004)
ANGLES ±1°	

CUSTOMER



www.souriau.com

INTERPRET THIS DRAWING IN ACCORDANCE WITH ASME Y14.5M - 1994.

DRAWN:	RK0	01-10-11
CHKD:	TW	01-10-11
DSGN:	XXX	mm-dd-yy
MFG:	DH	01-10-11
QC:	DK	01-10-11

DRAWING SCALE: 8:1	
DRAWING NO.	REV
JBXEROG04FSSDSRC	A

1 OF 2

4

3

2

1

PRO-E

DWG. NO.
JBXEROG04FSSDSRC

THIS DRAWING IS A CONTROLLED DOCUMENT FOR SOURIAU USA, INC. CONTACT THE DOCUMENT CONTROL CENTER FOR THE LATEST REVISION.

C

B

THE INFORMATION CONTAINED IN THIS DRAWING IS CONFIDENTIAL AND MAY NOT BE DISCLOSED WITHOUT WRITTEN CONSENT FROM SOURIAU USA, INC.

ELECTRICAL:

EMI SHIELDING : SHIELDED FOR THE RANGE 55dB UP TO 100MHZ

INSULATION RESISTANCE : >500M Ω PER ANSI-EIA-364-D METHOD 21

MAX. CURRENT RATING : (SEE TABLE 1)
MAXIMUM CURRENT THAT CAN BE APPLIED SIMULTANEOUSLY ON EACH LINE OF THE CONNECTOR MATED PAIR, CONTINUOUSLY DURING ITS LIFE TIME IN NORMAL CLIMATIC CONDITIONS.

CONNECTOR TESTING : 1400Vrms
VOLTAGE TEST VOLTAGE IS APPROXIMATELY 75% OF THE DWV VOLTAGE AT NORMAL CLIMATIC CONDITIONS. THIS VOLTAGE CAN BE ACHIEVED SEVERAL TIMES, BUT NOT APPLIED CONTINUOUSLY.

CONNECTOR WORKING : 600/460 (Vdc/ Vrms)
VOLTAGE WORKING VOLTAGE IS APPROXIMATELY 1/3 OF THE TEST VOLTAGE. THIS VOLTAGE IS SUSTAINABLE FOR THE LIFE OF THE CONNECTOR IN ITS WORKING ENVIRONMENT.

PHYSICAL:
MAXIMUM WIRE SIZE USED : 26 AWG

ENVIRONMENTAL:

ENDURANCE: 1000 CYCLES AS PER MIL-STD 1344A, METHOD 2016.1

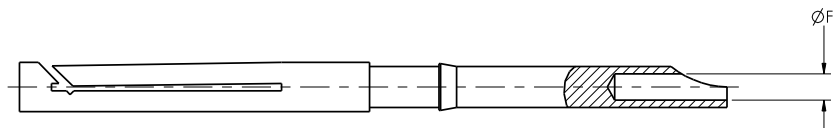
SHOCK: 50 g , DURATION 6 ms; AS PER MIL-STD 1344A, METHOD 2004.1

VIBRATIONS: 10 TO 2000Hz γ = 15g, AS PER MIL-STD 1344A, METHOD 2005.1

PROTECTION INDEX: IP 40 AS PER CEI 529

OPERATING TEMPERATURE: -55°C TO +200°C (-67°F TO +392°F)

SOCKET CONTACT



CONTACT		USABLE CABLES			MAX. CURRENT RATING (A)	CONTACT RESISTANCE (m Ω)
ØC	ØF	CORE SECTION (mm ²)		AWG		
		MIN.	MAX.			
-	0.63	-	0.15	26	7	5

DRAWING TITLE JBX, SIZE 0, 4 POSITION, ER RECEPTACLE			
CAT NO. JBXEROG04FSSDSR			
CAGE NO: 09922		SIZE: C	
CUSTOMER		 SOURIAU Connection Technology www.souriau.com	
INTERPRET THIS DRAWING IN ACCORDANCE WITH ASME Y14.5M - 1994.		APPROVAL DRAWN: RKO 01-10-11 CHKD: TW 01-10-11 DSGN: XXX mm-dd-yy MFG: DH 01-10-11 QC: DK 01-10-11 DRAWING SCALE: 8:1 DRAWING NO. REV JBXEROG04FSSDSRC A 2 OF 2	

D

C

B

A

4

3

2

1

PRO-E