



RabbitCore RCM3750

C-Programmable Core Module
with Ethernet, Serial Flash, and Enhanced Software

User's Manual

019-0149 • 070831-E

RabbitCore RCM3750 User's Manual

Part Number 019-0149 • 070831-E • Printed in U.S.A.

©2005–2007 Rabbit Semiconductor Inc. • All rights reserved.

No part of the contents of this manual may be reproduced or transmitted in any form or by any means without the express written permission of Rabbit Semiconductor.

Permission is granted to make one or more copies as long as the copyright page contained therein is included. These copies of the manuals may not be let or sold for any reason without the express written permission of Rabbit Semiconductor.

Rabbit Semiconductor reserves the right to make changes and improvements to its products without providing notice.

Trademarks

Rabbit and Dynamic C are registered trademarks of Rabbit Semiconductor Inc.

Rabbit 3000 and RabbitCore are trademarks of Rabbit Semiconductor Inc.

The latest revision of this manual is available on the Rabbit Semiconductor Web site, www.rabbit.com, for free, unregistered download.

Rabbit Semiconductor Inc.

www.rabbit.com

TABLE OF CONTENTS

Chapter 1. Introduction	1
1.1 RCM3750 Features	1
1.2 Advantages of the RCM3750	3
1.3 Development and Evaluation Tools.....	4
1.3.1 Development Kit	4
1.3.2 Software	5
1.3.3 Application Kits	5
1.3.4 802.11b Wi-Fi Add-On Kit.....	5
1.3.5 Online Documentation	6
Chapter 2. Getting Started	7
2.1 Install Dynamic C	7
2.2 Hardware Connections.....	8
2.2.1 Attach Module to Prototyping Board.....	8
2.2.2 Connect Programming Cable	9
2.2.3 Connect Power	10
2.2.3.1 Overseas Development Kits	10
2.3 Starting Dynamic C	11
2.4 Run a Sample Program	11
2.4.1 Troubleshooting	11
2.5 Where Do I Go From Here?	12
2.5.1 Technical Support	12
Chapter 3. Running Sample Programs	13
3.1 Introduction.....	13
3.2 Sample Programs	15
3.2.1 Use of Serial Flash	17
3.2.2 Serial Communication.....	17
3.2.3 A/D Converter Inputs	19
Chapter 4. Hardware Reference	21
4.1 RCM3750 Digital Inputs and Outputs	22
4.1.1 Memory I/O Interface	26
4.1.2 Other Inputs and Outputs	26
4.2 Serial Communication	27
4.2.1 Serial Ports	27
4.2.2 Ethernet Port	28
4.2.3 Serial Programming Port.....	28
4.3 Serial Programming Cable	30
4.3.1 Changing Between Program Mode and Run Mode	30
4.3.2 Standalone Operation of the RCM3750.....	31
4.4 Other Hardware.....	32
4.4.1 Clock Doubler	32
4.4.2 Spectrum Spreader	32

4.5 Memory	33
4.5.1 SRAM.....	33
4.5.2 Flash EPROM.....	33
4.5.3 Serial Flash	33
4.5.4 Dynamic C BIOS Source Files.....	33
Chapter 5. Software Reference	35
5.1 More About Dynamic C.....	35
5.2 Dynamic C Functions.....	37
5.2.1 Board Initialization	38
5.2.2 Analog Inputs	39
5.2.3 Digital I/O.....	55
5.2.4 Serial Communication Drivers	56
5.2.5 TCP/IP Drivers	56
5.3 Upgrading Dynamic C	57
5.3.1 Add-On Modules	57
5.3.1.1 Featured Application Kit	57
Chapter 6. Using the TCP/IP Features	59
6.1 TCP/IP Connections.....	59
6.2 TCP/IP Primer on IP Addresses	61
6.2.1 IP Addresses Explained.....	63
6.2.2 How IP Addresses are Used	64
6.2.3 Dynamically Assigned Internet Addresses.....	65
6.3 Placing Your Device on the Network	66
6.4 Running TCP/IP Sample Programs.....	67
6.4.1 How to Set IP Addresses in the Sample Programs.....	68
6.4.2 How to Set Up your Computer for Direct Connect.....	69
6.5 Run the PINGME.C Sample Program.....	70
6.6 Running Additional Sample Programs With Direct Connect	70
6.6.1 RabbitWeb Sample Programs.....	71
6.6.2 Secure Sockets Layer (SSL) Sample Programs.....	72
6.6.3 Dynamic C FAT File System, RabbitWeb, and SSL Modules	72
6.7 Where Do I Go From Here?.....	74
Appendix A. RCM3750 Specifications	75
A.1 Electrical and Mechanical Characteristics	76
A.1.1 Headers	79
A.2 Bus Loading	80
A.3 Rabbit 3000 DC Characteristics	83
A.4 I/O Buffer Sourcing and Sinking Limit.....	84
A.5 Conformal Coating	85
A.6 Jumper Configurations	86
Appendix B. Prototyping Board	87
B.1 RCM3700 Prototyping Board.....	88
B.1.1 Features	89
B.1.2 Mechanical Dimensions and Layout.....	91
B.1.3 Power Supply	92
B.1.4 Using the RCM3700 Prototyping Board	93
B.1.4.1 Adding Other Components	94
B.1.5 Analog Features	95
B.1.5.1 A/D Converter Inputs.....	95
B.1.5.2 Thermistor Input	97
B.1.5.3 Other A/D Converter Features	98
B.1.5.4 A/D Converter Calibration.....	99

B.1.6	Serial Communication	100
B.1.6.1	RS-232	101
B.1.6.2	RS-485	102
B.1.7	Other Prototyping Board Modules	104
B.1.8	Jumper Configurations	105
B.1.9	Use of Rabbit 3000 Parallel Ports	107
B.2	RCM3720 Prototyping Board	109
B.2.1	Features	110
B.2.2	Mechanical Dimensions and Layout	111
B.2.3	Power Supply	112
B.2.4	Using the RCM3720 Prototyping Board	113
B.2.4.1	Prototyping Area	115
B.2.5	Serial Communication	116
B.2.6	Use of Rabbit 3000 Parallel Ports	118
 Appendix C. LCD/Keypad Module		121
C.1	Specifications	121
C.2	Contrast Adjustments for All Boards	123
C.3	Keypad Labeling	124
C.4	Header Pinouts	125
C.4.1	I/O Address Assignments	125
C.5	Install Connectors on Prototyping Board	126
C.6	Mounting LCD/Keypad Module on the Prototyping Board	127
C.7	Bezel-Mount Installation	128
C.7.1	Connect the LCD/Keypad Module to Your Prototyping Board	130
C.8	Sample Programs	131
C.9	LCD/Keypad Module Function Calls	132
C.9.1	LCD/Keypad Module Initialization	132
C.9.2	LEDs	132
C.9.3	LCD Display	133
C.9.4	Keypad	153
 Appendix D. Power Supply		157
D.1	Power Supplies	157
D.1.1	RCM3750	157
D.1.2	Battery-Backup Circuits	158
D.1.3	Reset Generator	158
 Appendix E. Secure Embedded Web Application Kit		159
E.1	Sample Programs	160
E.2	Module Documentation	160
 Index		161
 Schematics		165

1. INTRODUCTION

The RCM3750 is a compact module that incorporates the latest revision of the powerful Rabbit® 3000 microprocessor, flash memory, onboard serial flash, static RAM, and digital I/O ports. The RCM3750 features an integrated 10/100Base-T Ethernet port that provides for LAN and Internet-enabled systems.

Throughout this manual, the term RCM3700 refers to the complete line of RCM3700 RabbitCore modules, and includes the RCM3750 unless other production models are referred to specifically.

The RCM3750 has a Rabbit 3000 microprocessor operating at 22.1 MHz, static RAM, flash memory, two clocks (main oscillator and real-time clock), and the circuitry necessary for reset and management of battery backup of the Rabbit 3000's internal real-time clock and the static RAM. One 40-pin header brings out the Rabbit 3000 I/O bus lines, parallel ports, and serial ports.

The RCM3750 receives regulated DC power from the customer-supplied motherboard on which it is mounted. The RCM3750 can interface with all kinds of CMOS-compatible digital devices through the motherboard.

The Development Kit and the Ethernet Connection Kit have what you need to design your own microprocessor-based system: a complete Dynamic C® software development system with optional modules and a Prototyping Board that allows you to evaluate the RCM3750 and to prototype circuits that interface to the RCM3750 module.

1.1 RCM3750 Features

- Small size: 1.20" x 2.95" x 0.89"
(30 mm x 75 mm x 23 mm)
- Microprocessor: latest revision of Rabbit 3000 running at 22.1 MHz supports Dynamic C Secure Sockets Layer (SSL) module for added security
- 33 parallel 5 V tolerant I/O lines: 31 configurable for I/O, 2 fixed outputs
- External reset I/O
- Alternate I/O bus can be configured for 8 data lines and 5 address lines (shared with parallel I/O lines), I/O read/write
- Ten 8-bit timers (six cascadable) and one 10-bit timer with two match registers

- 10/100Base-T RJ-45 Ethernet port
- 512K flash memory and 512K SRAM (options for 256K flash memory and 128K SRAM)
- 1 Mbyte serial flash memory, which is required to run the optional Dynamic C FAT file system
- Real-time clock
- Watchdog supervisor
- Provision for customer-supplied backup battery via connections on header J1
- 10-bit free-running PWM counter and four pulse-width registers
- Two-channel Input Capture can be used to time input signals from various port pins
- Two-channel Quadrature Decoder accepts inputs from external incremental encoder modules
- Four available 3.3 V CMOS-compatible serial ports: maximum asynchronous baud rate of 2.76 Mbps. Three ports are configurable as a clocked serial port (SPI), and one port is configurable as an HDLC serial port. Shared connections to the Rabbit microprocessor make a second HDLC serial port available at the expense of two of the SPI configurable ports, giving you two HDLC ports and one asynchronous/SPI serial port.
- Supports 1.15 Mbps IrDA transceiver

Table 1 below summarizes their main features of the RCM3750.

Table 1. RCM3750 Features

Feature	RCM3750
Microprocessor	Rabbit® 3000 running at 22.1 MHz
Flash Memory	512K
SRAM	512K
Serial Flash Memory	1 Mbyte
Serial Ports	4 shared high-speed, 3.3 V CMOS-compatible ports: all 4 are configurable as asynchronous serial ports; 3 are configurable as a clocked serial port (SPI) and 1 is configurable as an HDLC serial port; option for second HDLC serial port at the expense of 2 clocked serial ports (SPI)
Input Voltage	4.75–5.25 V DC @ 175 mA

The RCM3750 is programmed over a standard PC serial port through a programming cable supplied with the Development Kit, and can also be programed through a USB port with an RS-232/USB converter or over an Ethernet with the RabbitLink (both available from Rabbit Semiconductor).

Appendix A provides detailed specifications for the RCM3750.

1.2 Advantages of the RCM3750

- Fast time to market using a fully engineered, “ready-to-run/ready-to-program” micro-processor core.
- Competitive pricing when compared with the alternative of purchasing and assembling individual components.
- Easy C-language program development and debugging
- Program download utility (Rabbit Field Utility) and cloning board options for rapid production loading of programs.
- Generous memory size allows large programs with tens of thousands of lines of code, and substantial data storage.
- Integrated Ethernet port for network connectivity, with royalty-free TCP/IP software.
- Ideal for network-enabling security and access systems, home automation, HVAC systems, and industrial controls

1.3 Development and Evaluation Tools

1.3.1 Development Kit

The Development Kit contains the hardware and software needed to use the RCM3750.

- RCM3750 module.
- RCM3700 Prototyping Board.
- AC adapter, 12 V DC, 1 A (included only with Development Kits sold for the North American market). A header plug leading to bare leads is provided to allow overseas users to connect their own power supply with a DC output of 7.5–30 V.)
- Programming cable with 10-pin header and DB9 connections, and integrated level-matching circuitry.
- Cable kits to access RS-485 and analog input connectors on Prototyping Board.
- *Dynamic C* CD-ROM, with complete product documentation on disk.
- *Getting Started* instructions.
- Accessory parts for use on the Prototyping Board.
- *Rabbit 3000 Processor Easy Reference* poster.
- Registration card.

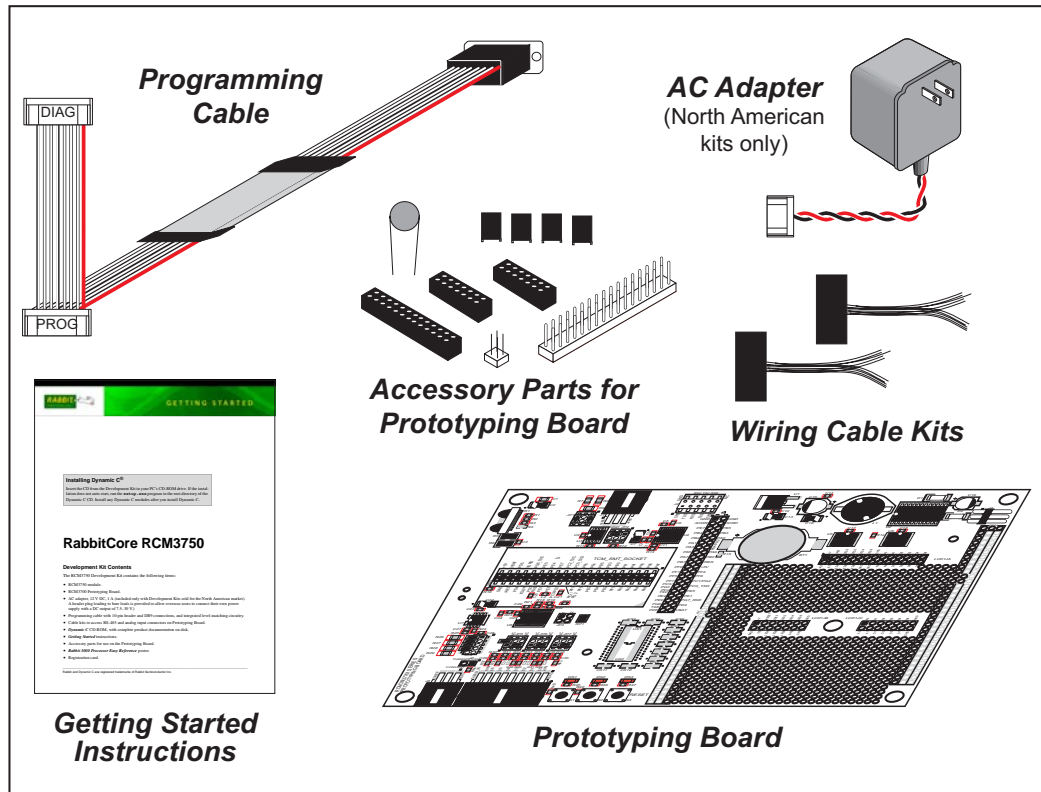


Figure 1. RCM3750 Development Kit

1.3.2 Software

The RCM3750 is programmed using version 0.24 or later of Dynamic C.

Rabbit Semiconductor also offers for sale other add-on Dynamic C modules including the popular μ C/OS-II real-time operating system, as well as point-to-point protocol (PPP), Advanced Encryption Standard (AES), and other select libraries. In addition to the Web-based technical support included at no extra charge, a one-year telephone-based technical support module is also available for purchase. Visit our Web site at www.rabbit.com or contact your Rabbit Semiconductor sales representative or authorized distributor for further information.

1.3.3 Application Kits

Rabbit Semiconductor also has application kits featuring the RCM3700 to provide the exact software and other tools that will enable to tailor your RCM3700 or RCM3750 for specific applications.

- Secure Embedded Web Application Kit [Part No. 101-0897 (North American markets) and Part No. 101-0898 (overseas markets)]—comes with three CD-ROMs that have the Dynamic C RabbitWeb, FAT File System, and Secure Sockets Layer (SSL) modules, and includes Dynamic C 8.51 or a later version and an RCM3700. This enhanced software bundle facilitates the rapid development of secure Web browser interfaces for embedded system control. Appendix E provides additional information about the Secure Embedded Web Application Kit.
- Ethernet Connection Kit [Part No. 101-0963 (North American markets) and Part No. 101-0964 (overseas markets)]—comes with one CD-ROM that includes Dynamic C 9.01 or a later version, an RCM3720 module, and an RCM3720 Prototyping Board. This kit is intended to demonstrate and help you develop Ethernet-based applications.

Visit our Web site at www.rabbit.com or contact your Rabbit Semiconductor sales representative or authorized distributor for further information.

1.3.4 802.11b Wi-Fi Add-On Kit

Rabbit Semiconductor also offers a Wi-Fi Add-On Kit (Part No. 101-0999) for the full line of RCM3700 modules, including the RCM3750. This Wi-Fi Add-On Kit consists of an RCM3600–RCM3700 Interposer Board, a Wi-Fi CompactFlash card with a CompactFlash Wi-Fi Board, a ribbon interconnecting cable, and the software drivers and sample programs to help you enable the full line of RCM3700 modules with Wi-Fi capabilities. The RCM3600–RCM3700 Interposer Board is placed between the RCM3750 module and the Prototyping Board so that the CompactFlash Wi-Fi Board, which holds the Wi-Fi CompactFlash card, can be connected to the RCM3750-based system via the ribbon cable provided.

Visit our Web site at www.rabbit.com or contact your Rabbit Semiconductor sales representative or authorized distributor for further information.

1.3.5 Online Documentation

The online documentation is installed along with Dynamic C, and an icon for the documentation menu is placed on the workstation's desktop. Double-click this icon to reach the menu. If the icon is missing, use your browser to find and load **default.htm** in the **docs** folder, found in the Dynamic C installation folder.

Each Dynamic C module has complete documentation available with the online documentation described above.

The latest versions of all documents are always available for free, unregistered download from our Web sites as well.

2. GETTING STARTED

This chapter describes the RCM3750 hardware in more detail, and explains how to set up and use the accompanying Prototyping Board.

NOTE: It is assumed that you have the RCM3750 Development Kit. If you purchased an RCM3750 module by itself, you will have to adapt the information in this chapter and elsewhere to your test and development setup.

2.1 Install Dynamic C

To develop and debug programs for the RCM3750 (and for all other Rabbit Semiconductor hardware), you must install and use Dynamic C.

If you have not yet installed Dynamic C version 0.24 (or a later version), do so now by inserting the Dynamic C CD from the RCM3750 Development Kit in your PC's CD-ROM drive. If autorun is enabled, the CD installation will begin automatically.

If autorun is disabled or the installation otherwise does not start, use the Windows **Start | Run** menu or Windows Disk Explorer to launch **setup.exe** from the root folder of the CD-ROM.

The installation program will guide you through the installation process. Most steps of the process are self-explanatory.

Dynamic C uses a COM (serial) port to communicate with the target development system. The installation allows you to choose the COM port that will be used. The default selection is COM1. You may select any available port for Dynamic C's use. If you are not certain which port is available, select COM1. This selection can be changed later within Dynamic C.

NOTE: The installation utility does not check the selected COM port in any way. Specifying a port in use by another device (mouse, modem, etc.) may lead to a message such as "could not open serial port" when Dynamic C is started.

Once your installation is complete, you will have up to three new icons on your PC desktop. One icon is for Dynamic C, one opens the documentation menu, and the third is for the Rabbit Field Utility, a tool used to download precompiled software to a target system.

If you have purchased any of the optional Dynamic C modules, install them after installing Dynamic C. The modules may be installed in any order. You must install the modules in the same directory where Dynamic C was installed.

2.2 Hardware Connections

There are three steps to connecting the Prototyping Board for use with Dynamic C and the sample programs:

1. Attach the RCM3750 module to the Prototyping Board.
2. Connect the programming cable between the RCM3750 and the workstation PC.
3. Connect the power supply to the Prototyping Board.

The connections are shown for the RCM3700 Prototyping Board, and are similar for the RCM3720 Prototyping Board.

2.2.1 Attach Module to Prototyping Board

Turn the RCM3750 module so that the Ethernet jack is on the left as shown in Figure 2 below. Insert the module's J1 header into the TCM_SMT_SOCKET socket on the Prototyping Board. The shaded corner notch at the bottom right corner of the RCM3750 module should face the same direction as the corresponding notch below it on the Prototyping Board.

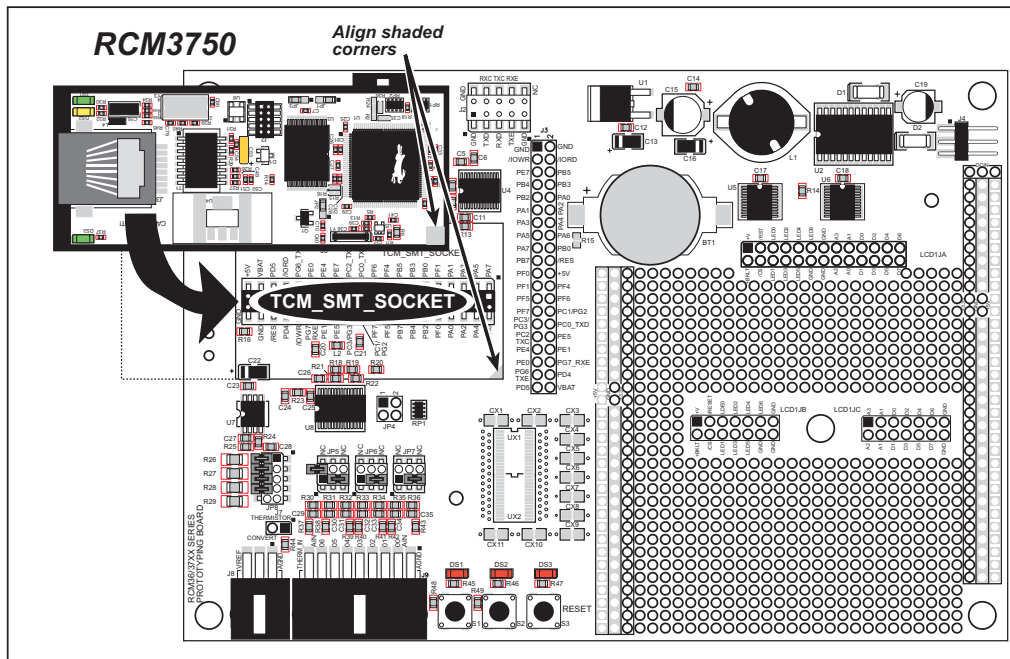


Figure 2. Install the RCM3750 Module on the Prototyping Board

NOTE: It is important that you line up the pins on header J1 of the RCM3750 module exactly with the corresponding pins of the TCM_SMT_SOCKET socket on the Prototyping Board. The header pins may become bent or damaged if the pin alignment is off-set, and the module will not work. Permanent electrical damage to the module may also result if a misaligned module is powered up.

Press the module's pins firmly into the Prototyping Board headers.

2.2.2 Connect Programming Cable

The programming cable connects the RCM3750 to the PC running Dynamic C to download programs and to monitor the RCM3750 module during debugging.

Connect the 10-pin connector of the programming cable labeled **PROG** to header J2 on the RCM3750 as shown in Figure 3. Be sure to orient the marked (usually red) edge of the cable towards pin 1 of the connector. (Do not use the **DIAG** connector, which is used for a normal serial connection.)

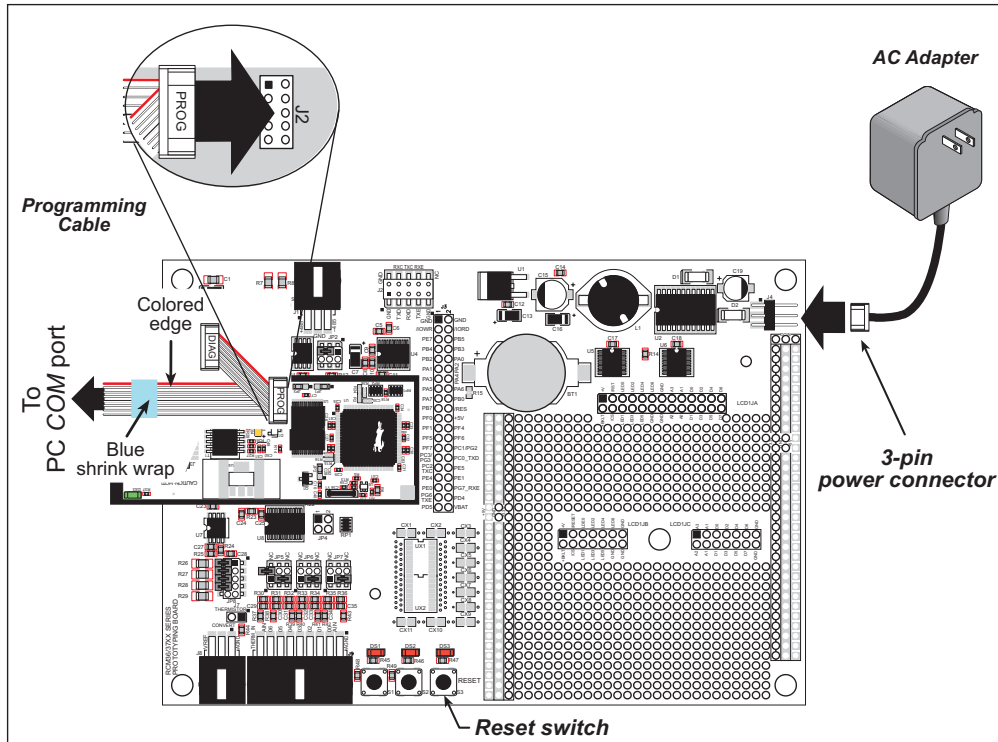


Figure 3. Connect Programming Cable and Power Supply

NOTE: Be sure to use the programming cable (part number 101-0542) supplied with this Development Kit—the programming cable has blue shrink wrap around the RS-232 converter section located in the middle of the cable. The simplified programming cable and adapter board that are supplied with the Ethernet Connection Kit may also be used as shown in the inset diagram above. Programming cables from other Rabbit Semiconductor kits are not designed to work with RCM3750 modules.

Connect the other end of the programming cable to a COM port on your PC.

NOTE: Some PCs now come equipped only with a USB port. It may be possible to use an RS-232/USB converter (Part No. 540-0070) with the programming cable supplied with the RCM3750 Development Kit. Note that not all RS-232/USB converters work with Dynamic C.

2.2.3 Connect Power

When all other connections have been made, you can connect power to the Prototyping Board. Connect the wall transformer to 3-pin header J4 on the Prototyping Board as shown in Figure 3. The connector may be attached either way as long as it is not offset to one side.

Plug in the wall transformer. The LED above the **RESET** button on the Prototyping Board should light up. The RCM3750 and the Prototyping Board are now ready to be used.

NOTE: A **RESET** button is provided on the Prototyping Board to allow a hardware reset without disconnecting power.

2.2.3.1 Overseas Development Kits

Development kits sold outside North America include a header connector that may be connected to 3-pin header J4 on the Prototyping Board. The connector may be attached either way as long as it is not offset to one side. The red and black wires from the connector can then be connected to the positive and negative connections on your power supply. The power supply should deliver 7.5 V–30 V DC at 5 W.

2.3 Starting Dynamic C

Once the RCM3750 is connected as described in the preceding pages, start Dynamic C by double-clicking on the Dynamic C icon or by double-clicking on **dcrab_XXXX.exe** in the Dynamic C root directory, where **XXXX** are version-specific characters. Dynamic C uses the serial port on your PC that you specified during installation.

If you are using a USB port to connect your computer to the RCM3750 module, choose **Options > Project Options** and select “Use USB to Serial Converter” under the **Communications** tab.

2.4 Run a Sample Program

Use the **File** menu to open the sample program **PONG.C**, which is in the Dynamic C **SAMPLES** folder. Press function key **F9** to compile and run the program. The **STDIO** window will open on your PC and will display a small square bouncing around in a box.

2.4.1 Troubleshooting

If a program compiles and loads, but then loses target communication before you can begin debugging, it is possible that your PC cannot handle the default debugging baud rate. Try lowering the debugging baud rate as follows.

- Locate the **Serial Options** dialog in the Dynamic C **Options > Project Options > Communications** menu. Choose a lower debug baud rate.

If there are any other problems:

- Check that the RCM3750 is powered correctly — the power LED above the **RESET** button on the Prototyping Board should be lit.
- Check to make sure you are using the **PROG** connector, not the **DIAG** connector, on the programming cable.
- Check both ends of the programming cable to ensure that they are firmly plugged into the PC and the programming port on the RCM3750.
- Ensure that the RCM3750 module is firmly and correctly installed in its connectors on the Prototyping Board.
- Select a different COM port within Dynamic C. From the **Options** menu, select **Project Options**, then select **Communications**. Select another COM port from the list, then click OK. Press **<Ctrl-Y>** to force Dynamic C to recompile the BIOS. If Dynamic C still reports it is unable to locate the target system, repeat the above steps until you locate the active COM port.

2.5 Where Do I Go From Here?

If the sample program ran fine, you are now ready to go on to other sample programs and to develop your own applications. The source code for the sample programs is provided to allow you to modify them for your own use. The *RCM3750 User's Manual* also provides complete hardware reference information and describes the software function calls for the RCM3750, the Prototyping Board, and the optional LCD/keypad module.

For advanced development topics, refer to the *Dynamic C User's Manual* and the *Dynamic C TCP/IP User's Manual*, also in the online documentation set.

2.5.1 Technical Support

NOTE: If you purchased your RCM3750 through a distributor or through a Rabbit Semiconductor partner, contact the distributor or partner first for technical support.

If there are any problems at this point:

- Use the Dynamic C **Help** menu to get further assistance with Dynamic C.
- Check the Rabbit Semiconductor Technical Bulletin Board at www.rabbit.com/support/bb/.
- Use the Technical Support e-mail form at www.rabbit.com/support/.

3. RUNNING SAMPLE PROGRAMS

To develop and debug programs for the RCM3750 (and for all other Rabbit Semiconductor hardware), you must install and use Dynamic C.

3.1 Introduction

To help familiarize you with the RCM3750 modules, Dynamic C includes several sample programs. Loading, executing and studying these programs will give you a solid hands-on overview of the RCM3750's capabilities, as well as a quick start with Dynamic C as an application development tool.

NOTE: The sample programs assume that you have at least an elementary grasp of the C programming language. If you do not, see the introductory pages of the *Dynamic C User's Manual* for a suggested reading list.

More complete information on Dynamic C is provided in the *Dynamic C User's Manual*.

In order to run the sample programs discussed in this chapter and elsewhere in this manual,

1. Your RCM3750 must be plugged in to the Prototyping Board as described in Chapter 2, "Getting Started."
2. Dynamic C must be installed and running on your PC.
3. The programming cable must connect the programming header on the Prototyping Board to your PC.
4. Power must be applied to the RCM3750 through the Prototyping Board.

Refer to Chapter 2, "Getting Started," if you need further information on these steps.

To run a sample program, open it with the **File** menu, then compile and run it by pressing **F9** or by selecting **Run** in the **Run** menu. The RCM3750 must be in Program Mode (see Figure 9 on page 30) and must be connected to a PC using the programming cable.

The default I/O configuration in the sample programs is based on the RabbitCore module detected during compile time:

- Any RCM3700 RabbitCore module (except the RCM3720) will have its I/O ports configured for an RCM3700 Prototyping Board.
- An RCM3720 RabbitCore module will have its I/O ports configured for an RCM3720 Prototyping Board.

You may override these default settings to run an RCM3720 RabbitCore module on the RCM3700 Prototyping Board or to run another RCM3700 RabbitCore module on the RCM3720 Prototyping Board by adding the following macro to the sample program you will be running.

- To run an RCM3720 RabbitCore module on an RCM3700 Prototyping Board, add the following macro at the top of the sample program you will be running.

```
#define RCM3700_PROTOBOARD
```

Sample programs that are specifically designed for the RCM3700 Prototyping Board already have this macro included.

- To run an RCM3700 RabbitCore module (other than the RCM3720) on an RCM3720 Prototyping Board, add the following macro at the top of the sample program you will be running.

```
#define RCM3720_PROTOBOARD
```

3.2 Sample Programs

Of the many sample programs included with Dynamic C, several are specific to the RCM3700 Prototyping Board. Sample programs illustrating the general operation of the RCM3750, serial communication, and the A/D converter on the Prototyping Board are provided in the **SAMPLES\RCM3700** and the **SAMPLES\RCM3720** folders as shown in the table below. The sample programs use the features available on the two Prototyping Boards.

Feature	RCM3700 Prototyping Board	RCM3720 Prototyping Board
Sample Program Folder	SAMPLES\RCM3700	SAMPLES\RCM3720
Digital I/O	×	×
IrDA Transceivers	×	
Serial Flash	×	×
Serial Communication	×	×
TCP/IP	×	×
A/D Converter	×	
LCD/Keypad Module	×	
Dynamic C FAT File System, RabbitWeb, SSL Modules	×	×

Each sample program has comments that describe the purpose and function of the program. Follow the instructions at the beginning of the sample program. Note that the RCM3750 must be installed on the Prototyping Board when using these sample programs.

TCP/IP sample programs are described in Chapter 6, “Using the TCP/IP Features.” Sample programs for the optional LCD/keypad module that is used on the RCM3700 Prototyping Board are described in Appendix C.

Additional sample programs are available online at www.rabbit.com/support/downloads/downloads_prod.shtml.

- **DIO.c**—Demonstrates the digital I/O capabilities of the A/D converter on the Prototyping Board by configuring two lines to outputs and two lines as inputs on Prototyping Board header JP4.

If you are using the RCM3700 Prototyping Board, install a 2 x 2 header at JP4 and connect pins 1–2 and pins 3–4 on header JP4 before running this sample program.

- **FLASHLED.c**—Demonstrates assembly-language program by flashing LEDs DS1 and DS2 on the Prototyping Board at different rates.
- **TOGGLESWITCH.c**—Uses costatements to detect switches using debouncing. The corresponding LEDs (DS1 and DS2) will turn on or off.

- **CONTROLLED.c**—Demonstrates use of the digital inputs by having you turn the LEDs on the Prototyping Board on or off from the **STDIO** window on your PC.

Once you compile and run **CONTROLLED.c**, the following display will appear in the Dynamic C **STDIO** window.

```

Stdio
<<< Proto-board LEDs >>>
DS2   DS3   DS4   DS5
----  ----  ----  ----
OFF   OFF   OFF   OFF

From PC keyboard:
Select 3=DS3, 4=DS4, 5=DS5, 6=DS6 to toggle LEDs

< Press 'Q' To Quit >

```

Press “1” or “2” on your keyboard to select LED DS1 or DS2 on the Prototyping Board. Then follow the prompt in the Dynamic C **STDIO** window to turn the LED on or off.

- **IR_DEMO.c**—Demonstrates sending Modbus ASCII packets between two RCM3700 Prototyping Board assemblies with IrDA transceivers via the IrDA transceivers. Note that this sample program will only work with the RCM3700 Prototyping Board.

First, compile and run this program on one Prototyping Board assembly, then remove the programming cable and press the **RESET** button on the Prototyping Board so that the first RabbitCore module is operating in the **Run** mode. Then connect the programming cable to the second Prototyping Board assembly with the RCM3750 and compile and run the same sample program. With the programming cable still connected to the second Prototyping Board assembly, press switch S1 on the second Prototyping Board to transmit a packet. Once the first Prototyping Board assembly receives a test packet, it will send back a response packet that will be displayed in the Dynamic C **STDIO** window. The test packets and response packets have different codes.

Once you have loaded and executed these five programs and have an understanding of how Dynamic C and the RCM3750 modules interact, you can move on and try the other sample programs, or begin building your own.

3.2.1 Use of Serial Flash

The following sample programs can be found in the `SAMPLES\RCM3700\SerialFlash` and the `SAMPLES\RCM3720\SerialFlash` folders.

- **SERIAL_FLASHLOG.C**—This program runs a simple Web server and stores a log of hits on the home page of the serial flash “server.” This log can be viewed and cleared from a browser at `http://10.10.6.100/`. You will likely have to first “configure” your network interface card for a “10Base-T Half-Duplex” or an “Auto-Negotiation” connection on the “Advanced” tab, which is accessed from the control panel (**Start > Settings > Control Panel**) by choosing **Network Connections**.
- **SFLASH_INSPECT.C**—This program is a handy utility for inspecting the contents of a serialflash chip. When the sample program starts running, it attempts to initialize a serial flash chip on Serial Port B. Once a serial flash chip is found, the user can perform two different commands to either print out the contents of a specified page or clear (set to zero) all the bytes in a specified page.

3.2.2 Serial Communication

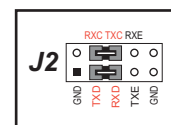
The following sample programs can be found in the `SAMPLES\RCM3700\SERIAL` and the `SAMPLES\RCM3720\SERIAL` folders.

NOTE: Pin PE5 is set up to enable/disable the RS-232 chip on the RCM3700 Prototyping Board. This pin will also be toggled when you run RS-232 sample programs on an RCM3700 Prototyping Board. If you plan to use this pin for something else while you are running any of the RS-232 sample programs, comment out the following line.

```
BitWrPortI(PEDR, &PEDRShadow, 0, 5); //set low to enable rs232 device
```

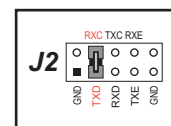
- **FLOWCONTROL.C**—This program demonstrates hardware flow control by configuring Serial Port C for CTS/RTS with serial data coming from Serial Port D. The serial data received are displayed in the **STDIO** window.

To set up the Prototyping Board, you will need to tie TxC and RxC together on the RS-232 header at J2, and you will also tie TxD and RxD together using the 0.1" jumpers supplied in the Development Kit as shown in the diagram.



A repeating triangular pattern should print out in the **STDIO** window. The program will periodically switch flow control on or off to demonstrate the effect of no flow control.

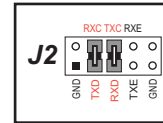
- **PARITY.C**—This program demonstrates the use of parity modes by repeatedly sending byte values 0–127 from Serial Port D to Serial Port C. The program will switch between generating parity or not on Serial Port D. Serial Port C will always be checking parity, so parity errors should occur during every other sequence.



To set up the Prototyping Board, you will need to tie TxD and RxC together on the RS-232 header at J2 using the 0.1" jumpers supplied in the Development Kit as shown in the diagram.

The Dynamic C **STDIO** window will display the error sequence.

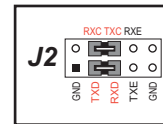
- **SIMPLE3WIRE.C**—This program demonstrates basic RS-232 serial communication. Lower case characters are sent by TxC, and are received by RxD. The characters are converted to upper case and are sent out by TxD, are received by RxC, and are displayed in the Dynamic C **STDIO** window.



To set up the Prototyping Board, you will need to tie TxD and RxC together on the RS-232 header at J2, and you will also tie RxD and TxR together using the 0.1" jumpers supplied in the Development Kit as shown in the diagram.

- **SIMPLE5WIRE.C**—This program demonstrates 5-wire RS-232 serial communication with flow control on Serial Port C and data flow on Serial Port D.

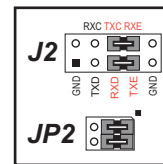
To set up the Prototyping Board, you will need to tie TxD and RxD together on the RS-232 header at J2, and you will also tie TxR and RxC together using the 0.1" jumpers supplied in the Development Kit as shown in the diagram.



Once you have compiled and run this program, you can test flow control by disconnecting TxR from RxR while the program is running. Characters will no longer appear in the **STDIO** window, and will display again once TxR is connected back to RxR.

- **SWITCHCHAR.C**—This program demonstrates transmitting and then receiving an ASCII string on Serial Ports C and E. It also displays the serial data received from both ports in the **STDIO** window.

Before running this sample program, check to make sure that Serial Port E is set up as an RS-232 serial port—pins 1–3 and pins 2–4 on header JP2 on the Prototyping Board must be jumpered together using the 2 mm jumpers supplied in the Development Kit. Then connect TxR to RxR and connect RxR to TxR on the RS-232 header at J2 using the 0.1" jumpers supplied in the Development Kit as shown in the diagram.



NOTE: The following two sample programs illustrating RS-485 serial communication will only work with the RCM3700 Prototyping Board.

- **SIMPLE485MASTER.C**—This program demonstrates a simple RS-485 transmission of lower case letters to a slave RCM3750. The slave will send back converted upper case letters back to the master RCM3750 and display them in the **STDIO** window. Use **SIMPLE485SLAVE.C** to program the slave RCM3750, and check to make sure that Serial Port E is set up as an RS-485 serial port—pins 3–5 and pins 4–6 on header JP2 must be jumpered together using the 2 mm jumpers supplied in the Development Kit.
- **SIMPLE485SLAVE.C**—This program demonstrates a simple RS-485 transmission of lower case letters to a master RCM3750. The slave will send back converted upper case letters back to the master RCM3750 and display them in the **STDIO** window. Use **SIMPLE485MASTER.C** to program the master RCM3750, and check to make sure that Serial Port E is set up as an RS-485 serial port—pins 3–5 and pins 4–6 on header JP2 must be jumpered together using the 2 mm jumpers supplied in the Development Kit.



3.2.3 A/D Converter Inputs

The following sample programs are found in the `SAMPLES\RCM3700\ADC` folder.

- `AD_CALDIFF_CH.C`—Demonstrates how to recalibrate one differential analog input channel using two known voltages to generate the calibration constants for that channel. Constants will be rewritten into user block data area.
- `AD_CALMA_CH.C`—Demonstrates how to recalibrate an A/D input channel being used to convert analog current measurements to generate the calibration constants for that channel.

Before running this program, make sure that pins 3–5 are connected on headers JP5, JP6, and JP7. Connect pins 1–2, 3–4, 5–6, 7–8 on header JP8.

- `AD_CALSE_ALL.C`—Demonstrates how to recalibrate all single-ended analog input channels for one gain, using two known voltages to generate the calibration constants for each channel. Constants will be rewritten into the user block data area.
- `AD_CALSE_CHAN.C`—Demonstrates how to recalibrate one single-ended analog input channel with one gain using two known voltages to generate the calibration constants for that channel. Constants will be rewritten into user block data area.

NOTE: The above sample programs will overwrite any existing calibration constants.

- `AD_RDDIFF_CH.C`—Demonstrates how to read an A/D input channel being used for a differential input using previously defined calibration constants.
- `AD_RDMA_CH.C`—Demonstrates how to read an A/D input channel being used to convert analog current measurements using previously defined calibration constants for that channel.

Before running this program, make sure that pins 3–5 are connected on headers JP5, JP6, and JP7. Connect pins 1–2, 3–4, 5–6, 7–8 on header JP8.

- `AD_RDSE_ALL.C`—Demonstrates how to read all single-ended A/D input channels using previously defined calibration constants.
- `AD_SAMPLE.C`—Demonstrates how to use a low-level driver on single-ended inputs. The program will continuously display the voltage (average of 10 samples) that is present on the A/D channels.
- `ANAINCONFIG.C`—Demonstrates how to use the Register Mode method to read single-ended analog input values for display as voltages. The sample program uses the function call `anaInConfig()` and the ADS7870 CONVERT line to accomplish this task.
- `THERMISTOR.C`—Demonstrates how to use analog input THERM_IN7 to calculate temperature for display to the **STUDIO** window. This sample program assumes that the thermistor is the one included in the Development Kit whose values for beta, series resistance, and resistance at standard temperature are given in the part specification.
- `DNLOADCALIB.C`—Demonstrates how to retrieve analog calibration data to rewrite it back to simulated EEPROM in flash with using a serial utility such as Tera Term.

- **UPLOADCALIB.C**—Demonstrates how to read calibrations constants from the user block in flash memory and then transmitting the file using a serial port and a PC serial utility such as Tera Term. Use **DNLOADCALIB.C** to download the calibration constants created by this program.

4. HARDWARE REFERENCE

Chapter 4 describes the hardware components and principal hardware subsystems of the RCM3750. Appendix A, “RCM3750 Specifications,” provides complete physical and electrical specifications.

Figure 4 shows the Rabbit-based subsystems designed into the RCM3750.

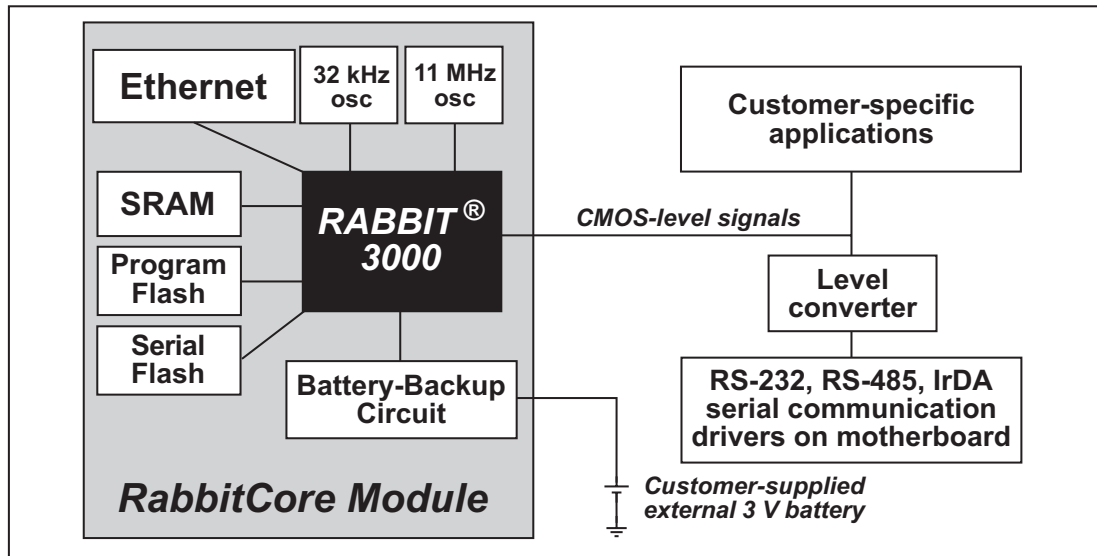


Figure 4. RCM3750 Subsystems

4.1 RCM3750 Digital Inputs and Outputs

Figure 5 shows the RCM3750 pinouts for header J1.

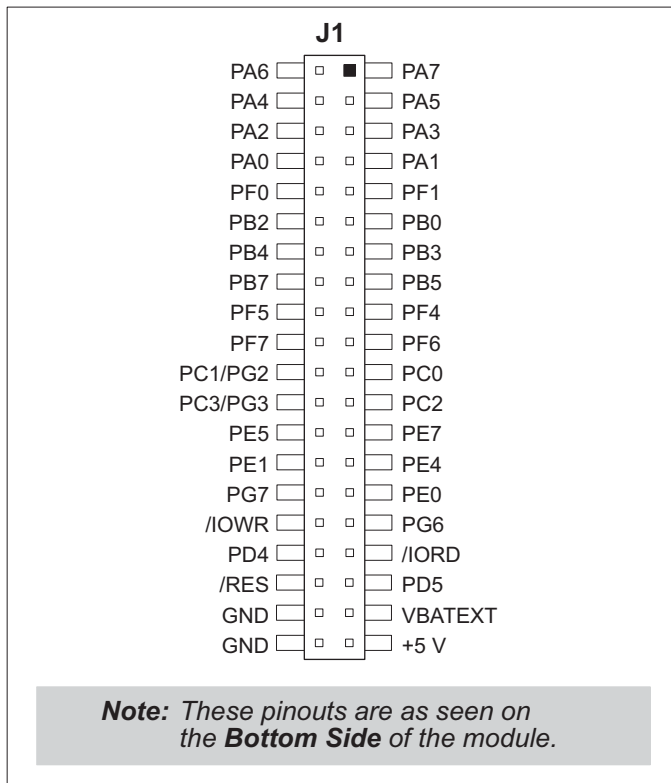


Figure 5. RCM3750 Pinouts

Header J1 is a standard 2 x 20 IDC header with a nominal 0.1" pitch.

Figure 6 shows the use of the Rabbit 3000 microprocessor ports in the RCM3750 modules.

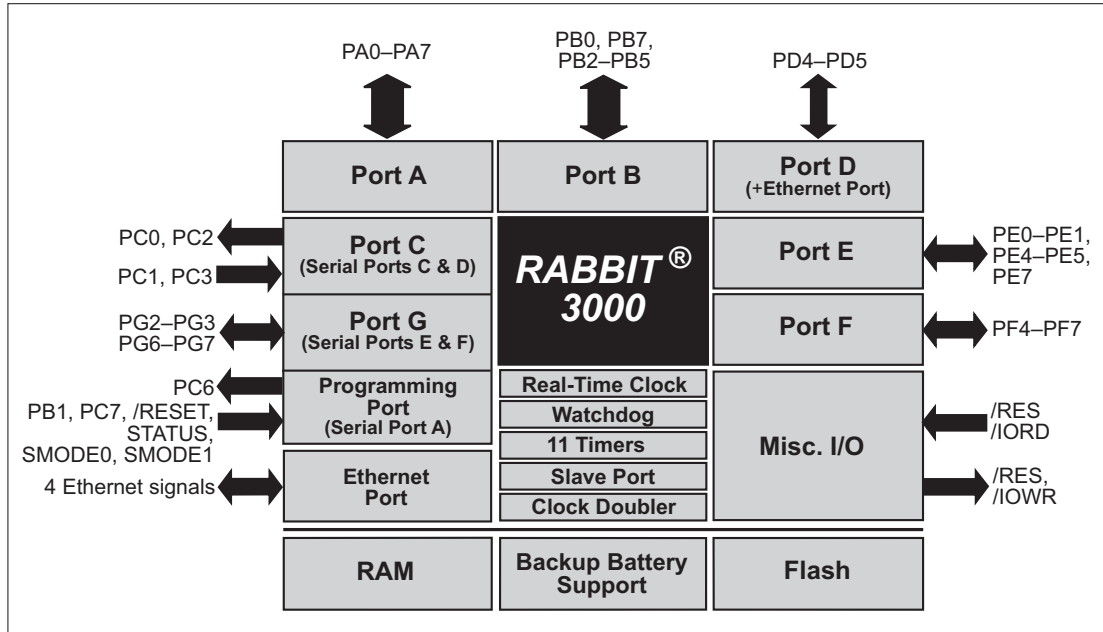


Figure 6. Use of Rabbit 3000 Ports

The ports on the Rabbit 3000 microprocessor used in the RCM3750 are configurable, and so the factory defaults can be reconfigured. Table 2 lists the Rabbit 3000 factory defaults and the alternate configurations.

Table 2. RCM3750 Pinout Configurations

Pin	Pin Name	Default Use	Alternate Use	Notes	
Header J1	1–8	PA[7:0]	Parallel I/O	External data bus (ID0–ID7) Slave port data bus (SD0–SD7)	External Data Bus
	9	PF1	Input/Output	QD1A CLKC	
	10	PF0	Input/Output	QD1B CLKD	
	11	PB0	Input/Output	CLKB	
	12	PB2	Input/Output	IA0 /SWR	External Address 0 Slave port write
	13	PB3	Input/Output	IA1 /SRD	External Address 1 Slave port read
	14	PB4	Input/Output	IA2 SA0	External Address 2 Slave Port Address 0
	15	PB5	Input/Output	IA3 SA1	External Address 3 Slave Port Address 1
	16	PB7	Input/Output	IA5 /SLAVEATTN	External Address 5 Slave Port Attention
	17	PF4	Input/Output	AQD1B PWM0	
	18	PF5	Input/Output	AQD1A PWM1	
	19	PF6	Input/Output	AQD2B PWM2	
	20	PF7	Input/Output	AQD2A PWM3	
	21	PC0	Output	TXD	Serial Port D
	22	PC1/PG2	Input/Output	RXD/TXF	Serial Port D Serial Port F
	23	PC2	Output	TXC	Serial Port C
24	PC3/PG3	Input/Output	RXC/RXF	Serial Port C Serial Port F	
25	PE7	Input/Output	I7 /SCS	I/O Strobe 7 Slave Port Chip Select	

Table 2. RCM3750 Pinout Configurations (continued)

Pin	Pin Name	Default Use	Alternate Use	Notes	
Header J1	26	PE5	Input/Output	I5 INT1B	I/O Strobe 5 Interrupt 1B
	27	PE4	Input/Output	I4 INT0B	I/O Strobe 4 Interrupt 0B
	28	PE1	Input/Output	I1 INT1A	I/O Strobe 1 Interrupt 1A
	29	PE0	Input/Output	I0 INT0A	I/O Strobe 0 Interrupt 0A
	30	PG7	Input/Output	RXE	Serial Port E
	31	PG6	Input/Output	TXE	
	32	/IOWR	Output		External write strobe
	33	/IORD	Output		External read strobe
	34	PD4	Input/Output	ATXB	Alternate Serial Port B
	35	PD5	Input/Output	ARXB	
	36	/RES	Reset output	Reset input	Reset output from Reset Generator
	37	VBAT			
	38	GND			
	39	+5 V			
40	GND				

4.1.1 Memory I/O Interface

The Rabbit 3000 address lines (A0–A18) and all the data lines (D0–D7) are routed internally to the onboard flash memory and SRAM chips. I/O write (/IOWR) and I/O read (/IORD) are available for interfacing to external devices.

Parallel Port A can also be used as an external I/O data bus to isolate external I/O from the main data bus. Parallel Port B pins PB2–PB5 and PB7 can also be used as an auxiliary address bus.

When using the auxiliary I/O bus for either Ethernet or the LCD/keypad module on the Prototyping Board, or for any other reason, you must add the following line at the beginning of your program.

```
#define PORTA_AUX_IO    // required to enable auxiliary I/O bus
```

4.1.2 Other Inputs and Outputs

The status, /RESET_IN, SMODE0, and SMODE1 I/O are normally associated with the programming port. Since the status pin is not used by the system once a program has been downloaded and is running, the status pin can then be used as a general-purpose CMOS output. The programming port is described in more detail in Section 4.2.3.

/RES is an output from the reset circuitry that can be used to reset other peripheral devices. This pin can also be used to reset the microprocessor.

4.2 Serial Communication

The RCM3750 board does not have any serial transceivers directly on the board. However, a serial interface may be incorporated on the board the RCM3750 is mounted on. For example, the Prototyping Board has RS-232, RS-485 and IrDA transceiver chips.

4.2.1 Serial Ports

There are five serial ports designated as Serial Ports A, C, D, E, and F. All five serial ports can operate in an asynchronous mode up to the baud rate of the system clock divided by 8. An asynchronous port can handle 7 or 8 data bits. A 9th bit address scheme, where an additional bit is sent to mark the first byte of a message, is also supported.

Serial Port A is normally used as a programming port, but may be used either as an asynchronous or as a clocked serial port once application development has been completed and the RCM3750 is operating in the Run Mode.

Serial Ports C and D can also be operated in the clocked serial mode. In this mode, a clock line synchronously clocks the data in or out. Either of the two communicating devices can supply the clock.

Serial Ports E and F can also be configured as HDLC serial ports. The IrDA protocol is also supported in SDLC format by these two ports.

Serial Port F shares its pins with Serial Ports C and D on header J1, as shown in Figure 7. The selection of port(s) depends on your need for two clocked serial ports (Serial Ports C and D) vs. a second HDLC serial port (Serial Port F).

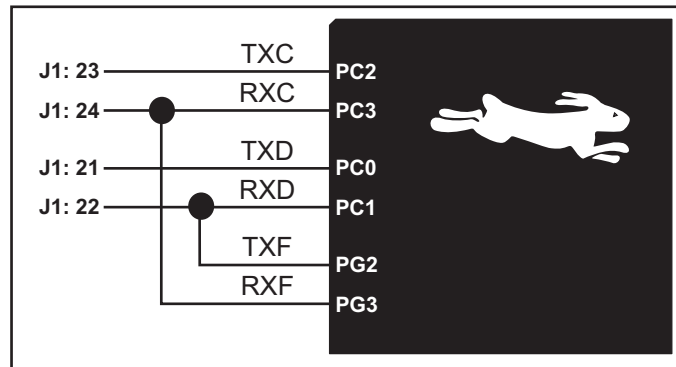


Figure 7. RCM3750 Serial Ports C, D, and F

The serial ports used are selected with the `serXOpen` function call, where X is the serial port (C, D, or F). Remember that RxC and RxD on Serial Ports C and D cannot be used if Serial Port F is being used

4.2.2 Ethernet Port

Figure 8 shows the pinout for the RJ-45 Ethernet port (J3). Note that some Ethernet connectors are numbered in reverse to the order used here.

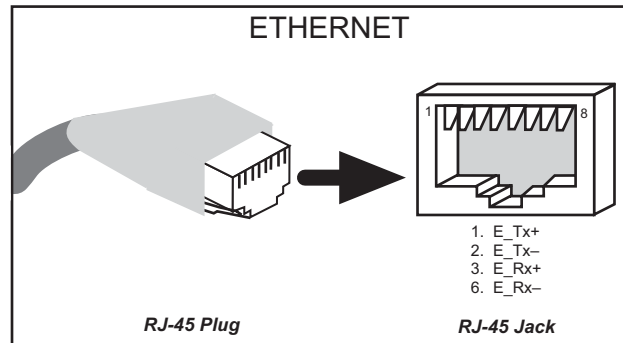


Figure 8. RJ-45 Ethernet Port Pinout

Two LEDs are placed next to the RJ-45 Ethernet jack, one to indicate an Ethernet link (**LINK**) and one to indicate Ethernet activity (**ACT**). A third LED (**SPD**) on the other side of the RJ-45 Ethernet jack indicates that the RCM3750 is connected to a functioning 100Base-T network.

The RJ-45 connector is shielded to minimize EMI effects to/from the Ethernet signals.

4.2.3 Serial Programming Port

The RCM3750 programming port is accessed through header J2 or over an Ethernet connection via the RabbitLink EG2110. The programming port uses the Rabbit 3000's Serial Port A for communication. Dynamic C uses the programming port to download and debug programs.

The programming port is also used for the following operations.

- Cold-boot the Rabbit 3000 on the RCM3750 after a reset.
- Remotely download and debug a program over an Ethernet connection using the RabbitLink EG2110.
- Fast copy designated portions of flash memory from one Rabbit-based board (the master) to another (the slave) using the Rabbit Cloning Board.

Serial Port A has special features that allow it to cold-boot the system after reset. Serial Port A is also the port that is used for software development under Dynamic C.

Alternate Uses of the Programming Port

All three clocked Serial Port A signals are available as

- a synchronous serial port
- an asynchronous serial port, with the clock line usable as a general CMOS input

The programming port may also be used as a serial port via the **DIAG** connector on the programming cable.

In addition to Serial Port A, the Rabbit 3000 startup-mode (SMODE0, SMODE1), status, and reset pins are available on the programming port.

The two startup mode pins determine what happens after a reset—the Rabbit 3000 is either cold-booted or the program begins executing at address 0x0000.

The status pin is used by Dynamic C to determine whether a Rabbit microprocessor is present. The status output has three different programmable functions:

1. It can be driven low on the first op code fetch cycle.
2. It can be driven low during an interrupt acknowledge cycle.
3. It can also serve as a general-purpose CMOS output.

The reset pin is an external input that is used to reset the Rabbit 3000.

Refer to the *Rabbit 3000 Microprocessor User's Manual* for more information.

4.3 Serial Programming Cable

The programming cable is used to connect the programming port of the RCM3750 to a PC serial COM port. The programming cable converts the RS-232 voltage levels used by the PC serial port to the CMOS voltage levels used by the Rabbit 3000.

When the **PROG** connector on the programming cable is connected to the RCM3750 programming port, programs can be downloaded and debugged over the serial interface.

The **DIAG** connector of the programming cable may be used on header J2 of the RCM3750 with the RCM3750 operating in the Run Mode. This allows the programming port to be used as a regular serial port.

4.3.1 Changing Between Program Mode and Run Mode

The RCM3750 is automatically in Program Mode when the **PROG** connector on the programming cable is attached, and is automatically in Run Mode when no programming cable is attached. When the Rabbit 3000 is reset, the operating mode is determined by the status of the SMODE pins. When the programming cable's **PROG** connector is attached, the SMODE pins are pulled high, placing the Rabbit 3000 in the Program Mode. When the programming cable's **PROG** connector is not attached, the SMODE pins are pulled low, causing the Rabbit 3000 to operate in the Run Mode.

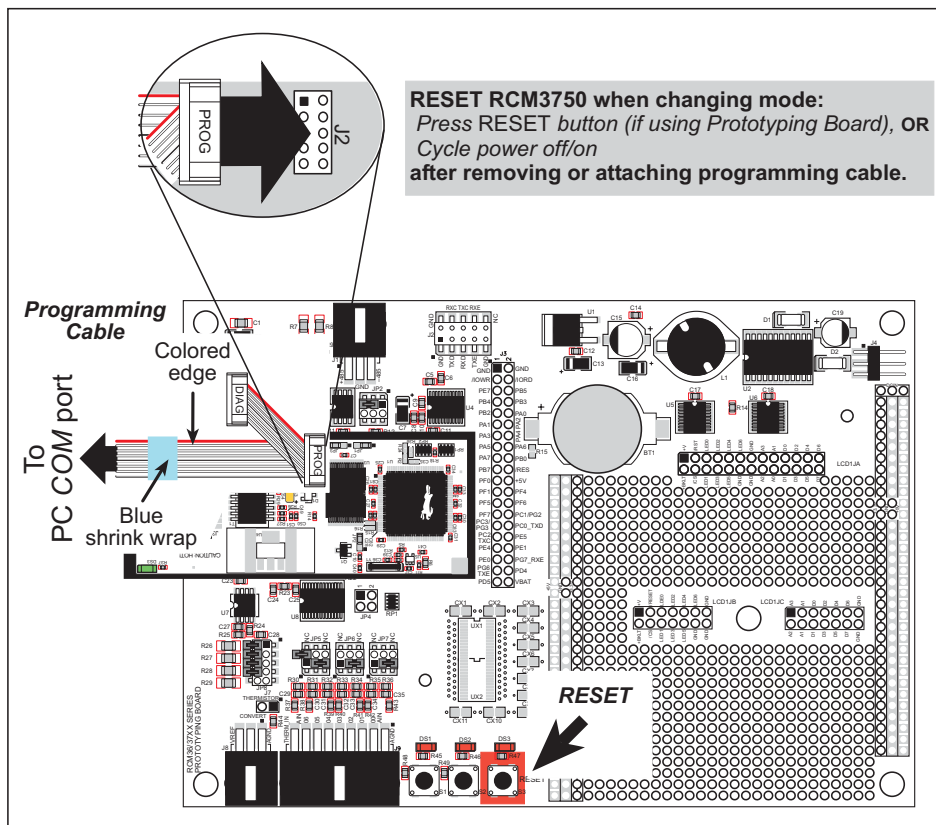


Figure 9. Switching Between Program Mode and Run Mode

A program “runs” in either mode, but can only be downloaded and debugged when the RCM3750 is in the program mode.

Refer to the *Rabbit 3000 Microprocessor User’s Manual* for more information on the programming port and the programming cable.

4.3.2 Standalone Operation of the RCM3750

The RCM3750 must be programmed via the RCM3700 Prototyping Board or via a similar arrangement on a customer-supplied board. Once the RCM3750 has been programmed successfully, remove the programming cable from the programming connector and reset the RCM3750. The RCM3750 may be reset by cycling the power off/on or by pressing the **RESET** button on the Prototyping Board. The RCM3750 module may now be removed from the Prototyping Board for end-use installation.

CAUTION: Power to the Prototyping Board or other boards should be disconnected when removing or installing your RCM3750 module to protect against inadvertent shorts across the pins or damage to the RCM3750 if the pins are not plugged in correctly. Do not reapply power until you have verified that the RCM3750 module is plugged in correctly.

4.4 Other Hardware

4.4.1 Clock Doubler

The RCM3750 takes advantage of the Rabbit 3000 microprocessor's internal clock doubler. A built-in clock doubler allows half-frequency crystals to be used to reduce radiated emissions. The 22.1 MHz frequency specified for the RCM3750 is generated using a 11.06 MHz resonator.

The clock doubler may be disabled if 22.1 MHz clock speeds are not required. This will reduce power consumption and further reduce radiated emissions. The clock doubler is disabled with a simple configuration macro as shown below.

1. Select the “Defines” tab from the Dynamic C **Options > Project Options** menu.
2. Add the line `CLOCK_DOUBLED=0` to always disable the clock doubler.
The clock doubler is enabled by default, and usually no entry is needed. If you need to specify that the clock doubler is always enabled, add the line `CLOCK_DOUBLED=1` to always enable the clock doubler.
3. Click **OK** to save the macro. The clock doubler will now remain off whenever you are in the project file where you defined the macro.

4.4.2 Spectrum Spreader

The Rabbit 3000 features a spectrum spreader, which helps to mitigate EMI problems. By default, the spectrum spreader is on automatically, but it may also be turned off or set to a stronger setting. The means for doing so is through a simple configuration macro as shown below.

1. Select the “Defines” tab from the Dynamic C **Options > Project Options** menu.
2. Normal spreading is the default, and usually no entry is needed. If you need to specify normal spreading, add the line

```
ENABLE_SPREADER=1
```

For strong spreading, add the line

```
ENABLE_SPREADER=2
```

To disable the spectrum spreader, add the line

```
ENABLE_SPREADER=0
```

NOTE: The strong spectrum-spreading setting is not recommended since it may limit the maximum clock speed or the maximum baud rate. It is unlikely that the strong setting will be used in a real application.

3. Click **OK** to save the macro. The spectrum spreader will now remain off whenever you are in the project file where you defined the macro.

NOTE: Refer to the *Rabbit 3000 Microprocessor User's Manual* for more information on the spectrum-spreading setting and the maximum clock speed.

4.5 Memory

4.5.1 SRAM

RCM3750 modules have 512K of SRAM.

4.5.2 Flash EPROM

RCM3750 modules also have 512K of flash EPROM.

NOTE: Rabbit Semiconductor recommends that any customer applications should not be constrained by the sector size of the flash EPROM since it may be necessary to change the sector size in the future.

Writing to arbitrary flash memory addresses at run time is also discouraged. Instead, use a portion of the “user block” area to store persistent data. The functions **writeUserBlock** and **readUserBlock** are provided for this. Refer to the *Rabbit 3000 Microprocessor Designer's Handbook* for additional information.

A Flash Memory Bank Select jumper configuration option based on 0 Ω surface-mounted resistors exists at header JP1 on the RCM3750 modules. This option is reserved for future use.

4.5.3 Serial Flash

A 1Mbyte serial flash is available to store data and Web pages. Sample programs in the **SAMPLES\RCM3700** folder illustrate the use of the serial flash.

4.5.4 Dynamic C BIOS Source Files

The Dynamic C BIOS source files handle different standard RAM and flash EPROM sizes automatically.

5. SOFTWARE REFERENCE

Dynamic C is an integrated development system for writing embedded software. It runs on an IBM-compatible PC and is designed for use with Rabbit Semiconductor controllers and other controllers based on the Rabbit microprocessor. Chapter 5 describes the libraries and function calls related to the RCM3750.

5.1 More About Dynamic C

Dynamic C has been in use worldwide since 1989. It is specially designed for programming embedded systems, and features quick compile and interactive debugging. A complete reference guide to Dynamic C is contained in the *Dynamic C User's Manual*.

You have a choice of doing your software development in the flash memory or in the static SRAM included on the RCM3750. The flash memory and SRAM options are selected with the **Options > Project Options > Compiler** menu.

The advantage of working in RAM is to save wear on the flash memory, which is limited to about 100,000 write cycles. The disadvantage is that the code and data might not both fit in RAM.

NOTE: An application can be compiled in RAM, but cannot run standalone from RAM after the programming cable is disconnected. All standalone applications can only run from flash memory.

NOTE: Do not depend on the flash memory sector size or type in your program logic. The RCM3750 and Dynamic C were designed to accommodate flash devices with various sector sizes in response to the volatility of the flash-memory market.

Developing software with Dynamic C is simple. Users can write, compile, and test C and assembly code without leaving the Dynamic C development environment. Debugging occurs while the application runs on the target. Alternatively, users can compile a program to an image file for later loading. Dynamic C runs on PCs under Windows 95 and later. Programs can be downloaded at baud rates of up to 460,800 bps after the program compiles.

Dynamic C has a number of standard features:

- Full-feature source and/or assembly-level debugger, no in-circuit emulator required.
- Royalty-free TCP/IP stack with source code and most common protocols.
- Hundreds of functions in source-code libraries and sample programs:
 - ▶ Exceptionally fast support for floating-point arithmetic and transcendental functions.
 - ▶ RS-232 and RS-485 serial communication.
 - ▶ Analog and digital I/O drivers.
 - ▶ I²C, SPI, GPS, file system.
 - ▶ LCD display and keypad drivers.
- Powerful language extensions for cooperative or preemptive multitasking
- Loader utility program to load binary images into Rabbit targets in the absence of Dynamic C.
- Provision for customers to create their own source code libraries and augment on-line help by creating “function description” block comments using a special format for library functions.
- Standard debugging features:
 - ▶ Breakpoints—Set breakpoints that can disable interrupts.
 - ▶ Single-stepping—Step into or over functions at a source or machine code level, μ C/OS-II aware.
 - ▶ Code disassembly—The disassembly window displays addresses, opcodes, mnemonics, and machine cycle times. Switch between debugging at machine-code level and source-code level by simply opening or closing the disassembly window.
 - ▶ Watch expressions—Watch expressions are compiled when defined, so complex expressions including function calls may be placed into watch expressions. Watch expressions can be updated with or without stopping program execution.
 - ▶ Register window—All processor registers and flags are displayed. The contents of general registers may be modified in the window by the user.
 - ▶ Stack window—shows the contents of the top of the stack.
 - ▶ Hex memory dump—displays the contents of memory at any address.
 - ▶ **STDIO** window—`printf` outputs to this window and keyboard input on the host PC can be detected for debugging purposes. `printf` output may also be sent to a serial port or file.

5.2 Dynamic C Functions

The functions described in this section are for use with the Prototyping Board features. The source code is in the **RCM37xx.LIB** library in the Dynamic C **SAMPLES\RCM3700** or the **SAMPLES\RCM3720** folder, depending on which Prototyping Board you will be using, if you need to modify it for your own board design.

Other generic functions applicable to all devices based on Rabbit microprocessors are described in the *Dynamic C Function Reference Manual*.

5.2.1 Board Initialization

```
void brdInit (void);
```

Call this function at the beginning of your program. This function initializes Parallel Ports A through G for use with the RCM3700 Prototyping Board or the RCM3720 Prototyping Board.

The `brdInit` function is set up to a default I/O configuration based on the RabbitCore module detected at compile time:

- Any RCM3700 RabbitCore module (except the RCM3720) will have its I/O ports configured for an RCM3700 Prototyping Board.
- An RCM3720 RabbitCore module will have its I/O ports configured for an RCM3720 Prototyping Board.

You may override these default settings to run an RCM3720 RabbitCore module on the RCM3700 Prototyping Board or to run another RCM3700 RabbitCore module on the RCM3720 Prototyping Board by adding the following macro to the program you will be running.

- To run an RCM3720 RabbitCore module on an RCM3700 Prototyping Board, add the following macro at the top of the program you will be running.

```
#define RCM3700_PROTOBOARD
```

Sample programs that are specifically designed for the RCM3700 Prototyping Board already have this macro included. When you run a sample program designed for the RCM3700 Prototyping Board on an RCM3720, a warning message will be displayed to inform you of that. You can disable the warning by commenting out the line indicated by the compiler.

- To run an RCM3700 RabbitCore module (other than the RCM3720) on an RCM3720 Prototyping Board, add the following macro at the top of the program you will be running.

```
#define RCM3720_PROTOBOARD
```

Summary of Initialization

1. I/O port pins are configured for Prototyping Board operation.
2. Unused configurable I/O are set as tied inputs or outputs.
3. The LCD/keypad module is disabled.
4. RS-485 is not enabled.
5. RS-232 is not enabled.
6. The IrDA transceiver is disabled.
7. LEDs are off.
8. The A/D converter is reset and SCLKB is to 57,600 bps (RCM3700 Prototyping Board only).
9. The A/D converter calibration constants are read (this function cannot run in RAM) (RCM3700 Prototyping Board only).
10. Ethernet select is disabled.
11. Serial flash select is disabled.

CAUTION: Pin PB7 is connected as both switch S2 and as an external I/O bus on the RCM3700 Prototyping Board. Do not use S2 when the LCD/keypad module is installed.

CAUTION: Pins PC1 and PG2 are tied together, and pins PC3 and PG3 are tied together on all the RCM3700 RabbitCore modules. Both pairs of pins are connected to the IrDA transceiver and to the RS-232 transceiver via serial ports on the RCM3700 Prototyping Board. Do *not* enable both transceivers on the RCM3700 Prototyping Board at the same time.

RETURN VALUE

None.

5.2.2 Analog Inputs

NOTE: The function calls for the A/D converter in this section will work only with the RCM3700 Prototyping Board.

```
unsigned int anaInConfig(unsigned int  
instructionbyte, unsigned int cmd, long baud);
```

Use this function to configure the ADS7870 A/D converter. This function will address the ADS7870 in Register Mode only, and will return error if you try the Direct Mode. This appendix provides additional addressing and command information.

ADS7870 Signal	ADS7870 State	RCM3700 Function/State
LN0	Input	AIN0
LN1	Input	AIN1
LN2	Input	AIN2
LN3	Input	AIN3
LN4	Input	AIN4
LN5	Input	AIN5
LN6	Input	AIN6
LN7	Input	AIN7
/RESET	Input	Board reset device
RISE/FALL	Input	Pulled up for SCLK active on rising edge
PIO0	Input	Pulled down
PIO1	Input	Pulled down
PIO2	Input	Pulled down
PIO3	Input	Pulled down
CONVERT	Input	Pulled down
BUSY	Output	PD1 pulled down; logic high state converter is busy
CCLKCNTRL	Input	Pulled down; 0 state sets CCLK as input
CCLK	Input	Pulled down; external conversion clock
SCLK	Input	PB0; serial data transfer clock
SDI	Input	PD4; 3-wire mode for serial data input
SDO	Output	PD5; serial data output /CS driven
/CS	Input	PD2 pulled up; active-low enables serial interface
BUFIN	Input	Driven by VREF; reference buffer amplifier
VREF	Output	Connected to BUFIN
BUFOUT	Output	VREF output

PARAMETERS

instructionbyte is the instruction byte that will initiate a read or write operation at 8 or 16 bits on the designated register address. For example,

```
checkid = anaInConfig(0x5F, 0, 9600); // read ID and set baud rate
```

cmd are the command data that configure the registers addressed by the instruction byte. Enter 0 if you are performing a read operation. For example,

```
i = anaInConfig(0x07, 0x3b, 0); // write ref/osc reg and enable
```

baud is the serial clock transfer rate of 9600 to 57,600 bps. **baud** must be set the first time this function is called. Enter 0 for this parameter thereafter, for example,

```
anaInConfig(0x00, 0x00, 9600); // resets device and sets baud
```

RETURN VALUE

0 on write operations,
data value on read operations

SEE ALSO

`anaInDriver`, `anaIn`, `brdInit`

```
unsigned int anaInDriver(unsigned int cmd,  
unsigned int len);
```

Reads the voltage of an analog input channel by serial-clocking an 8-bit command to the ADS7870 A/D converter by the Direct Mode method. This function assumes that Mode1 (most significant byte first) and the A/D converter oscillator have been enabled. See **anaInConfig()** for the setup.

The conversion begins immediately after the last data bit has been transferred. An exception error will occur if Direct Mode bit D7 is not set.

PARAMETERS

cmd contains a gain code and a channel code as follows.

D7—1; D6–D4—Gain Code; D3–D0—Channel Code

Use the following calculation and the tables below to determine **cmd**:

$$\text{cmd} = 0x80 \mid (\text{gain_code} * 16) + \text{channel_code}$$

Gain Code	Multiplier
0	x1
1	x2
2	x4
3	x5
4	x8
5	x10
6	x16
7	x20

Channel Code	Differential Input Lines	Channel Code	Single-Ended Input Lines*	4–20 mA Lines
0	+AIN0 -AIN1	8	AIN0	AIN0*
1	+AIN2 -AIN3	9	AIN1	AIN1*
2	+AIN4 -AIN5	10	AIN2	AIN2*
3 [†]	+AIN6 -AIN7	11	AIN3	AIN3
4	-AIN0 +AIN1	12	AIN4	AIN4
5	-AIN2 +AIN3	13	AIN5	AIN5
6	-AIN4 +AIN5	14	AIN6	AIN6
7*	-AIN6 +AIN7	15	AIN7	AIN7*

* Negative input is ground.

† Not accessible on RCM3700 Prototyping Board

len, the output bit length, is always 12 for 11-bit conversions

RETURN VALUE

A value corresponding to the voltage on the analog input channel:

0–2047 for 11-bit conversions (bit 12 for sign)

-1 overflow or out of range

-2 conversion incomplete, busy bit timeout

SEE ALSO

`anaInConfig`, `anaIn`, `brdInit`


```
unsigned int anaIn(unsigned int channel,
int opmode, int gaincode);
```

Reads the value of an analog input channel using the direct method of addressing the ADS7870 A/D converter. The A/D converter is enabled the first time this function is called—this will take approximately 1 second to ensure that the A/D converter capacitor is fully charged.

PARAMETERS

channel is the channel number (0 to 7) corresponding to ADC_IN0 to ADC_IN7

opmode is the mode of operation:

SINGLE—single-ended input

DIFF—differential input

mAMP—4–20 mA input

channel	SINGLE	DIFF	mAMP
0	+AIN0	+AIN0 -AIN1	+AIN0*
1	+AIN1	+AIN1 -AIN0*	+AIN1*
2	+AIN2	+AIN2 -AIN3	+AIN2*
3	+AIN3	+AIN3 -AIN2*	+AIN3
4	+AIN4	+AIN4 -AIN5	+AIN4
5	+AIN5	+AIN5 -AIN4*	+AIN5
6	+AIN6	+AIN6 -AIN7*	+AIN6
7	+AIN7	+AIN7 -AIN6*	+AIN7*

* Not accessible on RCM3700 Prototyping Board.

gaincode is the gain code of 0 to 7

Gain Code	Multiplier	Voltage Range* (V)
0	x1	0–20
1	x2	0–10
2	x4	0–5
3	x5	0–4
4	x8	0–2.5
5	x10	0–2
6	x16	0–1.25
7	x20	0–1

* Applies to RCM3700 Prototyping Board.

RETURN VALUE

A value corresponding to the voltage on the analog input channel:

0-2047 for 11-bit A/D conversions (signed 12th bit)

ADOVERFLOW (defined macro = -4096) if overflow or out of range

-4095 if conversion is incomplete or busy-bit timeout

SEE ALSO

`anaIn`, `anaInConfig`, `anaInDriver`

```
int anaInCalib(int channel, int opmode,
  int gaincode, int value1, float volts1,
  int value2, float volts2);
```

Calibrates the response of the desired A/D converter channel as a linear function using the two conversion points provided. Four values are calculated and placed into global tables to be later stored into simulated EEPROM using the function `anaInEER()`. Each channel will have a linear constant and a voltage offset.

PARAMETERS

channel is the analog input channel number (0 to 7) corresponding to ADC_IN0 to ADC_IN7

opmode is the mode of operation:

SINGLE—single-ended input

DIFF—differential input

mAMP—milliamp input

channel	SINGLE	DIFF	mAMP
0	+AIN0	+AIN0 -AIN1	+AIN0*
1	+AIN1	+AIN1 -AIN0*	+AIN1*
2	+AIN2	+AIN2 -AIN3	+AIN2*
3	+AIN3	+AIN3 -AIN2*	+AIN3
4	+AIN4	+AIN4 -AIN5	+AIN4
5	+AIN5	+AIN5 -AIN4*	+AIN5
6	+AIN6	+AIN6 -AIN7*	+AIN6
7	+AIN7	+AIN7 -AIN6*	+AIN7*

* Not accessible on RCM3700 Prototyping Board.

gaincode is the gain code of 0 to 7

Gain Code	Multiplier	Voltage Range* (V)
0	x1	0–20
1	x2	0–10
2	x4	0–5
3	x5	0–4
4	x8	0–2.5
5	x10	0–2
6	x16	0–1.25
7	x20	0–1

* Applies to RCM3700 Prototyping Board.

value1 is the first A/D converter channel value (0–2047)

volts1 is the voltage or current corresponding to the first A/D converter channel value (0 to +20 V or 4 to 20 mA)

value2 is the second A/D converter channel value (0–2047)

volts2 is the voltage or current corresponding to the first A/D converter channel value (0 to +20 V or 4 to 20 mA)

RETURN VALUE

0 if successful.

-1 if not able to make calibration constants.

SEE ALSO

`anaIn`, `anaInVolts`, `anaInmAmps`, `anaInDiff`, `anaInCalib`, `brdInit`

```
float anaInVolts(unsigned int channel,
                unsigned int gaincode);
```

Reads the state of a single-ended analog input channel and uses the calibration constants previously set using `anaInCalib` to convert it to volts.

PARAMETERS

`channel` is the channel number (0–7)

Channel Code	Single-Ended Input Lines [*]	Voltage Range [†] (V)
0	+AIN0	0–20
1	+AIN1	0–20
2	+AIN2	0–20
3	+AIN3	0–20
4	+AIN4	0–20
5	+AIN5	0–20
6	+AIN6	0–20
7	+AIN7	0–2 [‡]

* Negative input is ground.

† Applies to RCM3700 Prototyping Board.

‡ Used for thermistor in sample program.

`gaincode` is the gain code of 0 to 7

Gain Code	Multiplier	Voltage Range [*] (V)
0	x1	0–20
1	x2	0–10
2	x4	0–5
3	x5	0–4
4	x8	0–2.5
5	x10	0–2
6	x16	0–1.25
7	x20	0–1

* Applies to RCM3700 Prototyping Board.

RETURN VALUE

A voltage value corresponding to the voltage on the analog input channel.

`AD_OVERFLOW` (defined macro = -4096) if overflow or out of range.

SEE ALSO

`anaInCalib`, `anaIn`, `anaInmAmps`, `brdInit`

```
float anaInDiff(unsigned int channel,
               unsigned int gaincode);
```

Reads the state of differential analog input channels and uses the calibration constants previously set using `anaInCalib` to convert it to volts.

PARAMETERS

`channel` is the analog input channel number (0 to 7) corresponding to ADC_IN0 to ADC_IN7

channel	DIFF	Voltage Range (V)
0	+AIN0 -AIN1	-20 to +20*
1	+AIN1 -AIN0	—
2	+AIN2 -AIN3	-20 to +20*
3	+AIN3 -AIN2	—
4	+AIN4 -AIN5	-20 to +20*
5	+AIN5 -AIN4	—
6	+AIN6 -AIN7	—
7	+AIN7 -AIN6	—

* Applies to RCM3700 Prototyping Board.

`gaincode` is the gain code of 0 to 7

Gain Code	Multiplier	Voltage Range* (V)
0	x1	0–20
1	x2	0–10
2	x4	0–5
3	x5	0–4
4	x8	0–2.5
5	x10	0–2
6	x16	0–1.25
7	x20	0–1

* Applies to RCM3700 Prototyping Board.

RETURN VALUE

A voltage value corresponding to the voltage on the analog input channel.

`AD_OVERFLOW` (defined macro = -4096) if overflow or out of range.

SEE ALSO

`anaInCalib`, `anaIn`, `anaInmAmps`, `brdInit`

```
float anaInmAmps(unsigned int channel);
```

Reads the state of an analog input channel and uses the calibration constants previously set using `anaInCalib` to convert it to current.

PARAMETERS

`channel` is the channel number (0–7)

Channel Code	4–20 mA Input Lines*
0	+AIN0
1	+AIN1
2	+AIN2
3	+AIN3 [†]
4	+AIN4*
5	+AIN5*
6	+AIN6*
7	+AIN7

* Negative input is ground.

[†] Applies to RCM3700 Prototyping Board.

RETURN VALUE

A current value between 4.00 and 20.00 mA corresponding to the current on the analog input channel.

`AD_OVERFLOW` (defined macro = -4096) if overflow or out of range.

SEE ALSO

`anaInCalib`, `anaIn`, `anaInVolts`

```
root int anaInEERd(unsigned int channel,
  unsigned int opmode, unsigned int gaincode);
```

Reads the calibration constants, gain, and offset for an input based on their designated position in the simulated EEPROM area of the flash memory, and places them into global tables for analog inputs. The constants are stored in the top 2K of the reserved area in the user block memory—note that while Rabbit Semiconductor “reserves” an area in the user block memory for calibration constants, this “reserved” area is not protected. The following macros can be used to identify the starting address for these locations.

ADC_CALIB_ADDRS, address start of single-ended analog input channels

ADC_CALIB_ADDRD, address start of differential analog input channels

ADC_CALIB_ADDRM, address start of milliamp analog input channels

NOTE: This function cannot be run in RAM.

PARAMETER

channel is the analog input channel number (0 to 7) corresponding to ADC_IN0 to ADC_IN7

opmode is the mode of operation:

SINGLE—single-ended input line

DIFF—differential input line

mAMP—milliamp input line

channel	SINGLE	DIFF	mAMP
0	+AIN0	+AIN0 -AIN1	+AIN0*
1	+AIN1	+AIN1 -AIN0*	+AIN1*
2	+AIN2	+AIN2 -AIN3	+AIN2*
3	+AIN3	+AIN3 -AIN2*	+AIN3
4	+AIN4	+AIN4 -AIN5	+AIN4
5	+AIN5	+AIN5 -AIN4*	+AIN5
6	+AIN6	+AIN6 -AIN7*	+AIN6
7	+AIN7	+AIN7 -AIN6*	+AIN7*
ALLCHAN	read all channels for selected opmode		

* Not accessible on RCM3700 Prototyping Board.

gaincode is the gain code of 0 to 7. The **gaincode** parameter is ignored when **channel** is **ALLCHAN**.

Gain Code	Voltage Range [*] (V)
0	0–20
1	0–10
2	0–5
3	0–4
4	0–2.5
5	0–2
6	0–1.25
7	0–1

* Applies to RCM3700 Prototyping Board.

RETURN VALUE

0 if successful.
-1 if address is invalid or out of range.

SEE ALSO

anaInEEWr, **anaInCalib**

```
int anaInEEWr(unsigned int channel, int opmode
unsigned int gaincode);
```

Writes the calibration constants, gain, and offset for an input based from global tables to designated positions in the simulated EEPROM area of the flash memory. The constants are stored in the top 2K of the reserved area in the user block memory—note that while Rabbit Semiconductor “reserves” an area in the user block memory for calibration constants, this “reserved” area is not protected. The following macros can be used to identify the starting address for these locations.

ADC_CALIB_ADDR, address start of single-ended analog input channels

ADC_CALIB_ADDRD, address start of differential analog input channels

ADC_CALIB_ADDRM, address start of milliamp analog input channels

NOTE: This function cannot be run in RAM.

PARAMETER

channel is the analog input channel number (0 to 7) corresponding to ADC_IN0–ADC_IN7

opmode is the mode of operation:

SINGLE—single-ended input line

DIFF—differential input line

mAMP—milliamp input line

channel	SINGLE	DIFF	mAMP
0	+AIN0	+AIN0 -AIN1	+AIN0*
1	+AIN1	+AIN1 -AIN0*	+AIN1*
2	+AIN2	+AIN2 -AIN3	+AIN2*
3	+AIN3	+AIN3 -AIN2*	+AIN3
4	+AIN4	+AIN4 -AIN5	+AIN4
5	+AIN5	+AIN5 -AIN4*	+AIN5
6	+AIN6	+AIN6 -AIN7*	+AIN6
7	+AIN7	+AIN7 -AIN6*	+AIN7*
ALLCHAN	read all channels for selected opmode		

* Not accessible on RCM3700 Prototyping Board.

gaincode is the gain code of 0 to 7. The **gaincode** parameter is ignored when **channel** is **ALLCHAN**.

Gain Code	Voltage Range* (V)
0	0–20
1	0–10
2	0–5
3	0–4
4	0–2.5
5	0–2
6	0–1.25
7	0–1

* Applies to RCM3700 Prototyping Board.

RETURN VALUE

0 if successful
-1 if address is invalid or out of range.

SEE ALSO

`anaInEEWr`, `anaInCalib`

```
void digConfig(char statemask);
```

Configures channels PIO0 to PIO3 on the A/D converter to allow them to be used as digital I/O via header JP4 on the RCM3700 Prototyping Board.

Remember to execute the `brdInit` function before calling this function to prevent a runtime error.

PARAMETER

statemask is a bitwise mask representing JP4 channels 1 to 4. Use logic 0 for inputs and logic 1 for outputs in these bit positions:

bits 7–5—0
bit 4—JP4:4
bit 3—JP4:3
bit 2—JP4:2
bit 1—JP4:1
bit 0—0

RETURN VALUE

None.

SEE ALSO

`digOut`, `digIn`

```
void digOut(int channel, int state);
```

Writes a state to a digital output channel on header JP4 of the RCM3700 Prototyping Board. The PIO0 to PIO3 channels on the A/D converter chip are accessed via header JP4 on the RCM3700 Prototyping Board.

A runtime error will occur if the `brdInit` function was not executed before calling this function or if the channel is out of range.

PARAMETERS

`channel` is channel 1 to 4 for JP4:1 to JP4:4

`state` is a logic state of 0 or 1

RETURN VALUE

None.

SEE ALSO

`brdInit`, `digIn`

```
int digIn(int channel);
```

Reads the state of a digital input channel on header JP4 of the RCM3700 Prototyping Board. The PIO0 to PIO3 channels on the A/D converter chip are accessed via header JP4 on the RCM3700 Prototyping Board.

A runtime error will occur if the `brdInit` function was not executed before calling this function or if the channel is out of range.

PARAMETERS

`channel` is channel 1 to 4 for JP4:1 to JP4:4

`state` is a logic state of 0 or 1

RETURN VALUE

None.

SEE ALSO

`brdInit`, `digOut`

5.2.3 Digital I/O

The RCM3750 was designed to interface with other systems, and so there are no drivers written specifically for the I/O. The general Dynamic C read and write functions allow you to customize the parallel I/O to meet your specific needs. For example, use

```
WrPortI(PEDDR, &PEDDRShadow, 0x00);
```

to set all the Port E bits as inputs, or use

```
WrPortI(PEDDR, &PEDDRShadow, 0xFF);
```

to set all the Port E bits as outputs.

When using the auxiliary I/O bus on the Rabbit 3000 chip, add the line

```
#define PORTA_AUX_IO // required to enable auxiliary I/O bus
```

to the beginning of any programs using the auxiliary I/O bus.

The sample programs in the Dynamic C **SAMPLES/RCM3700** and the **SAMPLES/RCM3720** folders provide further examples.

5.2.4 Serial Communication Drivers

Library files included with Dynamic C provide a full range of serial communications support. The `RS232.LIB` library provides a set of circular-buffer-based serial functions. The `PACKET.LIB` library provides packet-based serial functions where packets can be delimited by the 9th bit, by transmission gaps, or with user-defined special characters. Both libraries provide blocking functions, which do not return until they are finished transmitting or receiving, and nonblocking functions, which must be called repeatedly until they are finished, allowing other functions to be performed between calls. For more information, see the *Dynamic C Function Reference Manual* and Technical Note TN213, *Rabbit Serial Port Software*.

5.2.5 Serial Flash

The serial flash drivers are located in the `LIB\SerialFlash` folder. Complete information on these function calls is provided in the *Dynamic C Function Reference Manual*.

5.2.6 TCP/IP Drivers

The TCP/IP drivers are located in the `LIB\TCPIP` folder. Complete information on these libraries and the TCP/IP functions is provided in the *Dynamic C TCP/IP User's Manual*.

5.3 Upgrading Dynamic C

Dynamic C patches that focus on bug fixes are available from time to time. Check the Web site www.rabbit.com/support/ for the latest patches, workarounds, and bug fixes.

5.3.1 Add-On Modules

Dynamic C installations are designed for use with the board they are included with, and are included at no charge as part of our low-cost kits. Rabbit Semiconductor offers for purchase add-on Dynamic C modules including the popular μ C/OS-II real-time operating system, as well as PPP, Advanced Encryption Standard (AES), and other select libraries.

In addition to the Web-based technical support included at no extra charge, a one-year telephone-based technical support module is also available for purchase.

5.3.1.1 Featured Application Kit

The Secure Embedded Web Application Kit includes three Dynamic C modules that are bundled together facilitates the rapid development of secure Web browser interfaces for embedded system control.

- Dynamic C FAT file system module.
- Dynamic C RabbitWeb module.
- Dynamic C Secure Sockets Layer (SSL) module.

Appendix E provides additional information about the Secure Embedded Web Application Kit.

6. USING THE TCP/IP FEATURES

6.1 TCP/IP Connections

Programming and development can be done with the RCM3750 modules without connecting the Ethernet port to a network. However, if you will be running the sample programs that use the Ethernet capability or will be doing Ethernet-enabled development, you should connect the RCM3750 module's Ethernet port at this time.

Before proceeding you will need to have the following items.

- If you don't have Ethernet access, you will need at least a 10Base-T Ethernet card (available from your favorite computer supplier) installed in a PC.
- Two RJ-45 straight through CAT 5/6 Ethernet cables and a hub, or an RJ-45 crossover CAT 5/6 Ethernet cable.

The CAT 5/6 Ethernet cables and a 10Base-T Ethernet hub are available from Rabbit Semiconductor in a TCP/IP tool kit. More information is available at www.rabbit.com.

1. Connect the AC adapter and the programming cable as shown in Chapter 2, "Getting Started."
2. Ethernet Connections

There are four options for connecting the RCM3750 module to a network for development and runtime purposes. The first two options permit total freedom of action in selecting network addresses and use of the "network," as no action can interfere with other users. We recommend one of these options for initial development.

- **No LAN** — The simplest alternative for desktop development. Connect the RCM3750 module's Ethernet port directly to the PC's network interface card using an RJ-45 *crossover CAT 5/6 Ethernet cable*. A crossover cable is a special cable that flips some connections between the two connectors and permits direct connection of two client systems. A standard RJ-45 network cable will not work for this purpose.
- **Micro-LAN** — Another simple alternative for desktop development. Use a small Ethernet 10Base-T hub and connect both the PC's network interface card and the RCM3750 module's Ethernet port to it using standard network cables.

The following options require more care in address selection and testing actions, as conflicts with other users, servers and systems can occur:

- **LAN** — Connect the RCM3750 module's Ethernet port to an existing LAN, preferably one to which the development PC is already connected. You will need to obtain IP addressing information from your network administrator.
- **WAN** — The RCM3750 is capable of direct connection to the Internet and other Wide Area Networks, but exceptional care should be used with IP address settings and all network-related programming and development. We recommend that development and debugging be done on a local network before connecting a RabbitCore system to the Internet.

TIP: Checking and debugging the initial setup on a micro-LAN is recommended before connecting the system to a LAN or WAN.

The PC running Dynamic C does not need to be the PC with the Ethernet card.

3. Apply Power

Plug in the AC adapter. The RCM3750 module and Prototyping Board are now ready to be used.

6.2 TCP/IP Primer on IP Addresses

Obtaining IP addresses to interact over an existing, operating, network can involve a number of complications, and must usually be done with cooperation from your ISP and/or network systems administrator. For this reason, it is suggested that the user begin instead by using a direct connection between a PC and the RCM3750 using a CAT 5/6 Ethernet crossover cable or a simple arrangement with a hub. (A crossover cable should not be confused with regular straight through cables.)

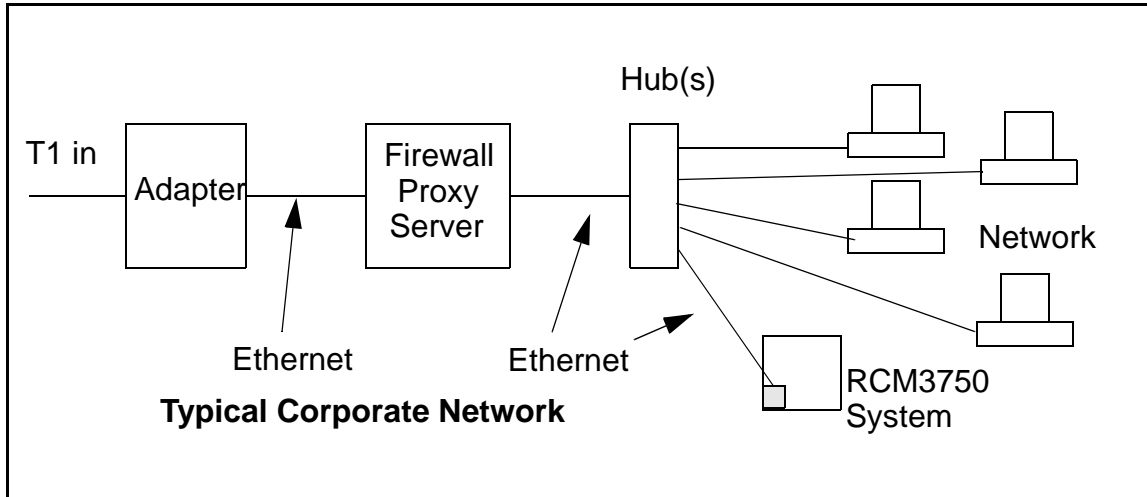
In order to set up this direct connection, you will have to use a PC without networking, or disconnect a PC from the corporate network, or install a second Ethernet adapter and set up a separate private network attached to the second Ethernet adapter. Disconnecting your PC from the corporate network may be easy or nearly impossible, depending on how it is set up. If your PC boots from the network or is dependent on the network for some or all of its disks, then it probably should not be disconnected. If a second Ethernet adapter is used, be aware that Windows TCP/IP will send messages to one adapter or the other, depending on the IP address and the binding order in Microsoft products. Thus you should have different ranges of IP addresses on your private network from those used on the corporate network. If both networks service the same IP address, then Windows may send a packet intended for your private network to the corporate network. A similar situation will take place if you use a dial-up line to send a packet to the Internet. Windows may try to send it via the local Ethernet network if it is also valid for that network.

The following IP addresses are set aside for local networks and are not allowed on the Internet: 10.0.0.0 to 10.255.255.255, 172.16.0.0 to 172.31.255.255, and 192.168.0.0 to 192.168.255.255.

The RCM3750 uses a 10/100Base-T Ethernet connection. The RJ-45 connectors are similar to U.S. style telephone connectors, except they are larger and have 8 contacts.

An alternative to the direct connection using a crossover cable is a direct connection using a hub. The hub relays packets received on any port to all of the ports on the hub. Hubs are low in cost and are readily available. The RCM3750 uses 10/100 Mbps Ethernet, so the hub or Ethernet adapter must be a 10/100-compatible unit.

In a corporate setting where the Internet is brought in via a high-speed line, there are typically machines between the outside Internet and the internal network. These machines include a combination of proxy servers and firewalls that filter and multiplex Internet traffic. In the configuration below, the RCM3750 could be given a fixed address so any of the computers on the local network would be able to contact it. It may be possible to configure the firewall or proxy server to allow hosts on the Internet to directly contact the controller, but it would probably be easier to place the controller directly on the external network outside of the firewall. This avoids some configuration complications by sacrificing some security.



If your system administrator can give you an Ethernet connection along with its IP address, the netmask and the gateway address, then you may be able to run the sample programs without having to set up a direct connection between your computer and the RCM3750. You will also need the IP address of the nameserver, the name or IP address of your mail server, and your domain name for some of the sample programs.

6.2.1 IP Addresses Explained

IP (Internet Protocol) addresses are expressed as 4 decimal numbers separated by periods, for example:

216.103.126.155

10.1.1.6

Each decimal number must be between 0 and 255. The total IP address is a 32-bit number consisting of the 4 bytes expressed as shown above. A local network uses a group of adjacent IP addresses. There are always 2^N IP addresses in a local network. The netmask (also called subnet mask) determines how many IP addresses belong to the local network. The netmask is also a 32-bit address expressed in the same form as the IP address. An example netmask is:

255.255.255.0

This netmask has 8 zero bits in the least significant portion, and this means that 2^8 addresses are a part of the local network. Applied to the IP address above (216.103.126.155), this netmask would indicate that the following IP addresses belong to the local network:

216.103.126.0

216.103.126.1

216.103.126.2

etc.

216.103.126.254

216.103.126.255

The lowest and highest address are reserved for special purposes. The lowest address (216.102.126.0) is used to identify the local network. The highest address (216.102.126.255) is used as a broadcast address. Usually one other address is used for the address of the gateway out of the network. This leaves $256 - 3 = 253$ available IP addresses for the example given.

6.2.2 How IP Addresses are Used

The actual hardware connection via an Ethernet uses Ethernet adapter addresses (also called MAC addresses). These are 48-bit addresses and are unique for every Ethernet adapter manufactured. In order to send a packet to another computer, given the IP address of the other computer, it is first determined if the packet needs to be sent directly to the other computer or to the gateway. In either case, there is an Ethernet address on the local network to which the packet must be sent. A table is maintained to allow the protocol driver to determine the MAC address corresponding to a particular IP address. If the table is empty, the MAC address is determined by sending an Ethernet broadcast packet to all devices on the local network asking the device with the desired IP address to answer with its MAC address. In this way, the table entry can be filled in. If no device answers, then the device is nonexistent or inoperative, and the packet cannot be sent.

Some IP address ranges are reserved for use on internal networks, and can be allocated freely as long as no two internal hosts have the same IP address. These internal IP addresses are not routed to the Internet, and any internal hosts using one of these reserved IP addresses cannot communicate on the external Internet without being connected to a host that has a valid Internet IP address. The host would either translate the data, or it would act as a proxy.

Each RCM3750 RabbitCore module has its own unique MAC address, which consists of the prefix 0090C2 followed by a code that is unique to each RCM3750 module. For example, a MAC address might be 0090C2C002C0.

TIP: You can always obtain the MAC address on your board by running the sample program `DISPLAY_MAC.C` from the `SAMPLES\TCPIP` folder.

6.2.3 Dynamically Assigned Internet Addresses

In many instances, devices on a network do not have fixed IP addresses. This is the case when, for example, you are assigned an IP address dynamically by your dial-up Internet service provider (ISP) or when you have a device that provides your IP addresses using the Dynamic Host Configuration Protocol (DHCP). The RCM3750 modules can use such IP addresses to send and receive packets on the Internet, but you must take into account that this IP address may only be valid for the duration of the call or for a period of time, and could be a private IP address that is not directly accessible to others on the Internet. These private address can be used to perform some Internet tasks such as sending e-mail or browsing the Web, but usually cannot be used to participate in conversations that originate elsewhere on the Internet. If you want to find out this dynamically assigned IP address, under Windows XP you can run the `ipconfig` program while you are connected and look at the interface used to connect to the Internet.

Many networks use IP addresses that are assigned using DHCP. When your computer comes up, and periodically after that, it requests its networking information from a DHCP server. The DHCP server may try to give you the same address each time, but a fixed IP address is usually not guaranteed.

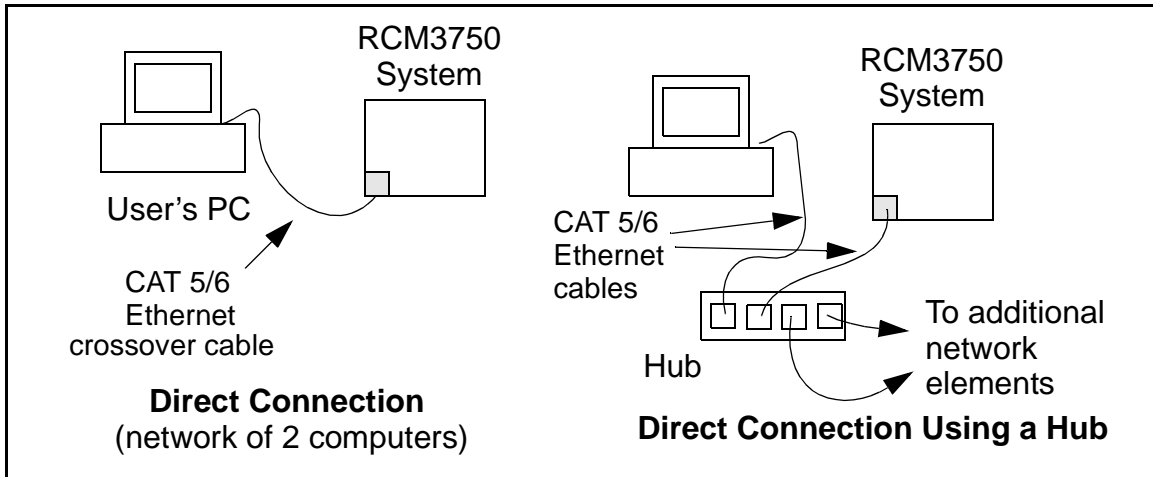
If you are not concerned about accessing the RCM3750 from the Internet, you can place the RCM3750 on the internal network using an IP address assigned either statically or through DHCP.

6.3 Placing Your Device on the Network

In many corporate settings, users are isolated from the Internet by a firewall and/or a proxy server. These devices attempt to secure the company from unauthorized network traffic, and usually work by disallowing traffic that did not originate from inside the network. If you want users on the Internet to communicate with your RCM3750, you have several options. You can either place the RCM3750 directly on the Internet with a real Internet address or place it behind the firewall. If you place the RCM3750 behind the firewall, you need to configure the firewall to translate and forward packets from the Internet to the RCM3750.

6.4 Running TCP/IP Sample Programs

We have provided a number of sample programs demonstrating various uses of TCP/IP for networking embedded systems. These programs require you to connect your PC and the RCM3750 board together on the same network. This network can be a local private network (preferred for initial experimentation and debugging), or a connection via the Internet.



6.4.1 How to Set IP Addresses in the Sample Programs

With the introduction of Dynamic C 7.30 we have taken steps to make it easier to run many of our sample programs. You will see a **TCPCONFIG** macro. This macro tells Dynamic C to select your configuration from a list of default configurations. You will have three choices when you encounter a sample program with the **TCPCONFIG** macro.

1. You can replace the **TCPCONFIG** macro with individual **MY_IP_ADDRESS**, **MY_NETMASK**, **MY_GATEWAY**, and **MY_NAMESERVER** macros in each program.
2. You can leave **TCPCONFIG** at the usual default of 1, which will set the IP configurations to **10.10.6.100**, the netmask to **255.255.255.0**, and the nameserver and gateway to **10.10.6.1**. If you would like to change the default values, for example, to use an IP address of **10.1.1.2** for the RCM3750 module, and **10.1.1.1** for your PC, you can edit the values in the section that directly follows the “General Configuration” comment in the **TCP_CONFIG.LIB** library. You will find this library in the **LIB\TCPIP** directory.
3. You can create a **CUSTOM_CONFIG.LIB** library and use a **TCPCONFIG** value greater than 100. Instructions for doing this are at the beginning of the **TCP_CONFIG.LIB** library in the **LIB\TCPIP** directory.

There are some other “standard” configurations for **TCPCONFIG** that let you select different features such as DHCP. Their values are documented at the top of the **TCP_CONFIG.LIB** library in the **LIB\TCPIP** directory. More information is available in the *Dynamic C TCP/IP User’s Manual*.

6.4.2 How to Set Up your Computer for Direct Connect

Follow these instructions to set up your PC or notebook. Check with your administrator if you are unable to change the settings as described here since you may need administrator privileges. The instructions are specifically for Windows 2000, but the interface is similar for other versions of Windows.

TIP: If you are using a PC that is already on a network, you will disconnect the PC from that network to run these sample programs. Write down the existing settings before changing them to facilitate restoring them when you are finished with the sample programs and reconnect your PC to the network.

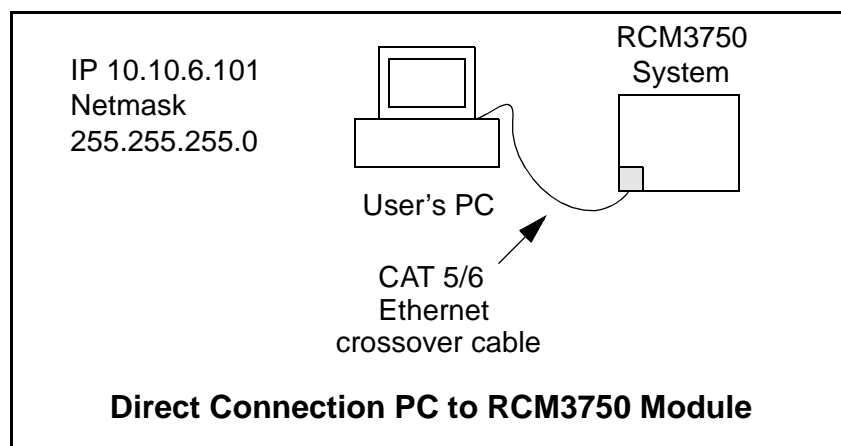
1. Go to the control panel (**Start > Settings > Control Panel**), and then double-click the Network icon.
2. Select the network interface card used for the Ethernet interface you intend to use (e.g., **TCP/IP Xircom Credit Card Network Adapter**) and click on the “Properties” button. Depending on which version of Windows your PC is running, you may have to select the “Local Area Connection” first, and then click on the “Properties” button to bring up the Ethernet interface dialog. Then “Configure” your interface card for a “10Base-T Half-Duplex” or an “Auto-Negotiation” connection on the “Advanced” tab.

NOTE: Your network interface card will likely have a different name.

3. Now select the **IP Address** tab, and check **Specify an IP Address**, or select TCP/IP and click on “Properties” to assign an IP address to your computer (this will disable “obtain an IP address automatically”):

IP Address : 10.10.6.101
Netmask : 255.255.255.0
Default gateway : 10.10.6.1

4. Click **<OK>** or **<Close>** to exit the various dialog boxes.



6.5 Run the `PINGME.C` Sample Program

Connect the crossover cable from your computer's Ethernet port to the RCM3750 module's RJ-45 Ethernet connector. Open this sample program from the `SAMPLES\TCPIP\ICMP` folder, compile the program, and start it running under Dynamic C. When the program starts running, the green **LINK** light on the RCM3750 module should be on to indicate an Ethernet connection is made. (Note: If the **LNK** light does not light, you may not be using a crossover cable, or if you are using a hub perhaps the power is off on the hub.)

The next step is to ping the board from your PC. This can be done by bringing up the MS-DOS window and running the pingme program:

```
ping 10.10.6.100
```

or by **Start > Run**

and typing the entry

```
ping 10.10.6.100
```

Notice that the yellow **ACT** light flashes on the RCM3750 module while the ping is taking place, and indicates the transfer of data. The ping routine will ping the board four times and write a summary message on the screen describing the operation.

6.6 Running Additional Sample Programs With Direct Connect

The sample programs discussed here are in the Dynamic C `SAMPLES\RCM3700\TCPIP\` and the `SAMPLES\RCM3720\TCPIP\` folders.

The program `BROWSELED.C` demonstrates how to make the RCM3750 module be a Web server. Two "LEDs" are created on the Web page, along with two buttons to toggle them. Users can change the status of the lights from the Web browser. The LEDs on the Prototyping Board match the ones on the Web page. As long as you have not modified the `TCPCONFIG 1` macro in the sample program, enter the following server address in your Web browser to bring up the Web page served by the sample program.

```
http://10.10.6.100.
```

Otherwise use the TCP/IP settings you entered in the `TCP_CONFIG.LIB` library.

The optional LCD/keypad module (see Appendix C) must be plugged in to the RCM3700 Prototyping Board when using this sample program. The sample program `MBOXDEMO.C` implements a Web server that allows e-mail messages to be entered and then shown on the LCD/keypad module. The keypad allows the user to scroll within messages, flip to other e-mails, mark messages as read, and delete e-mails. When a new e-mail arrives, an LED (on the Prototyping Board and LCD/keypad module) turns on, then turns back off once the message has been marked as read. A log of all e-mail actions is kept, and can be displayed in the Web browser. All current e-mails can also be read with the Web browser.

The sample program `PINGLED.C` demonstrates ICMP by pinging a remote host. It will flash LEDs DS1 and DS2 on the Prototyping Board when a ping is sent and received.

The sample program **SMTP.C** allows you to send an e-mail when a switch on the Prototyping Board is pressed. Follow the instructions included with the sample program. LED DS1 on the Prototyping Board will light up when sending e-mail. Note that pin PB7 is connected to both switch S2 and to the external I/O bus on the Prototyping Board, and so switch S2 should not be used with Ethernet operations.

6.6.1 RabbitWeb Sample Programs

You will need to have the Dynamic C RabbitWeb module installed before you run the sample programs described in this section. The sample programs can be found in the **SAMPLES\RCM3700\TCP\IP\RABBITWEB** folder.

- **BLINKLEDS.C**—This program demonstrates a basic example to change the rate at which the DS1 and DS2 LEDs on the RCM3700 Prototyping Board or the RCM3720 Prototyping Board blink.
- **DOORMONITOR.C**—The optional LCD/keypad module (see Appendix C) must be plugged in to the RCM3700 Prototyping Board when using this sample program. This program demonstrates adding and monitoring passwords entered via the LCD/keypad module.
- **HANGMAN_GAME.C**—This sample program based on the children's hangman word guessing game demonstrates some RabbitWeb capabilities using the RCM3720 Prototyping Board.
- **LEDS_CHECKBOX.C**—This sample program provides a bare-bones sample of using some RabbitWeb features to control digital I/O using the RCM3720 Prototyping Board.
- **SPRINKLER.C**—This program demonstrates how to schedule times for the digital outputs in a 24-hour period using the RCM3700 Prototyping Board or the RCM3720 Prototyping Board.
- **TEMPERATURE.C**—This program demonstrates the use of a thermistor with the RCM3700 Prototyping Board to measure temperature, and it also demonstrates some simple `#web` variable registration along with the authentication features. An e-mail message will be sent if the current temperature exceeds the minimum or maximum limits set by the user.

Before running this sample program, you will have to install the thermistor included in the RCM3700 Development Kit at location J7 on the RCM3700 Prototyping Board, which is connected to analog input THERM_IN7.

6.6.2 Secure Sockets Layer (SSL) Sample Programs

You will need to have the Dynamic C SSL module installed before you run the sample programs described in this section. The sample programs can be found in the `SAMPLES\RCM3700\TCP\SSL` folder.

Before running these sample programs, you will have to create an SSL certificate. The SSL walkthrough in the online documentation for the Dynamic C SSL module explains how to do this.

- `SSL_BROWSELED.C`—This program demonstrates a basic controller running a Web page. Two “LEDs” are created on the Web page, along with two buttons to toggle them. Users can change the status of the lights from the Web browser. The LEDs on the Prototyping Board match the ones on the Web page. As long as you have not modified the `TCPCONFIG 1` macro in the sample program, enter the following server address in your Web browser to bring up the Web page served by the sample program.

`http://10.10.6.100`

Otherwise use the TCP/IP settings you entered in the `TCP_CONFIG.LIB` library.

- `SSL_MBOXDEMO.C`—Implements a Web server that allows e-mail messages to be entered and then shown on the LCD/keypad module. The keypad allows the user to scroll within messages, flip to other e-mails, mark messages as read, and delete e-mails. When a new e-mail arrives, an LED (on the Prototyping Board and LCD/keypad module) turns on, then turns back off once the message has been marked as read. A log of all e-mail actions is kept, and can be displayed in the Web browser. All current e-mails can also be read with the Web browser.

6.6.3 Dynamic C FAT File System, RabbitWeb, and SSL Modules

The Dynamic C FAT File System, RabbitWeb, and Secure Sockets Layer (SSL) modules have been integrated into a sample program for the RCM3750. The sample program requires that you have installed the Dynamic C FAT File System, RabbitWeb, and SSL modules. Visit our Web site at www.rabbit.com or contact your Rabbit Semiconductor sales representative or authorized distributor for further information on these Dynamic C modules.

NOTE: These sample programs will work on the RCM3700, the RCM3720, and the RCM3750, but *not* the RCM3710. The RCM3700 RabbitCore modules do not support the download manager portion of the sample program.

TIP: Before running any of the sample programs described in this section, you should look at and run sample programs for the TCP/IP `ZSERVER.LIB` library, the FAT file system, RabbitWeb, SSL, the download manager, and HTTP upload to become more familiar with their operation.

The `INTEGRATION.C` sample program in the `SAMPLES\RCM3700\Module_Integration` and the `SAMPLES\RCM3720\Module_Integration` folders demonstrate the use of the TCP/IP `ZSERVER.LIB` library and FAT file system functionality with RabbitWeb dynamic HTML content, all secured using SSL. The sample program also supports dynamic updates of both the application and its resources using the Rabbit Download

Manager (DLM) and HTTP upload capability, respectively—note that neither of these currently supports SSL security.

Before you run the **INTEGRATION.C** sample program, you will first need to format and partition the serial flash. Find the **FMT_DEVICE.C** sample program in the Dynamic C **SAMPLES\FileSystem** folder. Open this sample program with the **File > Open** menu, then compile and run it by pressing **F9**. **FMT_DEVICE.C** formats the serial flash for use with the FAT file system. If the serial flash is already formatted, **FMT_DEVICE.C** gives you the option of erasing the serial flash and reformatting it with a single large partition. This erasure does not check for non-FAT partitions and will destroy *all* existing partitions.

Next, run the **INTEGRATION_FAT_SETUP.C** sample program in the Dynamic C **SAMPLES\RCM3700\Module_Integration** folder. Open this sample program with the **File > Open** menu, then compile and run it by pressing **F9**. **INTEGRATION_FAT_SETUP.C** will copy some files into the FAT file system via **#ximport**.

The last step to complete before you can run the **INTEGRATION.C** sample program is to create an SSL certificate. The SSL walkthrough in the online documentation for the Dynamic C SSL module explains how to do this.

Now you are ready to run the **INTEGRATION.C** sample program in the Dynamic C **SAMPLES\RCM3700\Module_Integration** folder. Open this sample program with the **File > Open** menu, then compile and run it by pressing **F9**.

NOTE: Since HTTP upload and the Dynamic C SSL module currently do not work together, compiling the **INTEGRATION.C** sample program will generate a serious warning. Ignore the warning because we are not using HTTP upload over SSL. A macro (**HTTP_UPLOAD_SSL_SUPRESS_WARNING**) is available to suppress the warning message.

Open a Web browser, and browse to the device using the IP address from the **TCP_CONFIG.LIB** library or the URL you assigned to the device. The humidity monitor will be displayed in your Web browser. This page is accessible via plain HTTP or over SSL-secured HTTPS. Click on the administrator link to bring up the admin page, which is secured automatically using SSL with a user name and a password. Use **myadmin** for user name and use **myadmin** for the password.

The admin page demonstrates some RabbitWeb capabilities and provides access to the HTTP upload page. Click the upload link to bring up the HTTP upload page, which allows you to choose new files for both the humidity monitor and the admin page. If your browser prompts you again for your user name and password, they are the same as before.

Note that the upload page is a static page included in the program flash, and can only be updated by recompiling and downloading the application. This way, the page is protected so that you cannot accidentally change it, possibly restricting yourself from performing future updates. If you wish, you may place the upload page into the FAT file system to allow the upload page to be updated.

To try out the update capability, click the upload link on the admin page and choose a simple text file to replace `monitor.ztm`. Open another browser window and load the main Web page. You will see that your text file has replaced the humidity monitor. To restore the monitor, go back to the other window, click back to go to the upload page again, and choose `HUMIDITY_MONITOR.ZHTML` to replace `monitor.ztm`, and click **Upload**.

When you refresh the page in your browser, you will see that the page has been restored. You have successfully updated and restored your application's files remotely!

When you are finished with the `INTEGRATION.C` sample program, you need to follow a special shutdown procedure before powering off to prevent any possible corruption of the FAT file system. Press and hold switch S1 on the Prototyping Board until LED DS1 blinks rapidly to indicate that it is now safe to turn the RCM3750 off. This procedure can be modified by the user to provide other application-specific shutdown tasks.

6.7 Where Do I Go From Here?

NOTE: If you purchased your RCM3750 through a distributor or through a Rabbit Semiconductor partner, contact the distributor or partner first for technical support.

If there are any problems at this point:

- Use the Dynamic C **Help** menu to get further assistance with Dynamic C.
- Check the Rabbit Semiconductor Technical Bulletin Board at www.rabbit.com/support/bb/.
- Use the Technical Support e-mail form at www.rabbit.com/support/.

If the sample programs ran fine, you are now ready to go on.

Additional sample programs are described in the *Dynamic C TCP/IP User's Manual*.

Please refer to the *Dynamic C TCP/IP User's Manual* to develop your own applications. *An Introduction to TCP/IP* provides background information on TCP/IP, and is available on the CD and on our [Web site](#).



APPENDIX A. RCM3750 SPECIFICATIONS

Appendix A provides the specifications for the RCM3750, and describes the conformal coating.

A.1 Electrical and Mechanical Characteristics

Figure A-1 shows the mechanical dimensions for the RCM3750.

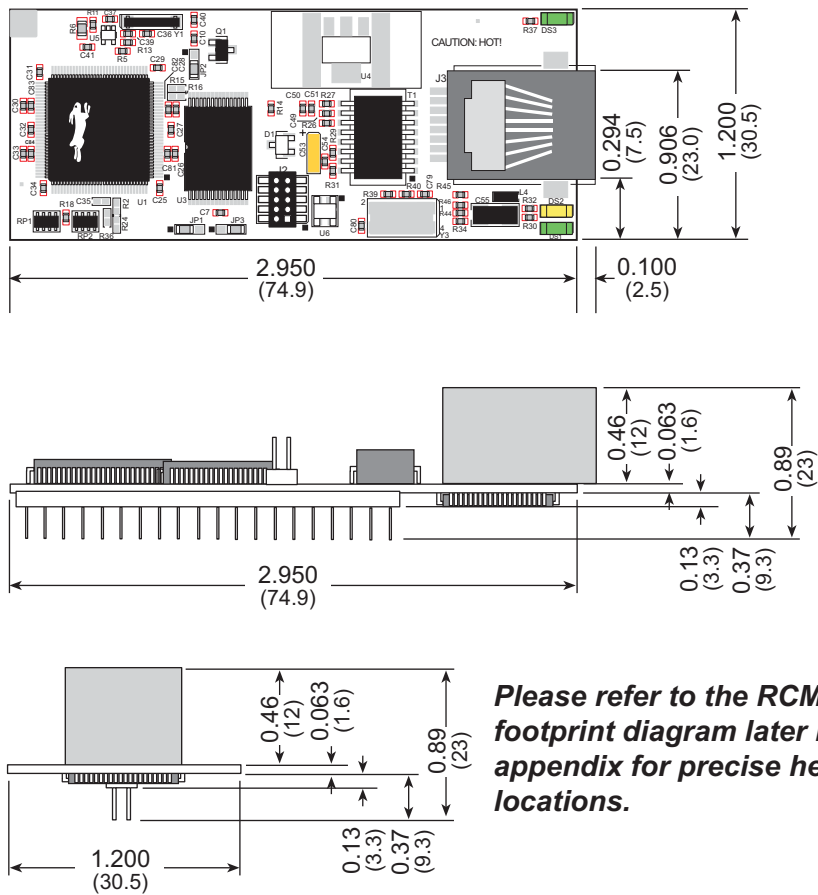


Figure A-1. RCM3750 Dimensions

NOTE: All measurements are in inches followed by millimeters enclosed in parentheses. All dimensions have a manufacturing tolerance of ± 0.01 " (0.25 mm).

It is recommended that you allow for an “exclusion zone” of 0.04" (1 mm) around the RCM3750 in all directions when the RCM3750 is incorporated into an assembly that includes other printed circuit boards. An “exclusion zone” of 0.16" (4 mm) is recommended below the RCM3750 when the RCM3750 is plugged into another assembly using the shortest connectors for header J1. Figure A-2 shows this “exclusion zone.”

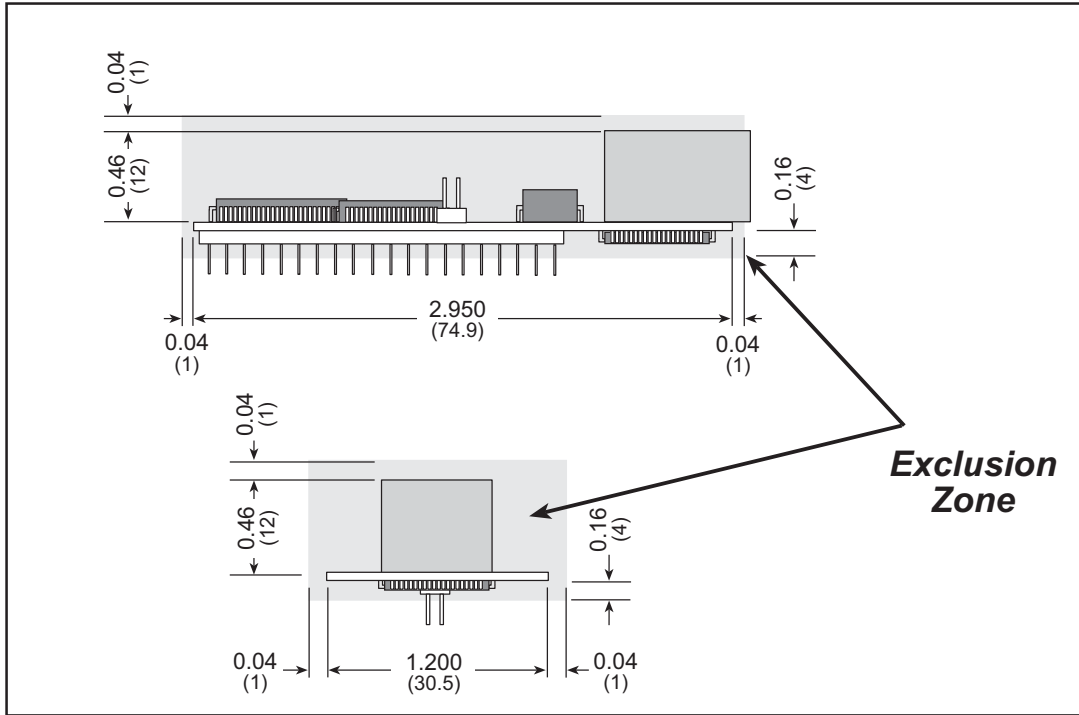


Figure A-2. RCM3750 “Exclusion Zone”

Table A-1 lists the electrical, mechanical, and environmental specifications for the RCM3750.

Table A-1. RabbitCore RCM3750 Specifications

Parameter	RCM3750
Microprocessor	Low-EMI Rabbit® 3000 at 22.1 MHz
Ethernet Port	10/100Base-T interface, RJ-45, 3 LEDs
Flash Memory	512K
SRAM	512K
Serial Flash Memory	1Mbyte
Backup Battery	Connection for user-supplied backup battery (to support RTC and SRAM)
General-Purpose I/O	33 parallel digital I/O lines: <ul style="list-style-type: none"> • 31 configurable I/O • 2 fixed outputs
Additional I/O	Reset
Auxiliary I/O Bus	Can be configured for 8 data lines and 5 address lines (shared with parallel I/O lines), plus I/O read/write
Serial Ports	Four 3.3 V CMOS-compatible ports configurable as: <ul style="list-style-type: none"> • 4 asynchronous serial ports (with IrDA) or • 3 clocked serial ports (SPI) plus 1 HDLC (with IrDA) or • 1 clocked serial port (SPI) plus 2 HDLC serial ports (with IrDA)
Serial Rate	Maximum asynchronous baud rate = CLK/8
Slave Interface	A slave port allows the RCM3750 to be used as an intelligent peripheral device slaved to a master processor, which may either be another Rabbit 3000 or any other type of processor
Real-Time Clock	Yes
Timers	Ten 8-bit timers (6 cascadable, 3 reserved for internal peripherals), one 10-bit timer with 2 match registers
Watchdog/Supervisor	Yes
Pulse-Width Modulators	4 PWM output channels with 10-bit free-running counter and priority interrupts
Input Capture/Quadrature Decoder	2-channel input capture can be used to time input signals from various port pins <ul style="list-style-type: none"> • 1 quadrature decoder unit accepts inputs from external incremental encoder modules or • 1 quadrature decoder unit shared with 2 PWM channels
Power (with Ethernet active)	4.75–5.25 V DC 175 mA @ 22.1 MHz, 150 mA @ 11.05 MHz
Operating Temperature	-40°C to +70°C
Humidity	5% to 95%, noncondensing

Table A-1. RabbitCore RCM3750 Specifications (continued)

Parameter	RCM3750
Connectors	One 2 x 20, 0.1" pitch
Board Size	1.20" x 2.95" x 0.89" (30 mm x 75 mm x 23 mm)

A.1.1 Headers

The RCM3750 uses one header at J1 for physical connection to other boards. J1 is a 2 x 20 SMT header with a 0.1" pin spacing.

Figure A-3 shows the layout of another board for the RCM3750 to be plugged into. These values are relative to the designated fiducial (reference point).

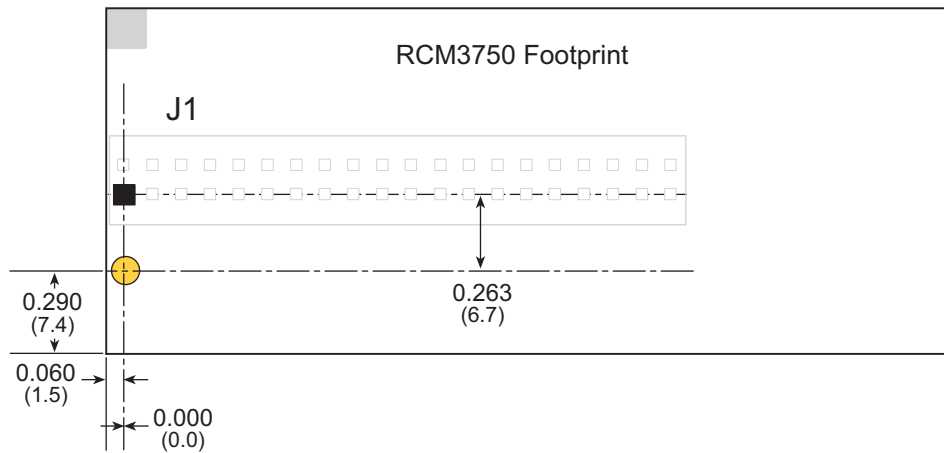


Figure A-3. User Board Footprint for RCM3750

A.2 Bus Loading

You must pay careful attention to bus loading when designing an interface to the RCM3750. This section provides bus loading information for external devices.

Table A-2 lists the capacitance for the various RCM3750 I/O ports.

Table A-2. Capacitance of Rabbit 3000 I/O Ports

I/O Ports	Input Capacitance (pF)	Output Capacitance (pF)
Parallel Ports A to G	12	14

Table A-3 lists the external capacitive bus loading for the various RCM3750 output ports. Be sure to add the loads for the devices you are using in your custom system and verify that they do not exceed the values in Table A-3.

Table A-3. External Capacitive Bus Loading -40°C to +85°C

Output Port	Clock Speed (MHz)	Maximum External Capacitive Loading (pF)
All I/O lines with clock doubler enabled	22.1	100

Figure A-4 shows a typical timing diagram for the Rabbit 3000 microprocessor external I/O read and write cycles.

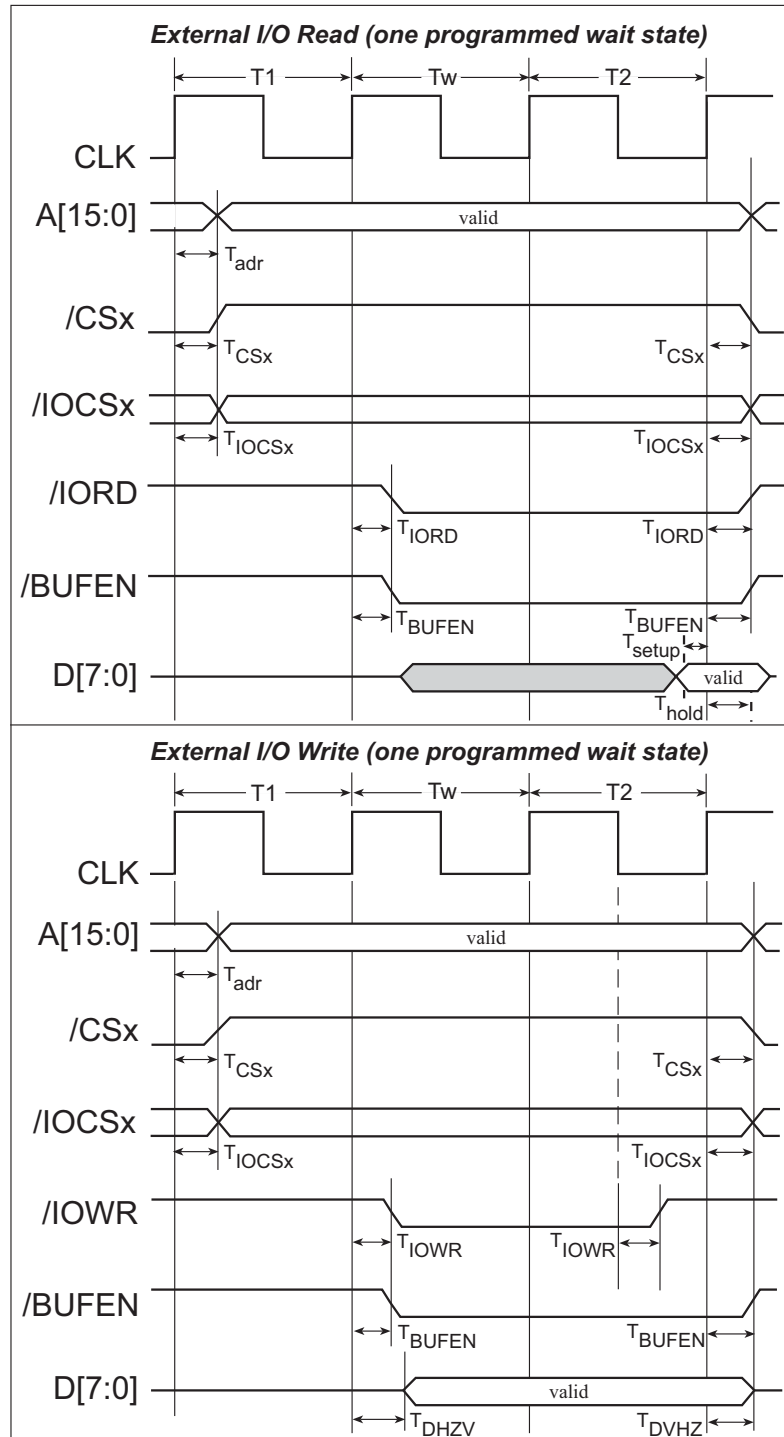


Figure A-4. I/O Read and Write Cycles—No Extra Wait States

NOTE: /IOCSx can be programmed to be active low (default) or active high.

Table A-4 lists the delays in gross memory access time.

Table A-4. Data and Clock Delays $V_{IN} \pm 10\%$, Temp, -40°C – $+85^{\circ}\text{C}$ (maximum)

VIN	Clock to Address Output Delay (ns)			Data Setup Time Delay (ns)	Spectrum Spreader Delay (ns)	
	30 pF	60 pF	90 pF		Normal no dbl/dbl	Strong no dbl/dbl
3.3 V	6	8	11	1	3/4.5	4.5/9

The measurements are taken at the 50% points under the following conditions.

- $T = -40^{\circ}\text{C}$ to 85°C , $V = V_{DD} \pm 10\%$
- Internal clock to nonloaded CLK pin delay ≤ 1 ns @ $85^{\circ}\text{C}/3.0$ V

The clock to address output delays are similar, and apply to the following delays.

- T_{adr} , the clock to address delay
- T_{CSx} , the clock to memory chip select delay
- T_{IOCSx} , the clock to I/O chip select delay
- T_{IORD} , the clock to I/O read strobe delay
- T_{IOWR} , the clock to I/O write strobe delay
- T_{BUFEN} , the clock to I/O buffer enable delay

The data setup time delays are similar for both T_{setup} and T_{hold} .

When the spectrum spreader is enabled with the clock doubler, every other clock cycle is shortened (sometimes lengthened) by a maximum amount given in the table above. The shortening takes place by shortening the high part of the clock. If the doubler is not enabled, then every clock is shortened during the low part of the clock period. The maximum shortening for a pair of clocks combined is shown in the table.

Technical Note TN227, *Interfacing External I/O with Rabbit 2000/3000 Designs*, contains suggestions for interfacing I/O devices to the Rabbit 3000 microprocessors.

A.3 Rabbit 3000 DC Characteristics

Table A-5. Rabbit 3000 Absolute Maximum Ratings

Symbol	Parameter	Maximum Rating
T_A	Operating Temperature	-55° to +85°C
T_S	Storage Temperature	-65° to +150°C
	Maximum Input Voltage: <ul style="list-style-type: none"> • Oscillator Buffer Input • 5-V-tolerant I/O 	$V_{DD} + 0.5\text{ V}$ 5.5 V
V_{DD}	Maximum Operating Voltage	3.6 V

Stresses beyond those listed in Table A-5 may cause permanent damage. The ratings are stress ratings only, and functional operation of the Rabbit 3000 chip at these or any other conditions beyond those indicated in this section is not implied. Exposure to the absolute maximum rating conditions for extended periods may affect the reliability of the Rabbit 3000 chip.

Table A-6 outlines the DC characteristics for the Rabbit 3000 at 3.3 V over the recommended operating temperature range from $T_A = -55^\circ\text{C}$ to $+85^\circ\text{C}$, $V_{DD} = 3.0\text{ V}$ to 3.6 V .

Table A-6. 3.3 Volt DC Characteristics

Symbol	Parameter	Test Conditions	Min	Typ	Max	Units
V_{DD}	Supply Voltage		3.0	3.3	3.6	V
V_{IH}	High-Level Input Voltage		2.0			V
V_{IL}	Low-Level Input Voltage				0.8	V
V_{OH}	High-Level Output Voltage	$I_{OH} = 6.8\text{ mA}$, $V_{DD} = V_{DD}(\text{min})$	$0.7 \times V_{DD}$			V
V_{OL}	Low-Level Output Voltage	$I_{OL} = 6.8\text{ mA}$, $V_{DD} = V_{DD}(\text{min})$			0.4	V
I_{IH}	High-Level Input Current (absolute worst case, all buffers)	$V_{IN} = V_{DD}$, $V_{DD} = V_{DD}(\text{max})$			10	μA
I_{IL}	Low-Level Input Current (absolute worst case, all buffers)	$V_{IN} = V_{SS}$, $V_{DD} = V_{DD}(\text{max})$	-10			μA
I_{OZ}	High-Impedance State Output Current (absolute worst case, all buffers)	$V_{IN} = V_{DD}$ or V_{SS} , $V_{DD} = V_{DD}(\text{max})$, no pull-up	-10		10	μA

A.4 I/O Buffer Sourcing and Sinking Limit

Unless otherwise specified, the Rabbit I/O buffers are capable of sourcing and sinking 6.8 mA of current per pin at full AC switching speed. Full AC switching assumes a 22.1 MHz CPU clock and capacitive loading on address and data lines of less than 100 pF per pin. The absolute maximum operating voltage on all I/O is 5.5 V.

Table A-7 shows the AC and DC output drive limits of the parallel I/O buffers when the Rabbit 3000 is used in the RCM3750.

Table A-7. I/O Buffer Sourcing and Sinking Capability

Pin Name	Output Drive (Full AC Switching) Sourcing/Sinking Limits (mA)	
	Sourcing	Sinking
All data, address, and I/O lines with clock doubler enabled	6.8	6.8

Under certain conditions, you can exceed the limits outlined in Table A-7. See the *Rabbit 3000 Microprocessor User's Manual* for additional information.

A.5 Conformal Coating

The areas around the 32 kHz real-time clock crystal oscillator have had the Dow Corning silicone-based 1-2620 conformal coating applied. The conformally coated area is shown in Figure A-5. The conformal coating protects these high-impedance circuits from the effects of moisture and contaminants over time.

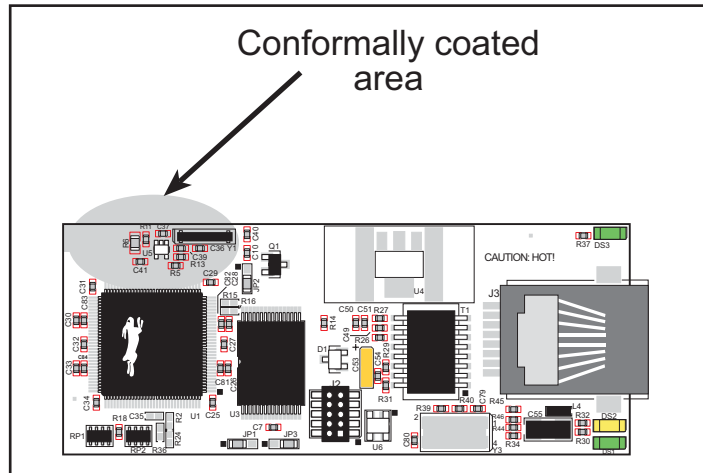


Figure A-5. RCM3750 Areas Receiving Conformal Coating

Any components in the conformally coated area may be replaced using standard soldering procedures for surface-mounted components. A new conformal coating should then be applied to offer continuing protection against the effects of moisture and contaminants.

NOTE: For more information on conformal coatings, refer to Technical Note 303, *Conformal Coatings*.

A.6 Jumper Configurations

Figure A-6 shows the header locations used to configure the various RCM3750 options via jumpers.

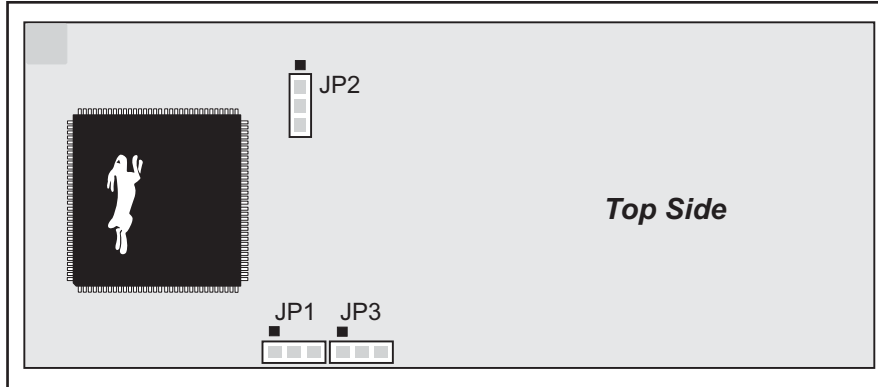


Figure A-6. Location of RCM3750 Jumper Positions

Table A-8 lists the configuration options.

Table A-8. RCM3750 Jumper Configurations

Header	Description	Pins Connected		Factory Default
JP1	Flash Memory Bank Select	1-2	Normal Mode	×
		2-3	Bank Mode	
JP2	SRAM Size	1-2	128K-256K	
		2-3	512K	×
JP3	Flash Memory Size	1-2	256K	
		2-3	512K	×

NOTE: The jumper connections are made using 0 Ω surface-mounted resistors.



APPENDIX B. PROTOTYPING BOARD

Two different Prototyping Boards are available for the RCM3700 series of RabbitCore modules. The RCM3700 Prototyping Board has power-supply connections and also provides some basic I/O peripherals (RS-232, RS-485, A/D converter, IrDA transceiver, LEDs, and switches), as well as a prototyping area for more advanced hardware development. The RCM3720 Prototyping Board was designed specifically for the Ethernet Connection Kit, and only has the power-supply connections, prototyping area, LEDs, switches, and space for an optional RS-232 chip to be installed.

Either Prototyping Board may be used with the full line of RCM3700 RabbitCore modules. Appendix B describes the features and accessories for the two prototyping boards.

B.1 RCM3700 Prototyping Board

The RCM3700 Prototyping Board included in the RCM3750 Development Kit makes it easy to connect an RCM3750 module to a power supply and a PC workstation for development. It also provides some basic I/O peripherals (RS-232, RS-485, A/D converter, IrDA transceiver, LEDs, and switches), as well as a prototyping area for more advanced hardware development.

For the most basic level of evaluation and development, the RCM3700 Prototyping Board can be used without modification.

As you progress to more sophisticated experimentation and hardware development, modifications and additions can be made to the board without modifying the RCM3750 module.

The RCM3700 Prototyping Board is shown below in Figure B-1, with its main features identified.

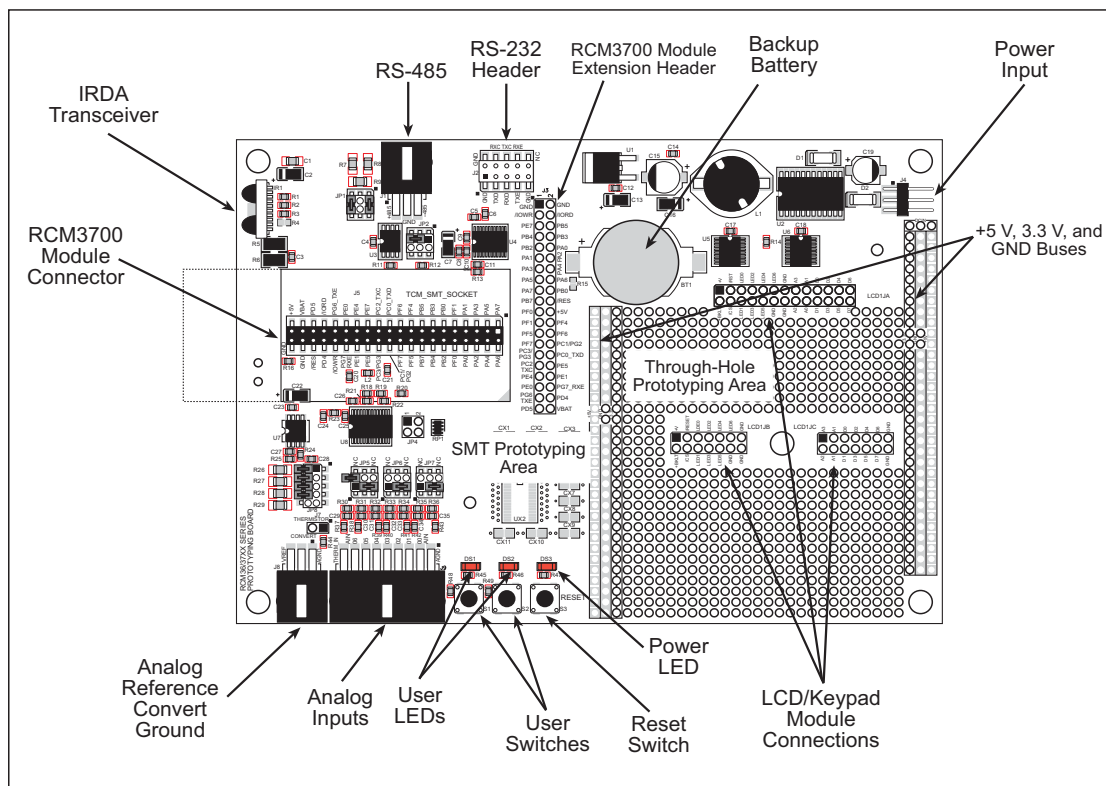


Figure B-1. RCM3700 Prototyping Board

B.1.1 Features

- **Power Connection**—A 3-pin header is provided for connection to the power supply. Note that the 3-pin header is symmetrical, with both outer pins connected to ground and the center pin connected to the raw DCIN input. The cable of the AC adapter provided with the North American version of the Development Kit ends in a plug that connects to the power-supply header, and can be connected to the 3-pin header in either orientation. A similar header plug leading to bare leads is provided for overseas customers.

Users providing their own power supply should ensure that it delivers 7.5–30 V DC at 500 mA. The voltage regulators will get warm while in use.

- **Regulated Power Supply**—The raw DC voltage provided at the POWER IN jack is routed to a 5 V switching voltage regulator, then to a separate 3.3 V linear regulator. The regulators provide stable power to the RCM3750 module and the Prototyping Board.
- **Power LED**—The power LED lights whenever power is connected to the Prototyping Board.
- **Reset Switch**—A momentary-contact, normally open switch is connected directly to the RCM3750's **/RESET_IN** pin. Pressing the switch forces a hardware reset of the system.
- **I/O Switches and LEDs**—Two momentary-contact, normally open switches are connected to the PF4 and PB7 pins of the RCM3750 module and may be read as inputs by sample applications.

Two LEDs are connected to the PF6 and PF7 pins of the RCM3750 module, and may be driven as output indicators by sample applications.

- **Prototyping Area**—A generous prototyping area has been provided for the installation of through-hole components. +3.3 V, +5 V, and Ground buses run at both edges of this area. Several areas for surface-mount devices are also available. (Note that there are SMT device pads on both top and bottom of the Prototyping Board.) Each SMT pad is connected to a hole designed to accept a 30 AWG solid wire or wire-wrap wire.
- **LCD/Keypad Module**—Rabbit Semiconductor's LCD/keypad module may be plugged in directly to headers LCD1JA, LCD1JB, and LCD1JC. The signals on headers LCD1JB and LCD1JC will be available only if the LCD/keypad module is plugged in to header LCD1JA. Appendix C provides complete information for mounting and using the LCD/keypad module.
- **Module Extension Headers**—The complete non-analog pin set of the RCM3750 module is duplicated at header J3. Developers can solder wires directly into the appropriate holes, or, for more flexible development, a 2 × 20 header strip with a 0.1" pitch can be soldered into place. See Figure B-4 for the header pinouts.
- **Analog I/O Shrouded Headers**—The complete analog pin set of the RCM3750 Prototyping Board is available on shrouded headers J8 and J9. See Figure B-4 for the header pinouts.

- **RS-232**—Three 3-wire serial ports or one 5-wire RS-232 serial port and one 3-wire serial port are available on the Prototyping Board at header J2. A jumper on header JP2 is used to select the drivers for Serial Port E, which can be set either as a 3-wire RS-232 serial port or as an RS-485 serial port. Serial Ports C and D are not available while the IrDA transceiver is in use.

A 10-pin 0.1-inch spacing header strip is installed at J2 allows you to connect a ribbon cable that leads to a standard DE-9 serial connector.

- **RS-485**—One RS-485 serial port is available on the Prototyping Board at shrouded header J1. A 3-pin shrouded header is installed at J1. A jumper on header JP2 enables the RS-485 output for Serial Port E.
- **IrDA**—An infrared transceiver is included on the Prototyping Board, and is capable of handling link distances up to 1.5 m. The IrDA uses Serial Port F—Serial Ports C and D are unavailable while Serial Port F is in use.
- **Backup Battery**—A 2032 lithium-ion battery rated at 3.0 V, 220 mA·h, provides battery backup for the RCM3750 SRAM and real-time clock.

B.1.2 Mechanical Dimensions and Layout

Figure B-2 shows the mechanical dimensions and layout for the RCM3700 Prototyping Board.

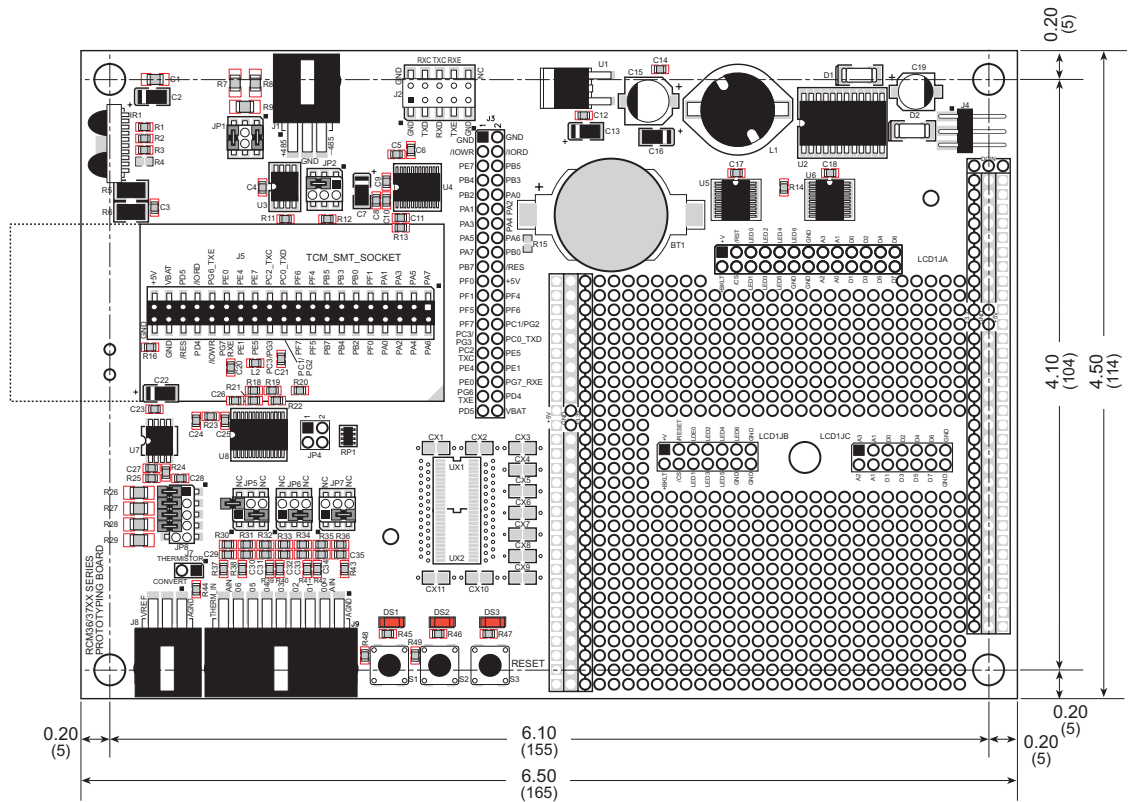


Figure B-2. RCM3700 Prototyping Board Dimensions

Table B-1 lists the electrical, mechanical, and environmental specifications for the RCM3700 Prototyping Board.

Table B-1. RCM3700 Prototyping Board Specifications

Parameter	Specification
Board Size	4.50" × 6.50" × 0.75" (114 mm × 165 mm × 19 mm)
Operating Temperature	−20°C to +60°C
Humidity	5% to 95%, noncondensing
Input Voltage	7.5 V to 30 V DC
Maximum Current Draw (including user-added circuits)	800 mA max. for +3.3 V supply, 1 A total +3.3 V and +5 V combined
A/D Converter	8-channel ADS7870 with programmable gain configurable for 11-bit single-ended, 12-bit differential, and 4–20 mA inputs <ul style="list-style-type: none"> • Input impedance 6–7 MΩ • A/D conversion time (including 120 μs raw count and Dynamic C) 180 μs
IrDA Transceiver	HSDL-3602, link distances up to 1.5 m
Prototyping Area	2.5" × 3" (64 mm × 76 mm) throughhole, 0.1" spacing, additional space for SMT components
Standoffs/Spacers	5, accept 4-40 × 1/2 screws

B.1.3 Power Supply

The RCM3700, RCM3710, RCM3720, and RCM3750 operate from a regulated 4.75 V to 5.25 V DC power source. Only +5 V DC is supplied to the TCM_SMT_SOCKET socket.

The RCM3700 Prototyping Board has an onboard +5 V switching power regulator from which a +3.3 V linear regulator draws its supply. Thus both +5 V and +3.3 V are available on the RCM3700 Prototyping Board.

The RCM3700 Prototyping Board itself is protected against reverse polarity by a Shottky diode at D2 as shown in Figure B-3.

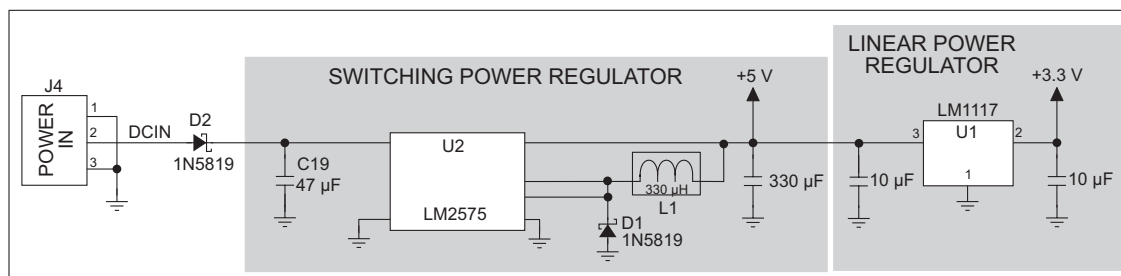


Figure B-3. RCM3700 Prototyping Board Power Supply

B.1.4 Using the RCM3700 Prototyping Board

The RCM3700 Prototyping Board is actually both a demonstration board and a prototyping board. As a demonstration board, it can be used to demonstrate the functionality of the RCM3750 right out of the box without any modifications.

Figure B-4 shows the RCM3700 Prototyping Board pinouts.

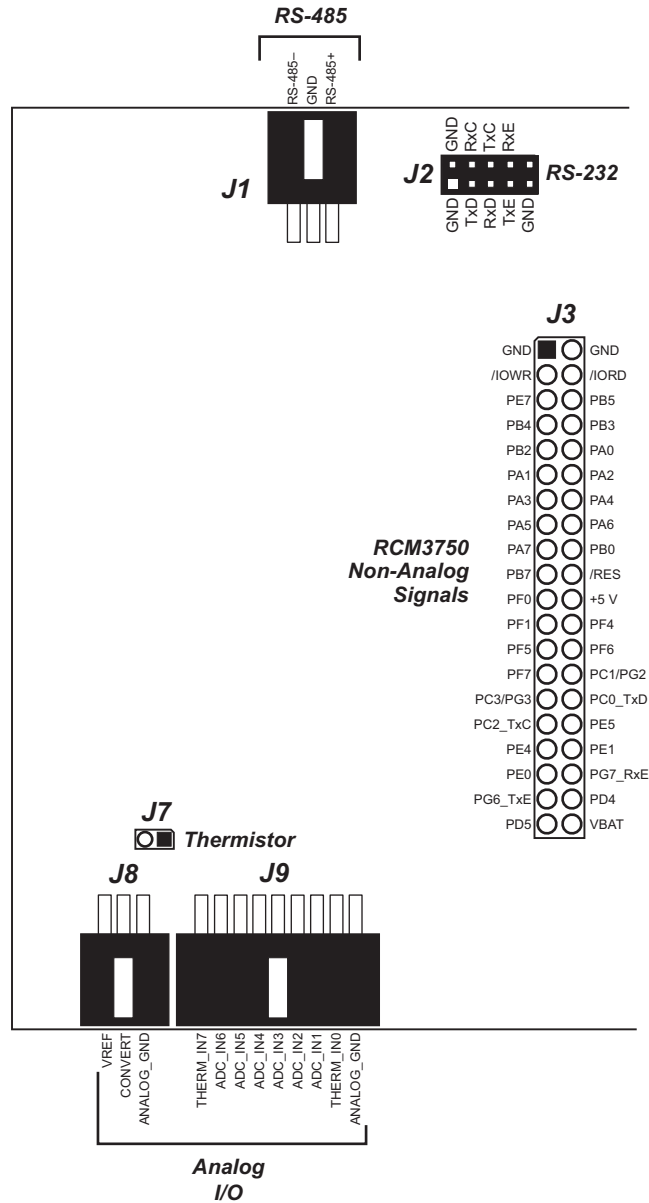


Figure B-4. RCM3700 Prototyping Board Pinout

The RCM3700 Prototyping Board comes with the basic components necessary to demonstrate the operation of the RCM3750. Two LEDs (DS1 and DS2) are connected to PF6 and PF7, and two switches (S1 and S2) are connected to PF4 and PB7 to demonstrate the interface to the Rabbit 3000 microprocessor. Reset switch S3 is the hardware reset for the RCM3750.

The RCM3700 Prototyping Board provides the user with RCM3750 connection points brought out conveniently to labeled points at header J3 on the RCM3700 Prototyping Board. Although header J3 is unstuffed, a 2×20 header is included in the bag of parts. RS-485 signals are available on shrouded header J1, and RS-232 signals (Serial Ports C, D, and E) are available on header J2. A header strip at J2 allows you to connect a ribbon cable. A shrouded header connector and wiring harness are included with the RCM3700 Development Kit parts to help you access the RS-485 signals on shrouded header J1.

There is a $2.5" \times 3"$ through-hole prototyping space available on the RCM3700 Prototyping Board. The holes in the prototyping area are spaced at 0.1" (2.5 mm). +3.3 V, +5 V, and GND traces run along both edges of the prototyping area for easy access. Small to medium circuits can be prototyped using point-to-point wiring with 20 to 30 AWG wire between the prototyping area, the +3.3 V, +5 V, and GND traces, and the surrounding area where surface-mount components may be installed. Small holes are provided around the surface-mounted components that may be installed around the prototyping area.

B.1.4.1 Adding Other Components

There are two sets of pads for 28-pin devices that can be used for surface-mount prototyping SOIC devices. (Although the adjacent sets of pads could accommodate up to a 56-pin device, they do not allow for the overlap between two 28-pin devices.) There are also pads that can be used for SMT resistors and capacitors in an 0805 SMT package. Each component has every one of its pin pads connected to a hole in which a 30 AWG wire can be soldered (standard wire-wrap wire can be soldered in for point-to-point wiring on the RCM3700 Prototyping Board). Because the traces are very thin, carefully determine which set of holes is connected to which surface-mount pad.

B.1.5 Analog Features

The RCM3700 Prototyping Board has an onboard ADS7870 A/D converter to demonstrate the interface capabilities of the Rabbit 3000. The A/D converter multiplexes converted signals from eight single-ended or three differential inputs to alternate Serial Port B on the Rabbit 3000 (Parallel Port pins PD4 and PD5).

B.1.5.1 A/D Converter Inputs

Figure B-5 shows a pair of A/D converter input circuits. The resistors form an approx. 10:1 attenuator, and the capacitor filters noise pulses from the A/D converter input.

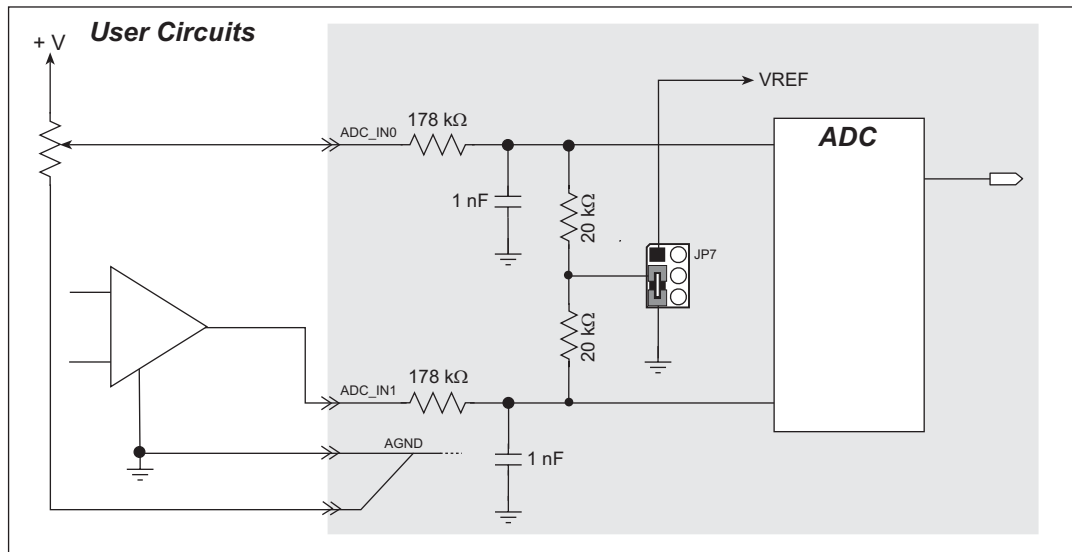


Figure B-5. A/D Converter Inputs

The A/D converter chip can make either single-ended or differential measurements depending on the value of the `opmode` parameter in the software function call. Adjacent A/D converter inputs can be paired to make differential measurements. The default setup on the Prototyping Board is to measure only positive voltages for the ranges listed in Table B-2.

Table B-2. Positive A/D Converter Input Voltage Ranges

Min. Voltage (V)	Max. Voltage (V)	Amplifier Gain	mV per Count
0.0	+20.0	1	10
0.0	+10.0	2	5
0.0	+5.0	4	2.5
0.0	+4.0	5	2.0
0.0	+2.5	8	1.25
0.0	+2.0	10	1.0
0.0	+1.25	16	0.625
0.0	+1.0	20	0.500

Other possible ranges are possible by physically changing the resistor values that make up the attenuator circuit.

It is also possible to read a negative voltage on ADC_IN0 to ADC_IN5 by moving the jumper (see Figure B-5) on header JP7, JP6, or JP5 associated with the A/D converter input from analog ground to VREF, the reference voltage generated and buffered by the A/D converter. Adjacent input channels are paired so that moving a particular jumper changes both of the paired channels. At the present time Rabbit Semiconductor does not offer the software drivers to work with single-ended negative voltages, but the differential mode described below may be used to measure negative voltages.

NOTE: THERM_IN7 was configured to illustrate the use of a thermistor with the sample program, and so is not available for use as a differential input. There is also no resistor attenuator for THERM_IN7, so its input voltage range is limited.

Differential measurements require two channels. As the name *differential* implies, the difference in voltage between the two adjacent channels is measured rather than the difference between the input and analog ground. Voltage measurements taken in differential mode have a resolution of 12 bits, with the 12th bit indicating whether the difference is positive or negative.

The A/D converter chip can only accept positive voltages. Both differential inputs must be referenced to analog ground, and ***both inputs must be positive with respect to analog ground***. Table B-3 provides the differential voltage ranges for this setup.

Table B-3. Differential Voltage Ranges

Min. Differential Voltage (V)	Max. Differential Voltage (V)	Amplifier Gain	mV per Count
0	±20.0	x1	10
0	±10.0	x2	5
0	±5.0	x4	2.5
0	±4.0	x5	2.0
0	±2.5	x8	1.25
0	±2.0	x10	1.00
0	±1.25	x16	0.625
0	±1.0	x20	0.500

The A/D converter inputs can also be used with 4–20 mA current sources by measuring the resulting analog voltage drop across 249 Ω 1% precision resistors placed between the analog input and analog ground for ADC_IN3 to ADC_IN6. Be sure to reconfigure the jumper positions on header JP8 as shown in Section B.1.8 using the slip-on jumpers included with the spare parts in the Development Kit.

B.1.5.2 Thermistor Input

Analog input THERM_IN7 on the Prototyping Board was designed specifically for use with a thermistor in conjunction with the `THERMISTOR.C` sample program, which demonstrates how to use analog input THERM_IN7 to calculate temperature for display to the Dynamic C **STUDIO** window. The sample program is targeted specifically for the thermistor included with the Development Kit with $R_0 @ 25^\circ\text{C} = 3 \text{ k}\Omega$ and $\beta 25/85 = 3965$. Be sure to use the applicable R_0 and β values for your thermistor if you use another thermistor. Install the thermistor at location J7, which is shown in Figure B-4.

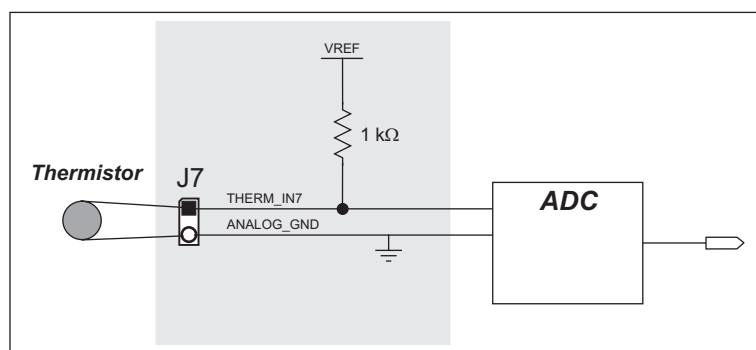


Figure B-6. RCM3700 Prototyping Board Thermistor Input

B.1.5.3 Other A/D Converter Features

The A/D converter's internal reference voltage is software-configurable for 1.15 V, 2.048 V, or 2.5 V. The scaling circuitry on the Prototyping Board and the sample programs are optimized for an internal reference voltage of 2.048 V. This internal reference voltage is available on pin 3 of shrouded header J8 as VREF, and allows you to convert analog input voltages that are negative with respect to analog ground.

NOTE: The amplifier inside the A/D converter's internal voltage reference circuit has a very limited output-current capability. The internal buffer can source up to 20 mA and sink only up to 20 μ A. A separate buffer amplifier at U7 supplies the load current.

The A/D converter's CONVERT pin is available on pin 2 of shrouded header J8, and can be used as a hardware means of forcing the A/D converter to start a conversion cycle. The CONVERT signal is an edge-triggered event and has a hold time of two CCLK periods for debounce.

A conversion is started by an active (rising) edge on the CONVERT pin. The CONVERT pin must stay low for at least two CCLK periods before going high for at least two CCLK periods. Figure B-7 shows the timing of a conversion cycle. The double falling arrow on CCLK indicates the actual start of the conversion cycle.

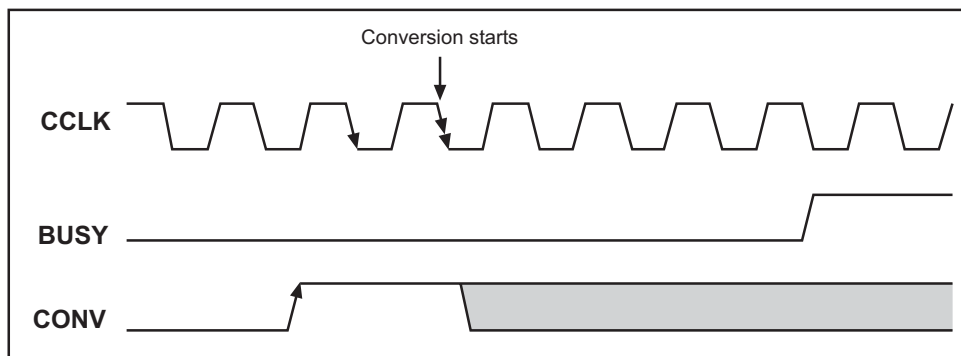


Figure B-7. Timing Diagram for Conversion Start Using CONVERT Pin

B.1.5.4 A/D Converter Calibration

To get the best results from the A/D converter, it is necessary to calibrate each mode (single-ended, differential, and current) for each of its gains. It is imperative that you calibrate each of the A/D converter inputs in the same manner as they are to be used in the application. For example, if you will be performing floating differential measurements or differential measurements using a common analog ground, then calibrate the A/D converter in the corresponding manner. The calibration must be done with the attenuator reference selection jumper in the desired position (see Figure B-5). If a calibration is performed and the jumper is subsequently moved, the corresponding input(s) must be recalibrated. The calibration table in software only holds calibration constants based on mode, channel, and gain. ***Other factors affecting the calibration must be taken into account by calibrating using the same mode and gain setup as in the intended use.***

Sample programs are provided to illustrate how to read and calibrate the various A/D inputs for the three operating modes.

Mode	Read	Calibrate
Single-Ended, one channel	—	AD_CALSE_CH.C
Single-Ended, all channels	AD_RDSE_ALL.C	AD_CALSE_ALL.C
Milliamp, one channel	AD_RDMA_CH.C	AD_CALMA_CH.C
Differential, analog ground	AD_RDDIFF_CH.C	AD_CALDIFF_CH.C

These sample programs are found in the ADC subdirectory in `SAMPLES\RCM3700`. See Section 3.2.3 for more information on these sample programs and how to use them.

B.1.6 Serial Communication

The RCM3700 Prototyping Board allows you to access five of the serial ports from the RCM3750 module. Table B-4 summarizes the configuration options.

Table B-4. RCM3700 Prototyping Board Serial Port Configurations

Serial Port	Signal Header	Configured via Header	Default Use	Alternate Use
C	J2	JP2	RS-232	—
D	J2	JP2	RS-232	—
E	J1, J2	JP1, JP2	RS-485 (J1)	RS-232 (J2)

Serial Port E is configured in hardware for RS-232 or RS-485 via jumpers on header JP2 as shown in Section B.1.8. Serial Port F is configured in software for the IrDA transceiver in lieu of Serial Ports C and D.

B.1.6.1 RS-232

RS-232 serial communication on the RCM3700 Prototyping Board is supported by an RS-232 transceiver installed at U4. This transceiver provides the voltage output, slew rate, and input voltage immunity required to meet the RS-232 serial communication protocol. Basically, the chip translates the Rabbit 3000's signals to RS-232 signal levels. Note that the polarity is reversed in an RS-232 circuit so that a +5 V output becomes approximately -10 V and 0 V is output as +10 V. The RS-232 transceiver also provides the proper line loading for reliable communication.

RS-232 can be used effectively at the RCM3750 module's maximum baud rate for distances of up to 15 m.

RS-232 flow control on an RS-232 port is initiated in software using the `serXflowcontrolOn` function call from `RS232.LIB`, where `X` is the serial port (C or D). The locations of the flow control lines are specified using a set of five macros.

- `SERX_RTS_PORT`—Data register for the parallel port that the RTS line is on (e.g., PCDR).
- `SERA_RTS_SHADOW`—Shadow register for the RTS line's parallel port (e.g., PCDRShadow).
- `SERA_RTS_BIT`—The bit number for the RTS line.
- `SERA_CTS_PORT`—Data register for the parallel port that the CTS line is on (e.g., PCDRShadow).
- `SERA_CTS_BIT`—The bit number for the CTS line.

Standard 3-wire RS-232 communication using Serial Ports C and D is illustrated in the following sample code.

```
#define CINBUFSIZE 15
#define COUTBUFSIZE 15

#define DINBUFSIZE 15
#define DOUTBUFSIZE 15

#define MYBAUD 115200
#endif

main() {
    serCopen(_MYBAUD);
    serDopen(_MYBAUD);
    serCwrFlush();
    serCrdFlush();
    serDwrFlush();
    serDrdFlush();
}
```

B.1.6.2 RS-485

The RCM3700 Prototyping Board has one RS-485 serial channel, which is connected to the Rabbit 3000 Serial Port E through an RS-485 transceiver. The half-duplex communication uses an output from PF5 on the Rabbit 3000 to control the transmit enable on the communication line. Using this scheme a strict master/slave relationship must exist between devices to insure that no two devices attempt to drive the bus simultaneously.

Serial Port E is configured in software for RS-485 as follows.

```
#define ser485open serEopen
#define ser485close serEclose
#define ser485wrFlush serEwrFlush
#define ser485rdFlush serErdFlush
#define ser485putc serEputc
#define ser485getc serEgetc

#define EINBUFSIZE 15
#define EOUTBUFSIZE 15
```

The configuration shown above is based on circular buffers. RS-485 configuration may also be done using functions from the `PACKET.LIB` library.

The RCM3700 Prototyping Boards with RCM3750 modules installed can be used in an RS-485 multidrop network spanning up to 1200 m (4000 ft), and there can be as many as 32 attached devices. Connect the 485+ to 485+ and 485- to 485- using single twisted-pair wires as shown in Figure B-8. Note that a common ground is recommended.

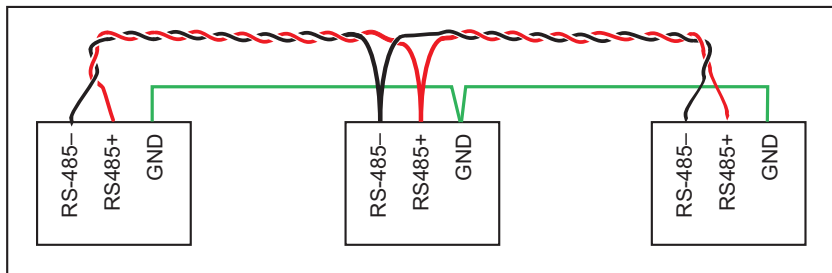


Figure B-8. RCM3750 Multidrop Network

The RCM3700 Prototyping Board comes with a 220 Ω termination resistor and two 681 Ω bias resistors installed and enabled with jumpers across pins 1–2 and 5–6 on header JP1, as shown in Figure B-9.

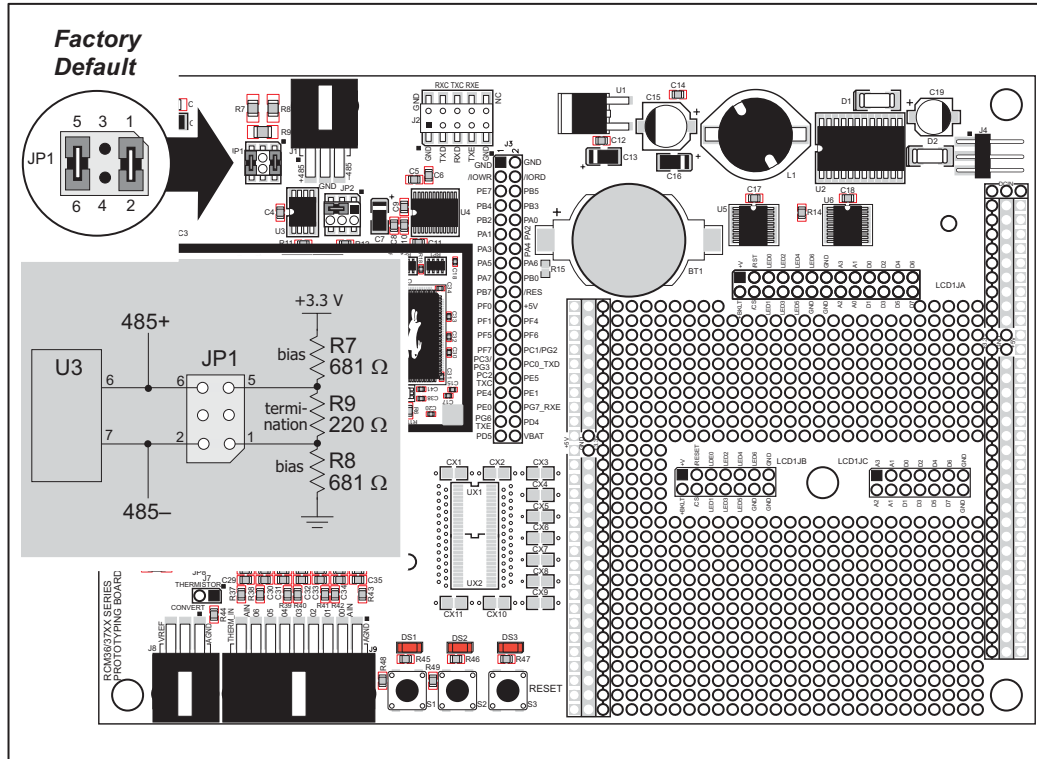


Figure B-9. RS-485 Termination and Bias Resistors

For best performance, the termination resistors in a multidrop network should be enabled only on the end nodes of the network, but *not* on the intervening nodes. Jumpers on boards whose termination resistors are not enabled may be stored across pins 1–3 and 4–6 of header JP1.

B.1.7 Other Prototyping Board Modules

An optional LCD/keypad module is available that can be mounted on the RCM3700 Prototyping Board. The signals on headers LCD1JB and LCD1JC will be available only if the LCD/keypad module is installed. Refer to Appendix C, “LCD/Keypad Module,” for complete information.

CAUTION: Pin PB7 is connected as both switch S2 and as an external I/O bus on the Prototyping Board. Do not use S2 when the LCD/keypad module is installed.

B.1.8 Jumper Configurations

Figure B-10 shows the header locations used to configure the various RCM3700 Prototyping Board options via jumpers.

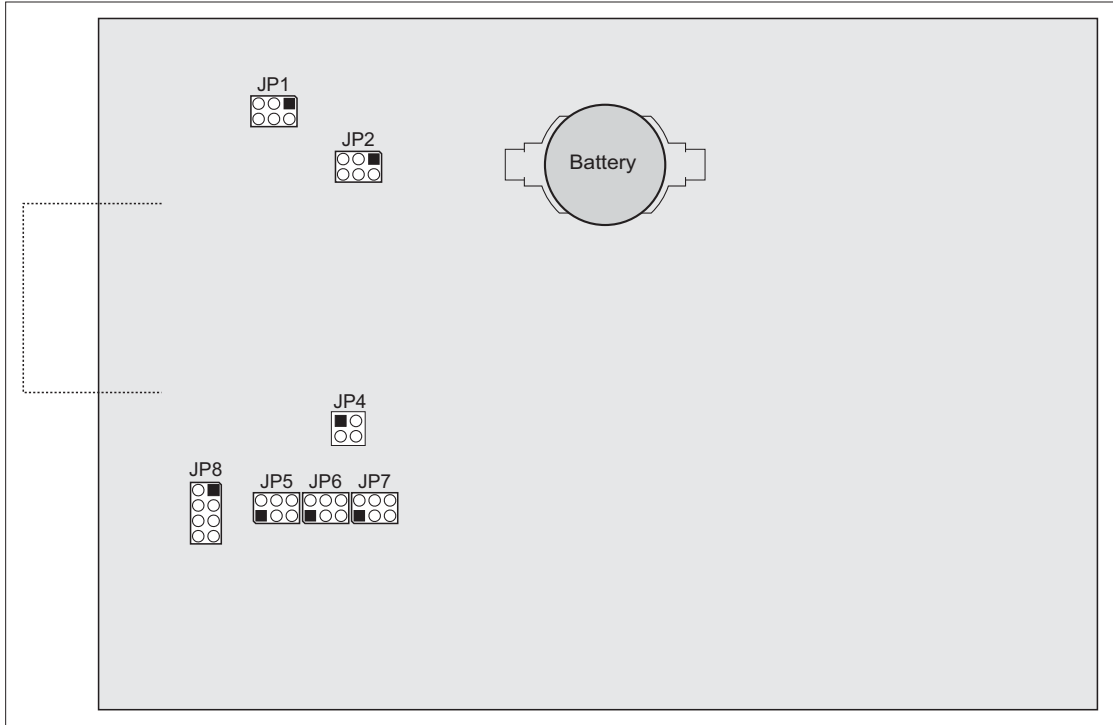


Figure B-10. Location of RCM3700 Prototyping Board Configurable Positions

Table B-5 lists the configuration options using jumpers.

Table B-5. RCM3700 Prototyping Board Jumper Configurations

Header	Description	Pins Connected		Factory Default
JP1	RS-485 Bias and Termination Resistors	1-2 5-6	Bias and termination resistors connected	×
		1-3 4-6	Bias and termination resistors <i>not</i> connected (parking position for jumpers)	
JP2	RS-232/RS-485 on Serial Port E	1-3 2-4	RS-232	
		3-5 4-6	RS-485	×
JP4	A/D Converter Outputs	1	PIO_0	n.c.
		2	PIO_1	n.c.
		3	PIO_2	n.c.
		4	PIO_3	n.c.
JP5	ADC_IN4-ADC_IN5	1-2	Tied to VREF	
		2-3	Tied to analog ground	×
JP6	ADC_IN2-ADC_IN3	1-2	Tied to VREF	
		2-3	Tied to analog ground	×
JP7	ADC_IN0-ADC_IN1	1-2	Tied to VREF	
		2-3	Tied to analog ground	×
JP8	Analog Voltage/4-20 mA Options	1-2	Connect for 4-20 mA option on ADC_IN3	n.c.
		3-4	Connect for 4-20 mA option on ADC_IN4	n.c.
		5-6	Connect for 4-20 mA option on ADC_IN5	n.c.
		7-8	Connect for 4-20 mA option on ADC_IN6	n.c.

B.1.9 Use of Rabbit 3000 Parallel Ports

Table B-6 lists the Rabbit 3000 parallel ports and their use for the RCM3700 Prototyping Board.

Table B-6. RCM3700 Prototyping Board Use of Rabbit 3000 Parallel Ports

Port	I/O	Use	Initial State
PA0–PA7	Output	External ID0–ID7, LCD/keypad module	High (core module)
PB0	Output	CLKB, A/D Converter SCLK	High (SCLK set by driver)
PB1	Output	CLKA Programming Port	High (core module) (when not driven by CLKA)
PB2–PB5	Output	External IA0–IA3, LCD/keypad module	High
PB6	Output	IA4, not used	High (core module)
PB7	Output	External IA5, Switch S2	High
PC0	Output	TXD RS-232	Serial Port D High (set by drivers)
PC1	Input	RXD RS-232	
PC2	Output	TXC RS-232	Serial Port C High (set by drivers)
PC3	Input	RXC RS-232	
PC4	Output	TXB Serial Flash	Serial Port B High (set by drivers)
PC5	Input	RXB Serial Flash	
PC6	Output	TXA Programming Port	Serial Port A High (when not driven)
PC7	Input	RXA Programming Port	
PD0	Output	Ethernet RSTDRV	Pulled up (core module)
PD1	Input	Ethernet BD5 (EESK)	Set by Ethernet
PD2	Input	Ethernet BD6 (EEDI)	Set by Ethernet
PD3	Input	Ethernet BD6 (EEDO)	Set by Ethernet
PD4	Output	ATXB, A/D converter SDI	High (set by driver)
PD5	Input	ARXB, A/D converter SDO	Pulled up (core module)
PD6–PD7	Input	Not used	Pulled up (core module)
PE0	Output	IrDA MD0	Pulled up (Proto Board)
PE1	Output	IrDA MD1	Pulled down (Proto Board)
PE2	Output	Ethernet AEN	High (driven by Ethernet)
PE3	Input	Not used	Pulled up (core module)
PE4	Output	IrDA FIR_SEL	Low (slow baud rate)

Table B-6. RCM3700 Prototyping Board Use of Rabbit 3000 Parallel Ports

Port	I/O	Use	Initial State
PE5	Output	RS-232 enable	Pulled up (Proto Board) (RS-232 disabled)
PE6	Output	Serial Flash Select	Pulled up (core module)
PE7	Output	LCD/keypad module BUFEN	Pulled up (Proto Board)
PF0	Output	A/D converter select line	Pulled up (Proto Board)
PF1	Input	A/D converter busy	Pulled down (Proto Board)
PF2–PF3	Input	Not used	Pulled up (core module)
PF4	Input	Switch S1	Pulled up (Proto Board)
PF5	Output	RS-485 Tx enable	Pulled down (Proto Board)
PF6	Output	LED DS1	High
PF7	Output	LED DS2	High
PG0–PG1	Input	Not used	Pulled up (Proto Board)
PG2	Input	TXF IrDA	Serial Port F Pulled up (core module)— tied to PC1
PG3	Input	RXF IrDA	
PG4–PG5	Input	Not used	Pulled up (Proto Board)
PG6	Output	TXE RS-485 or RS-232	Serial Port E High (set by drivers)
PG7	Input	RXE RS-485 or RS-232	

B.2 RCM3720 Prototyping Board

The RCM3720 Prototyping Board included in the Ethernet Connection Kit makes it easy to connect an RCM3720 module to a power supply and a PC workstation for development. It also provides some basic I/O peripherals (LEDs and switches), as well as a prototyping area for more advanced hardware development. An optional RS-232 chip can be added for RS-232 serial communication.

For the most basic level of evaluation and development, the RCM3720 Prototyping Board can be used without modification.

As you progress to more sophisticated experimentation and hardware development, modifications and additions can be made to the board without modifying or damaging the RCM3720 module itself.

The RCM3720 Prototyping Board is shown below in Figure B-11, with its main features identified.

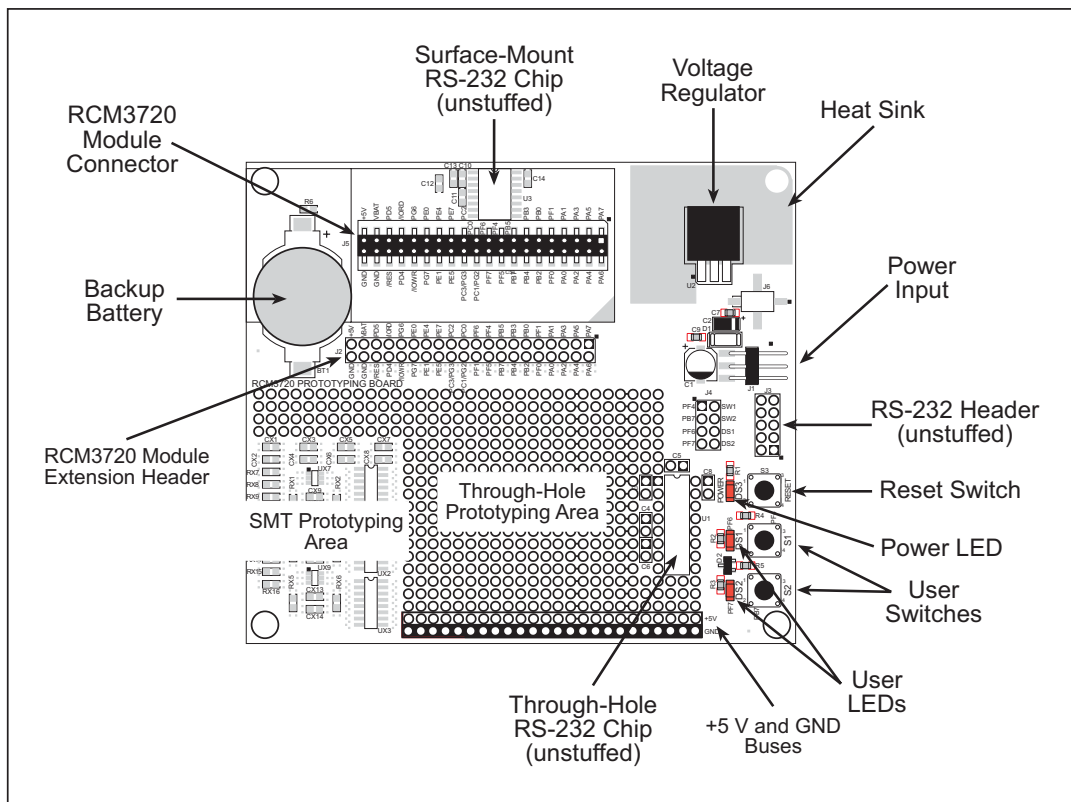


Figure B-11. RCM3720 Prototyping Board

B.2.1 Features

- **Power Connection**—A 3-pin header is provided for connection to the power supply. Note that the 3-pin header is symmetrical, with both outer pins connected to ground and the center pin connected to the raw DCIN input. The cable of the AC adapter provided with the North American version of the Ethernet Connection Kit ends in a plug that connects to the power-supply header, and can be connected to the 3-pin header in either orientation.

Users providing their own power supply should ensure that it delivers at least 200 mA at 7.5–15 V DC. The voltage regulator will get warm while in use.

- **Linear Power Supply**—The raw DC voltage provided at the POWER IN jack is routed to a 5 V linear voltage regulator. The regulator provides stable power to the RCM3720 module and the Prototyping Board.
- **Power LED**—The power LED lights whenever power is connected to the Prototyping Board.
- **Reset Switch**—A momentary-contact, normally open switch is connected directly to the RCM3720's /RESET_IN pin. Pressing the switch forces a hardware reset of the system.
- **I/O Switches and LEDs**—Two momentary-contact, normally open switches are connected to the PF4 and PB7 pins of the RCM3720 module and may be read as inputs by sample applications.

Two LEDs are connected to the PF6 and PF7 pins of the RCM3720 module, and may be driven as output indicators by sample applications.

- **Prototyping Area**—A generous prototyping area has been provided for the installation of through-hole components. +5 V and ground buses run along the bottom edge of this area. Several areas for surface-mount devices are also available. (Note that there are SMT device pads on both top and bottom of the Prototyping Board.) Each SMT pad is connected to a hole designed to accept a 30 AWG solid wire or wire-wrap wire.
- **Module Extension Headers**—The complete pin set of the RCM3720 module is duplicated at header J2. Developers can solder wires directly into the appropriate holes, or, for more flexible development, a 2 × 20 header strip with a 0.1" pitch can be soldered into place. See Figure B-14 for the header pinouts.
- **RS-232**—An optional through-hole RS-232 chip may be installed at U1 or a surface-mount RS-232 chip may be installed at U3. (Five 0.1 μF capacitors also need to be added for the RS-232 circuit to work.) When stuffed, the RS-232 chip brings out Serial Ports C and D to the header J3 area on the RCM3720 Prototyping Board. An optional 2 × 5 header strip with a 0.1" pitch can be installed at J3 to allow you to connect a ribbon cable that leads to a standard DB-9 serial connector.

Two 3-wire serial ports or one 5-wire RS-232 serial port are then available at header J3.

- **Backup Battery**—A 2032 lithium-ion battery rated at 3.0 V, 220 mA·h, provides battery backup for the RCM3720 SRAM and real-time clock.

Table B-1 lists the electrical, mechanical, and environmental specifications for the RCM3720 Prototyping Board.

Table B-7. RCM3720 Prototyping Board Specifications

Parameter	Specification
Board Size	3.856" × 4.400" × 0.37" (114 mm × 165 mm × 9 mm)
Operating Temperature	-20°C to +60°C
Humidity	5% to 95%, noncondensing
Input Voltage	7.5 V to 15 V DC
Maximum Current Draw (including user-added circuits)	225 mA max.
Prototyping Area	1.8" × 2.4" (46 mm × 61 mm) throughhole, 0.1" spacing, additional space for SMT components
Mounting Holes	4, 0.156" (4 mm) diameter, accept 6-32 screws and #6 spacers

B.2.3 Power Supply

The RCM3700, RCM3710, RCM3720, and RCM3750 operate from a regulated 4.75 V to 5.25 V DC power source. The RCM3720 Prototyping Board only has an onboard +5 V linear power regulator.

The RCM3720 Prototyping Board itself is protected against reverse polarity by a Shottky diode at D1 as shown in Figure B-13.

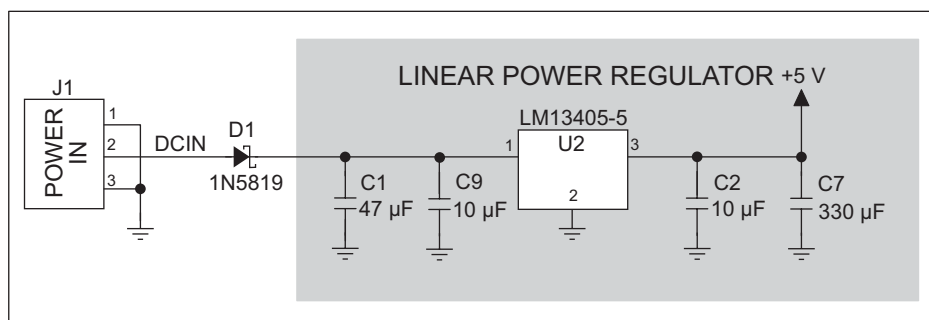


Figure B-13. RCM3720 Prototyping Board Power Supply

The RCM3720 Prototyping Board comes with the basic components necessary to demonstrate the operation of the RCM3700, RCM3710, RCM3720, and RCM3750 modules. Two LEDs (DS1 and DS2) are connected to PF6 and PF7, and two switches (S1 and S2) are connected to PF4 and PB7 to demonstrate the interface to the Rabbit 3000 microprocessor. Reset switch S3 is the hardware reset for the RCM3720.

The RCM3720 Prototyping Board provides the user with connection points for the Rabbit-Core module brought out conveniently to labeled points at header J2 on the RCM3720 Prototyping Board. Although header J2 is unstuffed, a 2×20 header strip with a 0.1" pitch can be installed. The 2×20 header (Part No. 405-0016) can be purchased through our [online store](#).

To maximize the availability of resources, the demonstration hardware (LEDs and switches) on the Prototyping Board may be disconnected. This is done by cutting the traces seen within the silkscreen outline for header J4 on the bottom side of the RCM3720 Prototyping Board. Figure B-15 shows the four traces where cuts should be made. An exacto knife or high-speed precision grinder tool like a Dremel[®] tool would work nicely to cut the traces. Alternatively, if safety is a major concern, a small standard screwdriver may be carefully and forcefully used to wipe through the PCB traces.

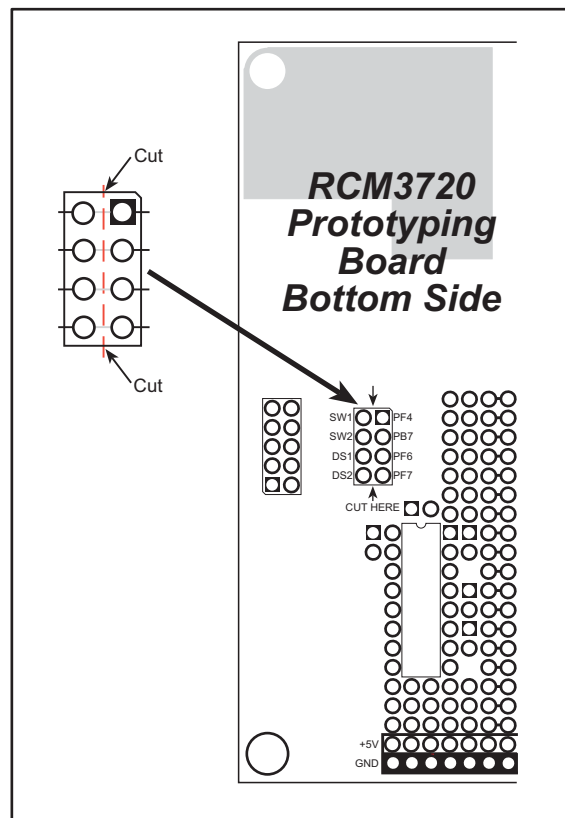


Figure B-15. Where to Cut Traces to Permanently Disable Demonstration Hardware on RCM3720 Prototyping Board

A 2 × 4 header strip with a 0.1" pitch can be installed at J4, and jumpers across the appropriate pins on header J4 can be used to reconnect specific demonstration hardware later if needed. Each pin is labeled on the PCB to facilitate placing the jumpers. The jumper positions are summarized in Table B-8.

Table B-8. RCM3720 Prototyping Board Jumper Settings

Header J4		
Pins	Signal Description	Demonstration Hardware
1–2	PF4	Switch S1
3–4	PB7	Switch S2
5–6	PF6	LED DS1
7–8	PF7	LED DS2

B.2.4.1 Prototyping Area

There is a 1.8" × 2.4" through-hole prototyping space available on the RCM3720 Prototyping Board. The holes in the prototyping area are spaced at 0.1" (2.5 mm). +5 V and ground traces run along the bottom edge of the prototyping area for easy access. Small to medium circuits can be prototyped using point-to-point wiring with 20 to 30 AWG wire between the prototyping area, the +5 V, and ground traces, and the surrounding area where surface-mount components may be installed. Small holes are provided around the surface-mounted components that may be installed around the prototyping area.

There are six sets of pads (three on each side) for 16-pin devices that can be used to surface-mount SOIC devices. There are also pads that can be used for SMT resistors and capacitors in an 0805 SMT package. Each component has every one of its pin pads connected to a hole in which a 30 AWG wire can be soldered (standard wire-wrap wire can be soldered in for point-to-point wiring on the RCM3720 Prototyping Board). Because the traces are very thin, carefully determine which set of holes is connected to which surface-mount pad.

B.2.5 Serial Communication

As shipped, the RCM3720 Prototyping Board has no RS-232 chip installed, and so no RS-232 communication is possible. An optional through-hole RS-232 chip may be installed at U1 *or* a surface-mount RS-232 chip may be installed at U3. Five corresponding through-hole or surface-mount 0.1 μF capacitors must also be installed. Figure B-16 shows where to install the RS-232 chip and its associated capacitors for the two options.

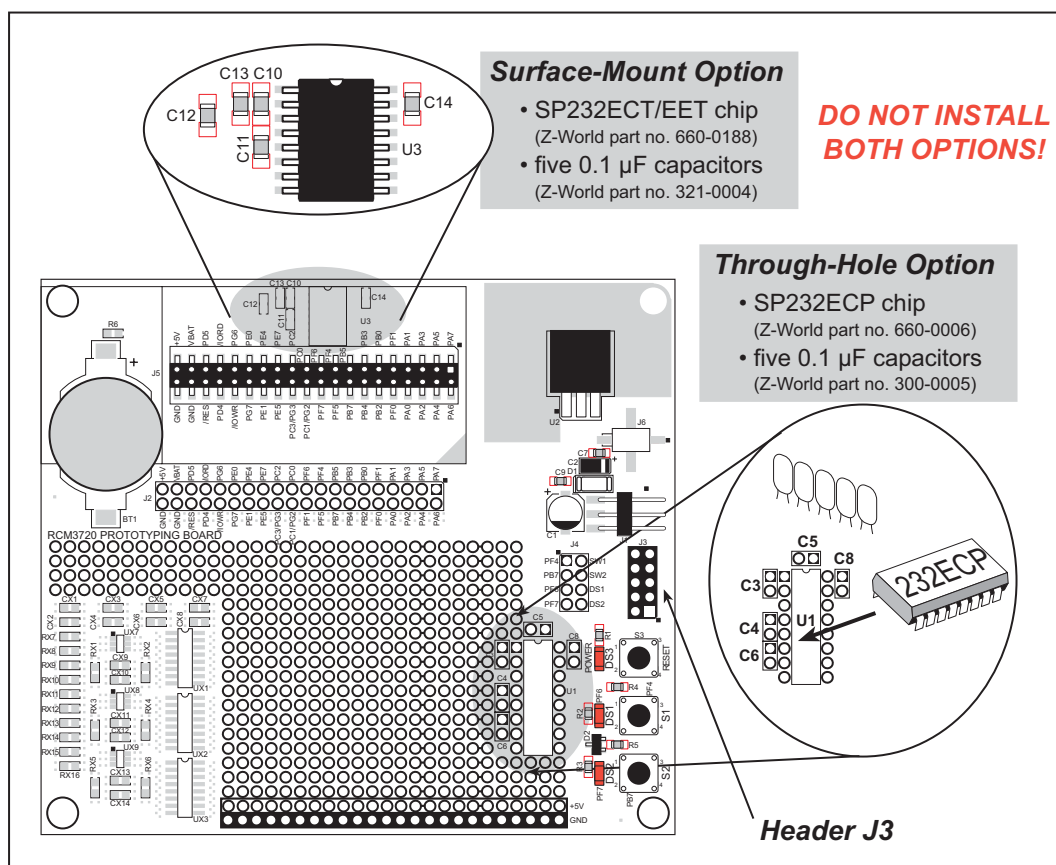


Figure B-16. Locations Where to Install RS-232 Chip and Capacitors

NOTE: Only one RS-232 circuit needs to be stuffed.

Rabbit Semiconductor offers the through-hole RS-232 chip and 0.1 μF capacitors for sale in a subassembly with some other parts (part number 151-0082). Contact your Rabbit Semiconductor sales representative or authorized distributor for more information.

RS-232 serial communication on the RCM3720 Prototyping Board is supported by the RS-232 transceiver you installed at U1 or U3. This transceiver provides the voltage output, slew rate, and input voltage immunity required to meet the RS-232 serial communication protocol. Basically, the chip translates the Rabbit 3000's signals to RS-232 signal levels. Note that the polarity is reversed in an RS-232 circuit so that a +5 V output becomes approximately -10 V and 0 V is output as +10 V. The RS-232 transceiver also provides the proper line loading for reliable communication.

RS-232 can be used effectively at the RabbitCore module's maximum baud rate for distances of up to 15 m.

When stuffed, the RS-232 chip brings out Serial Ports C and D to the header J3 area on the RCM3720 Prototyping Board. An optional 2 × 5 header strip with a 0.1" pitch can be installed at J3 to allow you to connect a ribbon cable that leads to a standard DB-9 serial connector. The 2 × 5 header (Part No. 405-0023) can be purchased through our [online store](#), and is included with the subassembly (Part No. 151-0082) described above.

Table B-9 summarizes the serial port locations.

Table B-9. RCM3720 Prototyping Board Serial Port Locations

Serial Port	Signal Header	Header Pins
C	J3	TxC...6 RxC...4
D	J3	TxD...3 RxD...5

These serial ports can be configured in software as either one 5-wire or two 3-wire RS-232 channels. RS-232 flow control on an RS-232 port is initiated in software using the `serX-flowcontrolOn` function call from `RS232.LIB`, where `X` is the serial port (C or D). The locations of the flow control lines are specified using a set of five macros.

`SERX_RTS_PORT`—Data register for the parallel port that the RTS line is on (e.g., `PCDR`).

`SERA_RTS_SHADOW`—Shadow register for the RTS line's parallel port (e.g., `PCDRShadow`).

`SERA_RTS_BIT`—The bit number for the RTS line.

`SERA_CTS_PORT`—Data register for the parallel port that the CTS line is on (e.g., `PCDRShadow`).

`SERA_CTS_BIT`—The bit number for the CTS line.

Standard 3-wire RS-232 communication using Serial Ports C and D is illustrated in the following sample code.

```
#define CINBUFSIZE 15 // set size of circular buffers in bytes
#define COUTBUFSIZE 15

#define DINBUFSIZE 15
#define DOUTBUFSIZE 15

#define MYBAUD 115200 // set baud rate
#endif

main() {
    serCopen(_MYBAUD); // open Serial Ports C and D
    serDopen(_MYBAUD);
    serCwrFlush(); // flush their input and transmit buffers
    serCrdFlush();
    serDwrFlush();
    serDrdfFlush();
    serCclose(_MYBAUD); // close Serial Ports C and D
    serDclose(_MYBAUD);
}
```

B.2.6 Use of Rabbit 3000 Parallel Ports

Table B-10 lists the Rabbit 3000 parallel ports and their use for the RCM3720 Prototyping Board.

Table B-10. RCM3720 Prototyping Board Use of Rabbit 3000 Parallel Ports

Port	I/O	Use	Initial State
PA0–PA7	Input	Not used	Pulled up (core module)
PB0	Output	CLKB, Serial Flash SCLK	High
PB1	Output	CLKA Programming Port	High (when not driven by CLKA)
PB2–PB6	Output	Not used	High
PB7	Input	External IA5, Switch S2	Pulled up (Proto Board)
PC0	Output	TXD RS-232	Serial Port D High (set by drivers)
PC1	Input	RXD RS-232	
PC2	Output	TXC RS-232	Serial Port C High (set by drivers)
PC3	Input	RXC RS-232	
PC4	Output	TXB Serial Flash	Serial Port B High (set by drivers)
PC5	Input	RXB Serial Flash	
PC6	Output	TXA Programming Port	Serial Port A High (when not driven)
PC7	Input	RXA Programming Port	
PD0	Output	Ethernet RSTDRV	Pulled up (core module)
PD1	Input	Ethernet BD5 (EESK)	Set by Ethernet
PD2	Input	Ethernet BD6 (EEDI)	Set by Ethernet
PD3	Input	Ethernet BD6 (EEDO)	Set by Ethernet
PD4–PD5	Output	Not used	High
PD6–PD7	Input	Not used	Pulled up (core module)
PE0–PE1	Output	Not used	High
PE2	Output	Ethernet AEN	High (driven by Ethernet)
PE3	Input	Not used	Pulled up (core module)
PE4–PE5	Output	Not used	High
PE6	Input	Serial Flash Select	Pulled up (core module)
PE7	Output	Not used	High
PF0	Output	Not used	High
PF1	Input	Not used	Low

Table B-10. RCM3720 Prototyping Board Use of Rabbit 3000 Parallel Ports

Port	I/O	Use	Initial State
PF2–PF3	Input	Not used	Pulled up (core module)
PF4	Input	Switch S1	Pulled up (Proto Board)
PF5	Output	Not used	High
PF6	Output	LED DS1	High
PF7	Output	LED DS2	High
PG0–PG1	Output	Not used	High
PG2	Input	Not used	Pulled up (core module)— tied to PC1
PG3	Input	Not used	Pulled up (core module)— tied to PC3
PG4–PG7	Output	Not used	High

APPENDIX C. LCD/KEYPAD MODULE

An optional LCD/keypad is available for the RCM3700 Prototyping Board. Appendix C describes the LCD/keypad and provides the software function calls to make full use of the LCD/keypad.

C.1 Specifications

Two optional LCD/keypad modules—with or without a panel-mounted NEMA 4 water-resistant bezel—are available for use with the Prototyping Board. They are shown in Figure C-1.

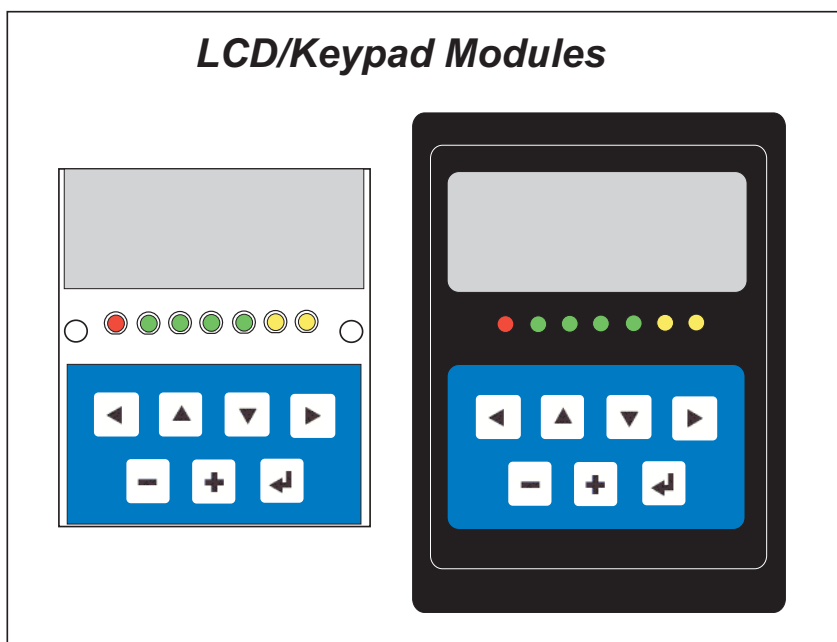


Figure C-1. LCD/Keypad Modules Versions

Only the version without the bezel can mount directly on the Prototyping Board; if you have the version with a bezel, you will have to remove the bezel to be able to mount the LCD/keypad module on the Prototyping Board. Either version of the LCD/keypad module can be installed at a remote location up to 60 cm (24") away. Contact your sales representative or your authorized Rabbit Semiconductor distributor for further assistance in purchasing an LCD/keypad module.

Mounting hardware and a 60 cm (24") extension cable are also available for the LCD/keypad module through your Rabbit Semiconductor sales representative or authorized distributor.

Table C-1 lists the electrical, mechanical, and environmental specifications for the LCD/keypad module.

Table C-1. LCD/Keypad Specifications

Parameter	Specification
Board Size	2.60" x 3.00" x 0.75" (66 mm x 76 mm x 19 mm)
Bezel Size	4.50" x 3.60" x 0.30" (114 mm x 91 mm x 7.6 mm)
Temperature	Operating Range: 0°C to +50°C Storage Range: -40°C to +85°C
Humidity	5% to 95%, noncondensing
Power Consumption	1.5 W maximum*
Connections	Connects to high-rise header sockets on the RCM3700 Prototyping Board
LCD Panel Size	122 x 32 graphic display
Keypad	7-key keypad
LEDs	Seven user-programmable LEDs

* The backlight adds approximately 650 mW to the power consumption.

The LCD/keypad module has 0.1" IDC headers at J1, J2, and J3 for physical connection to other boards or ribbon cables. Figure C-2 shows the LCD/keypad module footprint. These values are relative to one of the mounting holes.

NOTE: All measurements are in inches followed by millimeters enclosed in parentheses. All dimensions have a manufacturing tolerance of ± 0.01 " (0.25 mm).

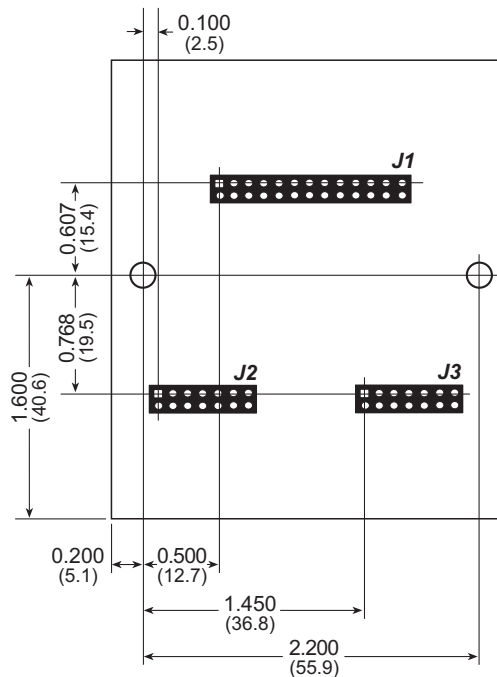


Figure C-2. User Board Footprint for LCD/Keypad Module

C.2 Contrast Adjustments for All Boards

Starting in 2005, LCD/keypad modules were factory-configured to optimize their contrast based on the voltage of the system they would be used in. Be sure to select a KDU3V LCD/keypad module for use with the RCM3700 Prototyping Board — these modules operate at 3.3 V. You may adjust the contrast using the potentiometer at R2 as shown in Figure C-3. LCD/keypad modules configured for 5 V may be used with the 3.3 V RCM3700 Prototyping Board, but the backlight will be dim.

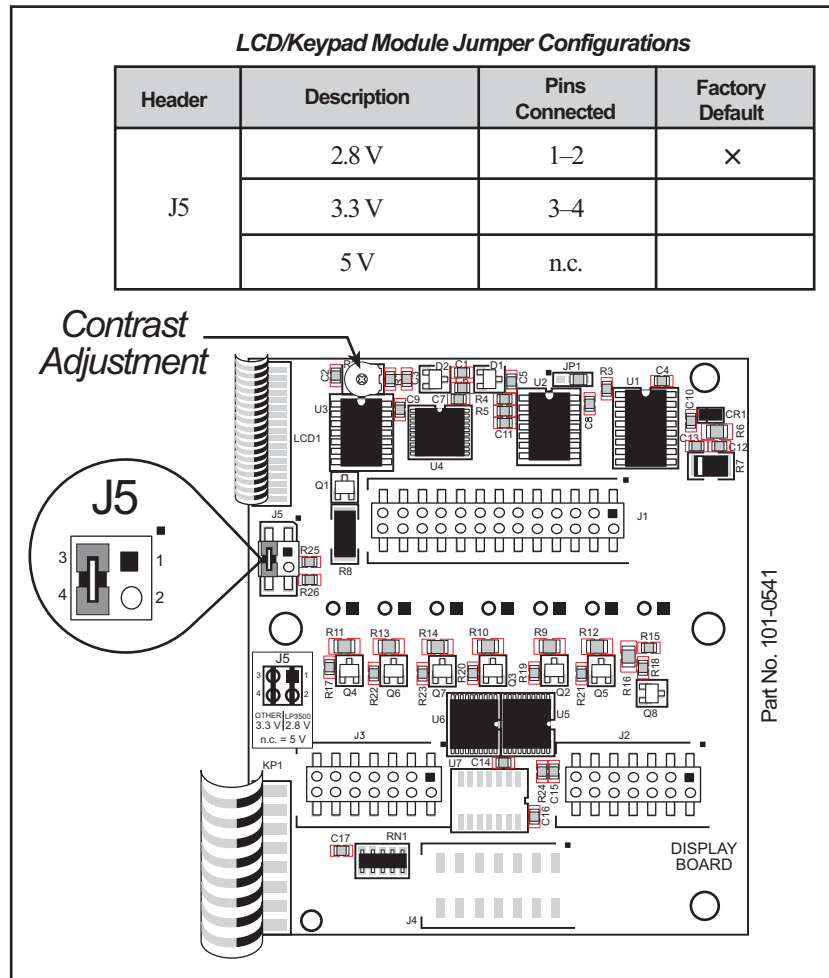


Figure C-3. LCD/Keypad Module Voltage Settings

You can set the contrast on the LCD display of pre-2005 LCD/keypad modules by adjusting the potentiometer at R2 or by setting the voltage for 3.3 V by connecting the jumper across pins 3–4 on header J5 as shown in Figure C-3. Only one of these two options is available on these LCD/keypad modules.

NOTE: Older LCD/keypad modules that do not have a header at J5 or a contrast adjustment potentiometer at R2 are limited to operate only at 5 V, and will not work with the RCM3700 Prototyping Board. The older LCD/keypad modules are no longer being sold.

C.3 Keypad Labeling

The keypad may be labeled according to your needs. A template is provided in Figure C-4 to allow you to design your own keypad label insert.

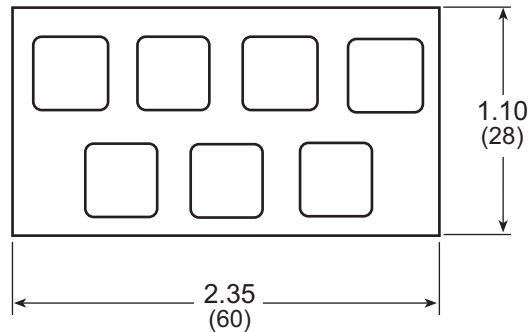


Figure C-4. Keypad Template

To replace the keypad legend, remove the old legend and insert your new legend prepared according to the template in Figure C-4. The keypad legend is located under the blue keypad mat, and is accessible from the left only as shown in Figure C-5.

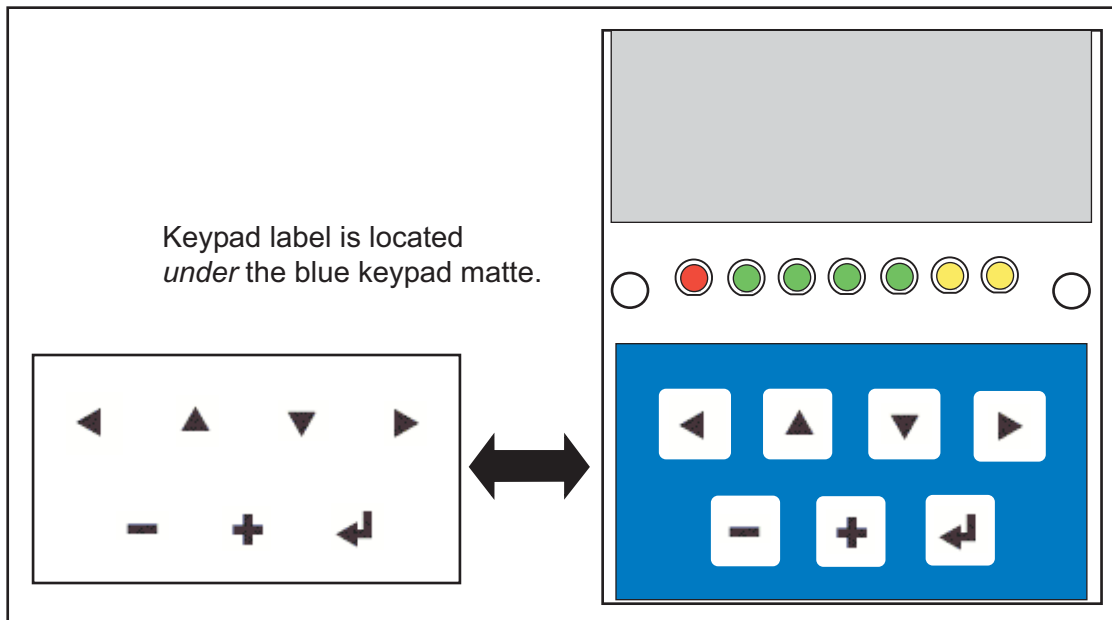


Figure C-5. Removing and Inserting Keypad Label

The sample program `KEYBASIC.C` in the `122x32_1x7` folder in `SAMPLES\LCD_KEYPAD` shows how to reconfigure the keypad for different applications.

C.4 Header Pinouts

Figure C-6 shows the pinouts for the LCD/keypad module.

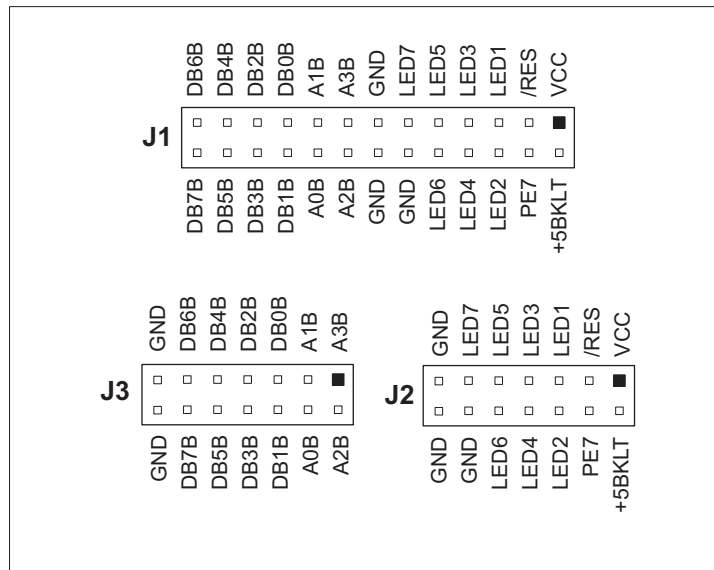


Figure C-6. LCD/Keypad Module Pinouts

C.4.1 I/O Address Assignments

The LCD and keypad on the LCD/keypad module are addressed by the /CS strobe as explained in Table C-2.

Table C-2. LCD/Keypad Module Address Assignment

Address	Function
0xE000	Device select base address (/CS)
0xE00–0xE07	LCD control
0xE08	LED enable
0xE09	Not used
0xE0A	7-key keypad
0xE0B (bits 0–6)	7-LED driver
0xE0B (bit 7)	LCD backlight on/off
0xE0C–0xE0F	Not used

C.5 Install Connectors on Prototyping Board

Before you can use the LCD/keypad module with the RCM3700 Prototyping Board, you will need to install connectors to attach the LCD/keypad module to the RCM3700 Prototyping Board. These connectors are included with the RCM3700 Development Kit.

First solder the 2 x 13 connector to location LCD1JA on the RCM3700 Prototyping Board as shown in Figure C-7.

- If you plan to bezel-mount the LCD/keypad module, continue with the bezel-mounting instructions in Section C.7, “Bezel-Mount Installation.”
- If you plan to mount the LCD/keypad module directly on the RCM3700 Prototyping Board, solder two additional 2 x 7 connectors at locations LCD1JB and LCD1JC on the RCM3700 Prototyping Board. Section C.6, “Mounting LCD/Keypad Module on the Prototyping Board,” explains how to mount the LCD/keypad module on the RCM3700 Prototyping Board.

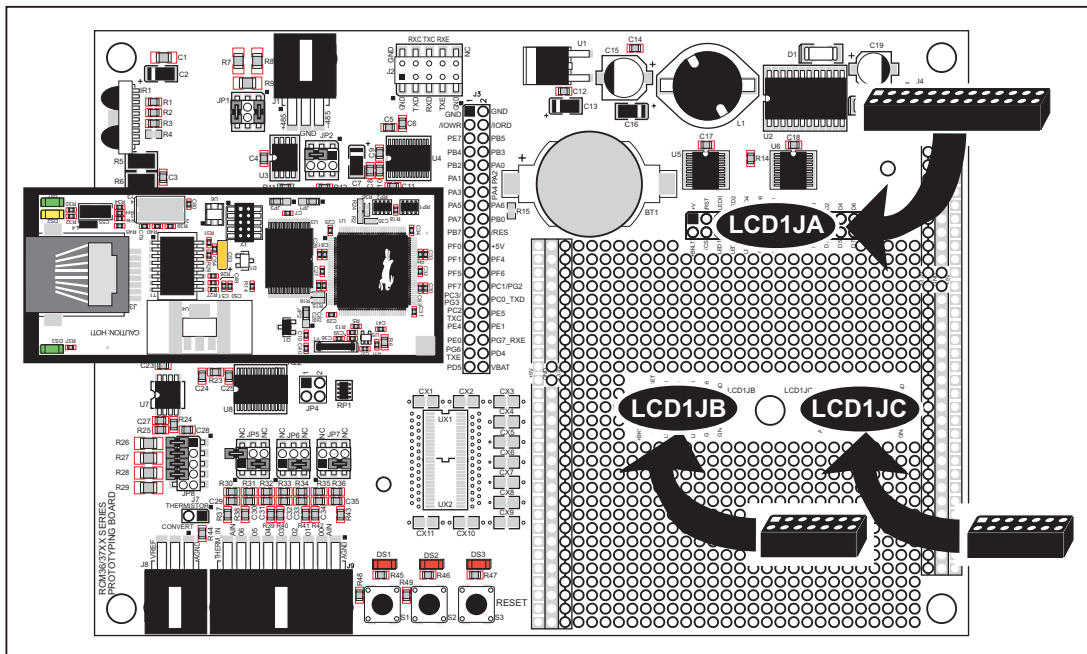


Figure C-7. Solder Connectors to RC3700 Prototyping Board

C.6 Mounting LCD/Keypad Module on the Prototyping Board

Install the LCD/keypad module on header sockets LCD1JA, LCD1JB, and LCD1JC of the RCM3700 Prototyping Board as shown in Figure C-8. Be careful to align the pins over the headers, and do not bend them as you press down to mate the LCD/keypad module with the RCM3700 Prototyping Board.

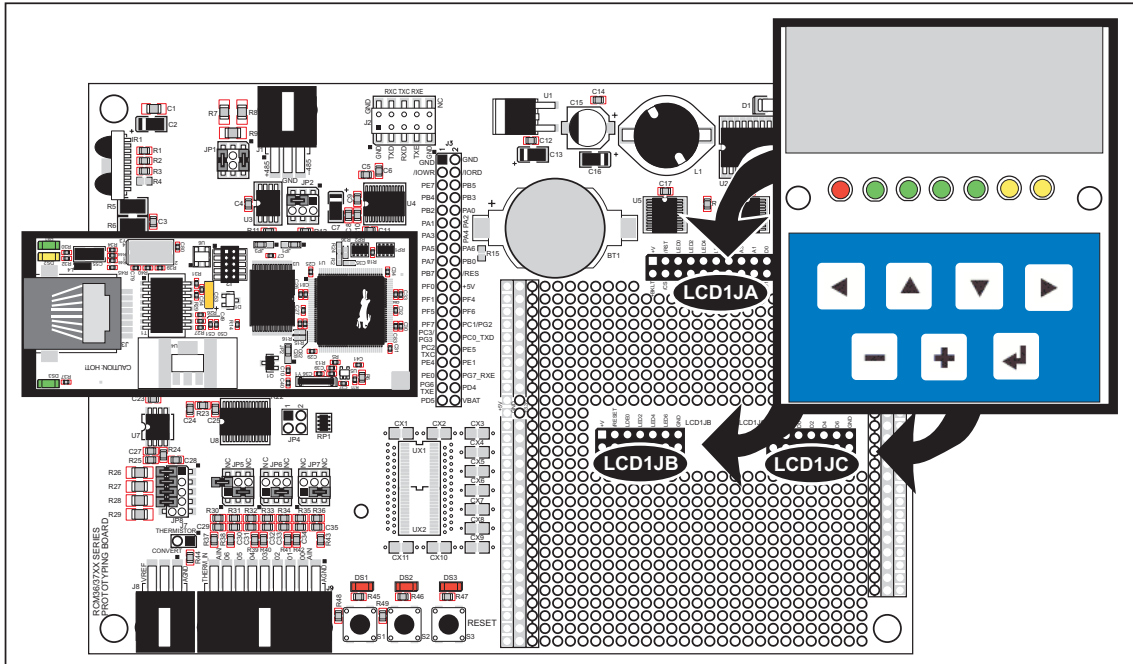


Figure C-8. Install LCD/Keypad Module on RCM3700 Prototyping Board

C.7 Bezel-Mount Installation

This section describes and illustrates how to bezel-mount the LCD/keypad module designed for remote installation. Follow these steps for bezel-mount installation.

1. Cut mounting holes in the mounting panel in accordance with the recommended dimensions in Figure C-9, then use the bezel faceplate to mount the LCD/keypad module onto the panel.

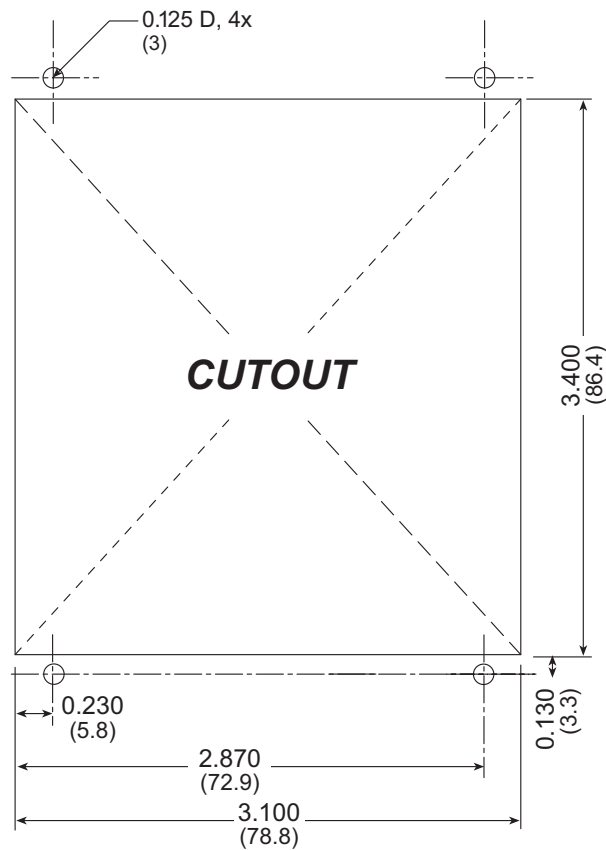


Figure C-9. Recommended Cutout Dimensions

2. Carefully “drop in” the LCD/keypad module with the bezel and gasket attached.

3. Fasten the unit with the four 4-40 screws and washers included with the LCD/keypad module. If your panel is thick, use a 4-40 screw that is approximately 3/16" (5 mm) longer than the thickness of the panel.

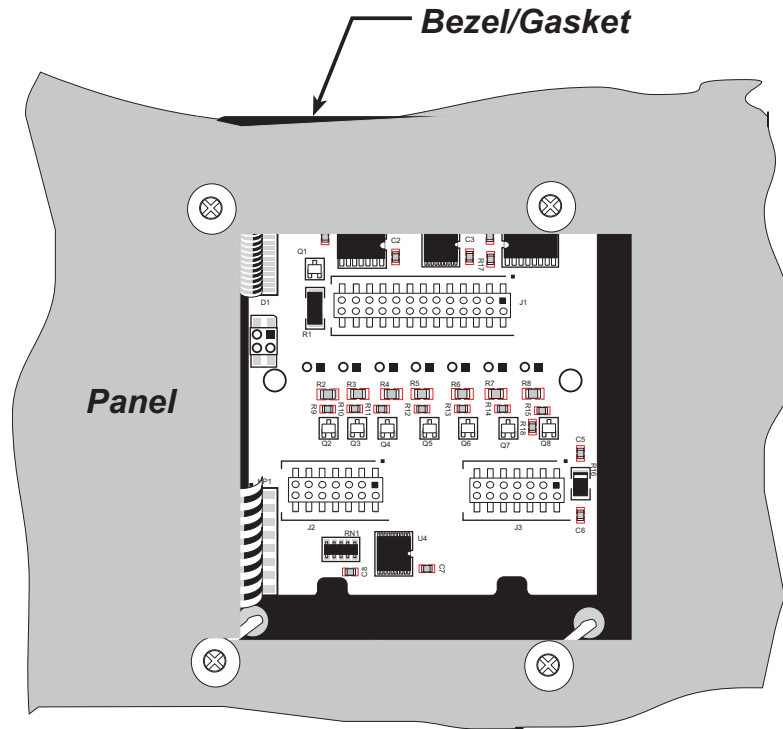


Figure C-10. LCD/Keypad Module Mounted in Panel (rear view)

Carefully tighten the screws until the gasket is compressed and the plastic bezel faceplate is touching the panel.

Do not tighten each screw fully before moving on to the next screw. Apply only one or two turns to each screw in sequence until all are tightened manually as far as they can be so that the gasket is compressed and the plastic bezel faceplate is touching the panel.

C.7.1 Connect the LCD/Keypad Module to Your Prototyping Board

The LCD/keypad module can be located as far as 2 ft. (60 cm) away from the RCM3700 Prototyping Board, and is connected via a ribbon cable as shown in Figure C-11.

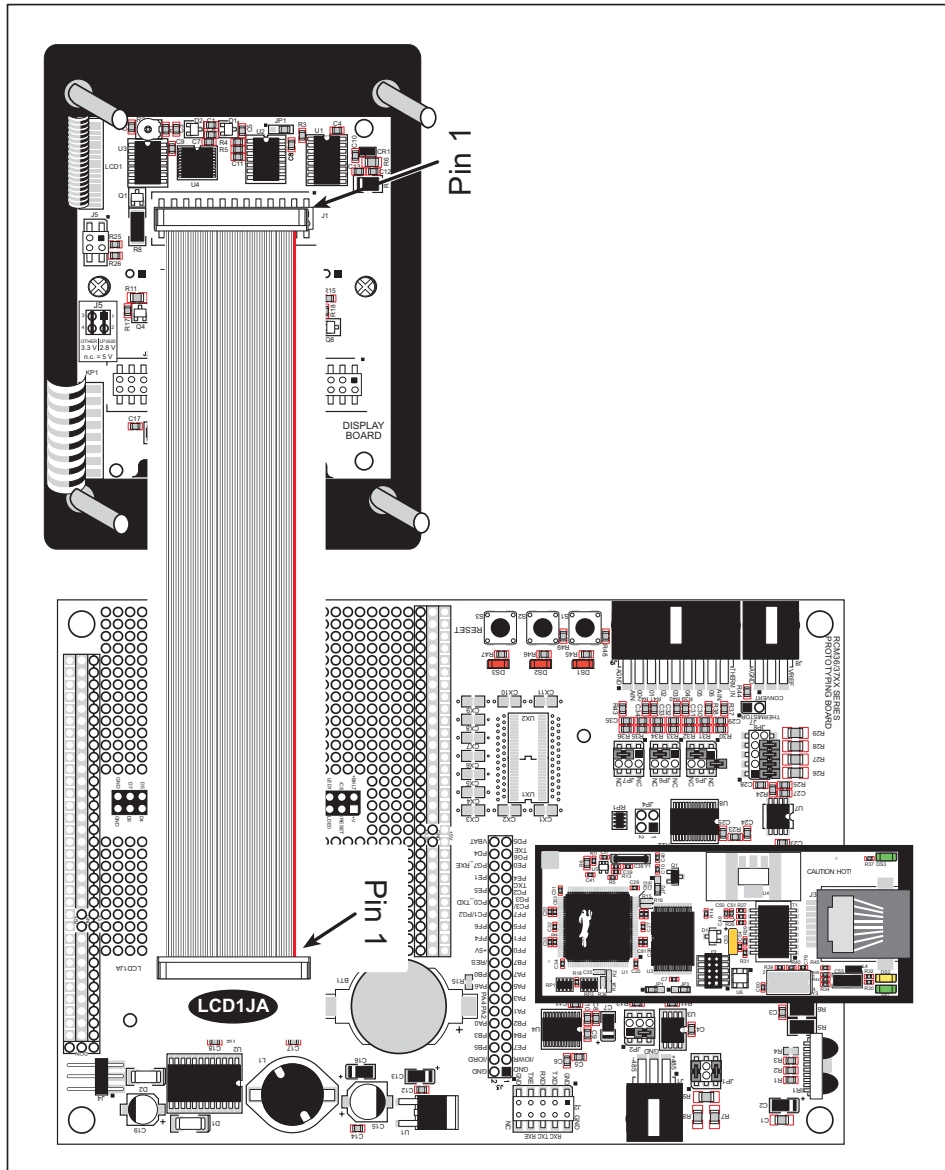


Figure C-11. Connecting LCD/Keypad Module to RCM3700 Prototyping Board

Note the locations and connections relative to pin 1 on both the RCM3700 Prototyping Board and the LCD/keypad module.

Rabbit Semiconductor offers 2 ft. (60 cm) extension cables. Contact your authorized distributor or a Rabbit Semiconductor sales representative for more information.

C.8 Sample Programs

Sample programs illustrating the use of the LCD/keypad module with the RCM3700 Prototyping Board are provided in the `SAMPLES\RCM3700\LCD_KEYPAD` folder.

These sample programs use the auxiliary I/O bus on the Rabbit 3000 chip, and so the `#define PORTA_AUX_IO` line is already included in the sample programs.

Each sample program has comments that describe the purpose and function of the program. Follow the instructions at the beginning of the sample program. To run a sample program, open it with the **File** menu (if it is not still open), then compile and run it by pressing **F9**. The RCM3750 must be connected to a PC using the programming cable as described in Chapter 2, “Getting Started.”

Complete information on Dynamic C is provided in the *Dynamic C User's Manual*.

- **KEYPADTOLED.C**—This program demonstrates the use of the external I/O bus. The program will light up an LED on the LCD/keypad module and will display a message on the LCD when a key press is detected. The DS1 and DS2 LEDs on the RCM3700 Prototyping Board will also light up.
- **LCDKEYFUN.C**—This program demonstrates how to draw primitive features from the graphic library (lines, circles, polygons), and also demonstrates the keypad with the key release option.
- **SWITCHTOLED.C**—This program demonstrates the use of the external I/O bus. The program will light up an LED on the LCD/keypad module and will display a message on the LCD when a switch press is detected. The DS1 and DS2 LEDs on the RCM3700 Prototyping Board will also light up.

Additional sample programs are available in the `SAMPLES\LCD_KEYPAD\122x32_1x7` subdirectory.

C.9 LCD/Keypad Module Function Calls

When mounted on the RCM3700 Prototyping Board, the LCD/keypad module uses the auxiliary I/O bus on the Rabbit 3000 chip. Remember to add the line

```
#define PORTA_AUX_IO
```

to the beginning of any programs using the auxiliary I/O bus.

C.9.1 LCD/Keypad Module Initialization

The function used to initialize the LCD/keypad module can be found in the Dynamic C `LIB\DISPLAYS\LCD122KEY7.LIB` library.

```
void dispInit();
```

Initializes the LCD/keypad module. The keypad is set up using `keypadDef()` or `keyConfig()` after this function call.

RETURN VALUE

None.

C.9.2 LEDs

When power is applied to the LCD/keypad module for the first time, the red LED (DS1) will come on, indicating that power is being applied to the LCD/keypad module. The red LED is turned off when the `brdInit` function executes.

One function is available to control the LEDs, and can be found in the Dynamic C `LIB\DISPLAYS\LCD122KEY7.LIB` library.

```
void dispLEDOut(int led, int value);
```

LED on/off control. This function will only work when the LCD/keypad module is installed on the RCM3700 Prototyping Board.

PARAMETERS

`led` is the LED to control.

- 0 = LED DS1
- 1 = LED DS2
- 2 = LED DS3
- 3 = LED DS4
- 4 = LED DS5
- 5 = LED DS6
- 6 = LED DS7

`value` is the value used to control whether the LED is on or off (0 or 1).

- 0 = off
- 1 = on

RETURN VALUE

None.

C.9.3 LCD Display

The functions used to control the LCD display are contained in the **GRAPHIC.LIB** library located in the Dynamic C **LIB\DISPLAYS\GRAPHIC** library folder. When x and y coordinates on the display screen are specified, x can range from 0 to 121, and y can range from 0 to 31. These numbers represent pixels from the top left corner of the display.

```
void glInit(void);
```

Initializes the display devices, clears the screen.

RETURN VALUE

None.

SEE ALSO

`glDispOnOFF`, `glBacklight`, `glSetContrast`, `glPlotDot`, `glBlock`, `glPlotDot`,
`glPlotPolygon`, `glPlotCircle`, `glHScroll`, `glVScroll`, `glXFontInit`, `glPrintf`,
`glPutChar`, `glSetBrushType`, `glBuffLock`, `glBuffUnlock`, `glPlotLine`

```
void glBackLight(int onOff);
```

Turns the display backlight on or off.

PARAMETER

`onOff` turns the backlight on or off

1—turn the backlight on

0—turn the backlight off

RETURN VALUE

None.

SEE ALSO

`glInit`, `glDispOnoff`, `glSetContrast`

```
void glDispOnOff(int onOff);
```

Sets the LCD screen on or off. Data will not be cleared from the screen.

PARAMETER

`onOff` turns the LCD screen on or off

1—turn the LCD screen on

0—turn the LCD screen off

RETURN VALUE

None.

SEE ALSO

`glInit`, `glSetContrast`, `glBackLight`

```
void glSetContrast(unsigned level);
```

Sets display contrast.

NOTE: This function is not used with the LCD/keypad module since the support circuits are not available on the LCD/keypad module.

```
void glFillScreen(char pattern);
```

Fills the LCD display screen with a pattern.

PARAMETER

The screen will be set to all black if **pattern** is 0xFF, all white if **pattern** is 0x00, and vertical stripes for any other pattern.

RETURN VALUE

None.

SEE ALSO

`glBlock`, `glBlankScreen`, `glPlotPolygon`, `glPlotCircle`

```
void glBlankScreen(void);
```

Blanks the LCD display screen (sets LCD display screen to white).

RETURN VALUE

None.

SEE ALSO

`glFillScreen`, `glBlock`, `glPlotPolygon`, `glPlotCircle`

```
void glFillRegion(int left, int top, int width,  
int height, char pattern);
```

Fills a rectangular block in the LCD buffer with the pattern specified. Any portion of the block that is outside the LCD display area will be clipped.

PARAMETERS

left is the x coordinate of the top left corner of the block.

top is the y coordinate of the top left corner of the block.

width is the width of the block.

height is the height of the block.

pattern is the bit pattern to display (all black if **pattern** is 0xFF, all white if **pattern** is 0x00, and vertical stripes for any other pattern).

RETURN VALUE

None.

SEE ALSO

`glFillScreen`, `glBlankScreen`, `glBlock`, `glBlankRegion`

```
void glFastFillRegion(int left, int top, int width,  
int height, char pattern);
```

Fills a rectangular block in the LCD buffer with the pattern specified. The block left and width parameters must be byte-aligned. Any portion of the block that is outside the LCD display area will be clipped.

PARAMETERS

left is the *x* coordinate of the top left corner of the block.

top is the *y* coordinate of the top left corner of the block.

width is the width of the block.

height is the height of the block.

pattern is the bit pattern to display (all black if **pattern** is 0xFF, all white if **pattern** is 0x00, and vertical stripes for any other pattern).

RETURN VALUE

None.

SEE ALSO

`glFillScreen`, `glBlankScreen`, `glBlock`, `glBlankRegion`

```
void glBlankRegion(int left, int top, int width,  
int height);
```

Clears a region on the LCD display. The block left and width parameters must be byte-aligned. Any portion of the block that is outside the LCD display area will be clipped.

PARAMETERS

left is the *x* coordinate of the top left corner of the block (*x* must be evenly divisible by 8).

top is the *y* coordinate of the top left corner of the block.

width is the width of the block (must be evenly divisible by 8).

height is the height of the block.

RETURN VALUE

None.

SEE ALSO

`glFillScreen`, `glBlankScreen`, `glBlock`

```
void glBlock(int left, int top, int width,  
int height);
```

Draws a rectangular block in the page buffer and on the LCD if the buffer is unlocked. Any portion of the block that is outside the LCD display area will be clipped.

PARAMETERS

left is the x coordinate of the top left corner of the block.

top is the y coordinate of the top left corner of the block.

width is the width of the block.

height is the height of the block.

RETURN VALUE

None.

SEE ALSO

`glFillScreen`, `glBlankScreen`, `glPlotPolygon`, `glPlotCircle`

```
void glPlotVPolygon(int n, int *pFirstCoord);
```

Plots the outline of a polygon in the LCD page buffer, and on the LCD if the buffer is unlocked. Any portion of the polygon that is outside the LCD display area will be clipped. If fewer than 3 vertices are specified, the function will return without doing anything.

PARAMETERS

n is the number of vertices.

pFirstCoord is a pointer to array of vertex coordinates: **x1,y1, x2,y2, x3,y3, ...**

RETURN VALUE

None.

SEE ALSO

`glPlotPolygon`, `glFillPolygon`, `glFillVPolygon`

```
void glPlotPolygon(int n, int y1, int x1, int y2,  
int x2, ...);
```

Plots the outline of a polygon in the LCD page buffer and on the LCD if the buffer is unlocked. Any portion of the polygon that is outside the LCD display area will be clipped. If fewer than 3 vertices are specified, the function will return without doing anything.

PARAMETERS

n is the number of vertices.

y1 is the y coordinate of the first vertex.

x1 is the x coordinate of the first vertex.

y2 is the y coordinate of the second vertex.

x2 is the x coordinate of the second vertex.

... are the coordinates of additional vertices.

RETURN VALUE

None.

SEE ALSO

`glPlotVPolygon`, `glFillPolygon`, `glFillVPolygon`

```
void glFillVPolygon(int n, int *pFirstCoord);
```

Fills a polygon in the LCD page buffer and on the LCD screen if the buffer is unlocked. Any portion of the polygon that is outside the LCD display area will be clipped. If fewer than 3 vertices are specified, the function will return without doing anything.

PARAMETERS

n is the number of vertices.

pFirstCoord is a pointer to array of vertex coordinates: **x1,y1, x2,y2, x3,y3, ...**

RETURN VALUE

None.

SEE ALSO

`glFillPolygon`, `glPlotPolygon`, `glPlotVPolygon`

```
void glFillPolygon(int n, int x1, int y1, int x2,  
int y2, ...);
```

Fills a polygon in the LCD page buffer and on the LCD if the buffer is unlocked. Any portion of the polygon that is outside the LCD display area will be clipped. If fewer than 3 vertices are specified, the function will return without doing anything.

PARAMETERS

n is the number of vertices.
x1 is the x coordinate of the first vertex.
y1 is the y coordinate of the first vertex.
x2 is the x coordinate of the second vertex.
y2 is the y coordinate of the second vertex.
... are the coordinates of additional vertices.

RETURN VALUE

None.

SEE ALSO

`glFillVPolygon`, `glPlotPolygon`, `glPlotVPolygon`

```
void glPlotCircle(int xc, int yc, int rad);
```

Draws the outline of a circle in the LCD page buffer and on the LCD if the buffer is unlocked. Any portion of the circle that is outside the LCD display area will be clipped.

PARAMETERS

xc is the x coordinate of the center of the circle.
yc is the y coordinate of the center of the circle.
rad is the radius of the center of the circle (in pixels).

RETURN VALUE

None.

SEE ALSO

`glFillCircle`, `glPlotPolygon`, `glFillPolygon`

```
void glFillCircle(int xc, int yc, int rad);
```

Draws a filled circle in the LCD page buffer and on the LCD if the buffer is unlocked. Any portion of the circle that is outside the LCD display area will be clipped.

PARAMETERS

xc is the x coordinate of the center of the circle.
yc is the y coordinate of the center of the circle.
rad is the radius of the center of the circle (in pixels).

RETURN VALUE

None.

SEE ALSO

`glPlotCircle`, `glPlotPolygon`, `glFillPolygon`


```
void glXFontInit(fontInfo *pInfo, char pixWidth,
char pixHeight, unsigned startChar,
unsigned endChar, unsigned long xmemBuffer);
```

Initializes the font descriptor structure, where the font is stored in **xmem**. Each font character's bitmap is column major and byte-aligned.

PARAMETERS

pInfo is a pointer to the font descriptor to be initialized.

pixWidth is the width (in pixels) of each font item.

pixHeight is the height (in pixels) of each font item.

startChar is the value of the first printable character in the font character set.

endChar is the value of the last printable character in the font character set.

xmemBuffer is the **xmem** pointer to a linear array of font bitmaps.

RETURN VALUE

None.

SEE ALSO

`glPrintf`

```
unsigned long glFontCharAddr(fontInfo *pInfo,
char letter);
```

Returns the **xmem** address of the character from the specified font set.

PARAMETERS

***pInfo** is the **xmem** address of the bitmap font set.

letter is an ASCII character.

RETURN VALUE

xmem address of bitmap character font, column major and byte-aligned.

SEE ALSO

`glPutFont`, `glPrintf`

```
void glPutFont(int x, int y, fontInfo *pInfo,  
char code);
```

Puts an entry from the font table to the page buffer and on the LCD if the buffer is unlocked. Each font character's bitmap is column major and byte-aligned. Any portion of the bitmap character that is outside the LCD display area will be clipped.

PARAMETERS

x is the *x* coordinate (column) of the top left corner of the text.

y is the *y* coordinate (row) of the top left corner of the text.

pInfo is a pointer to the font descriptor.

code is the ASCII character to display.

RETURN VALUE

None.

SEE ALSO

`glFontCharAddr`, `glPrintf`

```
void glSetPfStep(int stepX, int stepY);
```

Sets the `glPrintf()` printing step direction. The *x* and *y* step directions are independent signed values. The actual step increments depend on the height and width of the font being displayed, which are multiplied by the step values.

PARAMETERS

stepX is the `glPrintf` *x* step value

stepY is the `glPrintf` *y* step value

RETURN VALUE

None.

SEE ALSO

Use `glGetPfStep()` to examine the current *x* and *y* printing step direction.

```
int glGetPfStep(void);
```

Gets the current `glPrintf()` printing step direction. Each step direction is independent of the other, and is treated as an 8-bit signed value. The actual step increments depends on the height and width of the font being displayed, which are multiplied by the step values.

RETURN VALUE

The *x* step is returned in the MSB, and the *y* step is returned in the LSB of the integer result.

SEE ALSO

Use `glGetPfStep()` to control the *x* and *y* printing step direction.

```
void glPutChar(char ch, char *ptr, int *cnt,
               glPutCharInst *pInst)
```

Provides an interface between the **STDIO** string-handling functions and the graphic library. The **STDIO** string-formatting function will call this function, one character at a time, until the entire formatted string has been parsed. Any portion of the bitmap character that is outside the LCD display area will be clipped.

PARAMETERS

ch is the character to be displayed on the LCD.
***ptr** is not used, but is a place holder for **STDIO** string functions.
***cnt** is not used, is a place holder for **STDIO** string functions.
pInst is a pointer to the font descriptor.

RETURN VALUE

None.

SEE ALSO

`glPrintf`, `glPutFont`, `doprnt`

```
void glPrintf(int x, int y, fontInfo *pInfo,
              char *fmt, ...);
```

Prints a formatted string (much like `printf`) on the LCD screen. Only the character codes that exist in the font set are printed, all others are skipped. For example, `'\b'`, `'\t'`, `'\n'` and `'\r'` (ASCII backspace, tab, new line, and carriage return, respectively) will be printed if they exist in the font set, but will not have any effect as control characters. Any portion of the bitmap character that is outside the LCD display area will be clipped.

PARAMETERS

x is the *x* coordinate (column) of the upper left corner of the text.
y is the *y* coordinate (row) of the upper left corner of the text.
pInfo is a pointer to the font descriptor.
***fmt** is a formatted string.
... are formatted string conversion parameter(s).

EXAMPLE

```
glprintf(0,0, &fi12x16, "Test %d\n", count);
```

RETURN VALUE

None.

SEE ALSO

`glXFontInit`

void glBuffLock(void);

Increments LCD screen locking counter. Graphic calls are recorded in the LCD memory buffer and are not transferred to the LCD if the counter is non-zero.

NOTE: `glBuffLock()` and `glBuffUnlock()` can be nested up to a level of 255, but be sure to balance the calls. It is not a requirement to use these procedures, but a set of `glBuffLock()` and `glBuffUnlock()` bracketing a set of related graphic calls speeds up the rendering significantly.

RETURN VALUE

None.

SEE ALSO

`glBuffUnlock`, `glSwap`

void glBuffUnlock(void);

Decrements the LCD screen locking counter. The contents of the LCD buffer are transferred to the LCD if the counter goes to zero.

RETURN VALUE

None.

SEE ALSO

`glBuffLock`, `glSwap`

void glSwap(void);

Checks the LCD screen locking counter. The contents of the LCD buffer are transferred to the LCD if the counter is zero.

RETURN VALUE

None.

SEE ALSO

`glBuffUnlock`, `glBuffLock`, `_glSwapData` (located in the library specifically for the LCD that you are using)

void glSetBrushType(int type);

Sets the drawing method (or color) of pixels drawn by subsequent graphic calls.

PARAMETER

`type` value can be one of the following macros.

PIXBLACK draws black pixels (turns pixel on).

PIXWHITE draws white pixels (turns pixel off).

PIXXOR draws old pixel XOR'ed with the new pixel.

RETURN VALUE

None.

SEE ALSO

`glGetBrushType`

```
int glGetBrushType(void);
```

Gets the current method (or color) of pixels drawn by subsequent graphic calls.

RETURN VALUE

The current brush type.

SEE ALSO

`glSetBrushType`

```
void glXGetBitmap(int x, int y, int bmWidth,  
int bmHeight, unsigned long xBm);
```

Gets a bitmap from the LCD page buffer and stores it in **xmem** RAM. This function automatically calls `glXGetFastmap` if the left edge of the bitmap is byte-aligned and the left edge and width are each evenly divisible by 8.

This function call is intended for use only when a graphic engine is used to interface with the LCD/keypad module.

PARAMETERS

x is the *x* coordinate in pixels of the top left corner of the bitmap (*x* must be evenly divisible by 8).

y is the *y* coordinate in pixels of the top left corner of the bitmap.

bmWidth is the width in pixels of the bitmap (must be evenly divisible by 8).

bmHeight is the height in pixels of the bitmap.

xBm is the **xmem** RAM storage address of the bitmap.

RETURN VALUE

None.

```
void glXGetFastmap(int left, int top, int width,  
int height, unsigned long xmemptr);
```

Draws bitmap in the specified space. The data for the bitmap are stored in **xmem**. This function is similar to `glXPutBitmap`, except that it's faster. The bitmap must be byte-aligned. Any portion of a bitmap image or character that is outside the LCD display area will be clipped.

This function call is intended for use only when a graphic engine is used to interface with the LCD/keypad module.

PARAMETERS

left is the *x* coordinate of the top left corner of the bitmap (*x* must be evenly divisible by 8).

top is the *y* coordinate in pixels of the top left corner of the bitmap.

width is the width of the bitmap (must be evenly divisible by 8).

height is the height of the bitmap.

xmemptr is the **xmem** RAM storage address of the bitmap.

RETURN VALUE

None.

SEE ALSO

`glXPutBitmap`, `glPrintf`

```
void glPlotDot(int x, int y);
```

Draws a single pixel in the LCD buffer, and on the LCD if the buffer is unlocked. If the coordinates are outside the LCD display area, the dot will not be plotted.

PARAMETERS

x is the x coordinate of the dot.

y is the y coordinate of the dot.

RETURN VALUE

None.

SEE ALSO

`glPlotline`, `glPlotPolygon`, `glPlotCircle`

```
void glPlotLine(int x0, int y0, int x1, int y1);
```

Draws a line in the LCD buffer, and on the LCD if the buffer is unlocked. Any portion of the line that is beyond the LCD display area will be clipped.

PARAMETERS

x0 is the x coordinate of one endpoint of the line.

y0 is the y coordinate of one endpoint of the line.

x1 is the x coordinate of the other endpoint of the line.

y1 is the y coordinate of the other endpoint of the line.

RETURN VALUE

None.

SEE ALSO

`glPlotDot`, `glPlotPolygon`, `glPlotCircle`

```
void glLeft1(int left, int top, int cols, int rows);
```

Scrolls byte-aligned window left one pixel, right column is filled by current pixel type (color).

PARAMETERS

left is the top left corner of bitmap, must be evenly divisible by 8, otherwise truncates.

top is the top left corner of the bitmap.

cols is the number of columns in the window, must be evenly divisible by 8, otherwise truncates.

rows is the number of rows in the window.

RETURN VALUE

None.

SEE ALSO

`glHScroll1`, `glRight1`

```
void glRight1(int left, int top, int cols, int rows);
```

Scrolls byte-aligned window right one pixel, left column is filled by current pixel type (color).

PARAMETERS

left is the top left corner of bitmap, must be evenly divisible by 8, otherwise truncates.

top is the top left corner of the bitmap.

cols is the number of columns in the window, must be evenly divisible by 8, otherwise truncates.

rows is the number of rows in the window.

RETURN VALUE

None.

SEE ALSO

`glHScroll`, `glLeft1`

```
void glUp1(int left, int top, int cols, int rows);
```

Scrolls byte-aligned window up one pixel, bottom column is filled by current pixel type (color).

PARAMETERS

left is the top left corner of bitmap, must be evenly divisible by 8, otherwise truncates.

top is the top left corner of the bitmap.

cols is the number of columns in the window, must be evenly divisible by 8, otherwise truncates.

rows is the number of rows in the window.

RETURN VALUE

None.

SEE ALSO

`glVScroll`, `glDown1`

```
void glDown1(int left, int top, int cols, int rows);
```

Scrolls byte-aligned window down one pixel, top column is filled by current pixel type (color).

PARAMETERS

left is the top left corner of bitmap, must be evenly divisible by 8, otherwise truncates.

top is the top left corner of the bitmap.

cols is the number of columns in the window, must be evenly divisible by 8, otherwise truncates.

rows is the number of rows in the window.

RETURN VALUE

None.

SEE ALSO

`glVScroll`, `glUp1`

```
void glHScroll(int left, int top, int cols,  
int rows, int nPix);
```

Scrolls right or left, within the defined window by x number of pixels. The opposite edge of the scrolled window will be filled in with white pixels. The window must be byte-aligned.

Parameters will be verified for the following:

1. The **left** and **cols** parameters will be verified that they are evenly divisible by 8. If not, they will be truncated to a value that is a multiple of 8.
2. Parameters will be checked to verify that the scrolling area is valid. The minimum scrolling area is a width of 8 pixels and a height of one row.

PARAMETERS

left is the top left corner of bitmap, must be evenly divisible by 8.

top is the top left corner of the bitmap.

cols is the number of columns in the window, must be evenly divisible by 8.

rows is the number of rows in the window.

nPix is the number of pixels to scroll within the defined window (a negative value will produce a scroll to the left).

RETURN VALUE

None.

SEE ALSO

`glVScroll`


```
void glVScroll(int left, int top, int cols,
               int rows, int nPix);
```

Scrolls up or down, within the defined window by x number of pixels. The opposite edge of the scrolled window will be filled in with white pixels. The window must be byte-aligned.

Parameters will be verified for the following:

1. The **left** and **cols** parameters will be verified that they are evenly divisible by 8. If not, they will be truncated to a value that is a multiple of 8.
2. Parameters will be checked to verify that the scrolling area is valid. The minimum scrolling area is a width of 8 pixels and a height of one row.

PARAMETERS

left is the top left corner of bitmap, must be evenly divisible by 8.

top is the top left corner of the bitmap.

cols is the number of columns in the window, must be evenly divisible by 8.

rows is the number of rows in the window.

nPix is the number of pixels to scroll within the defined window (a negative value will produce a scroll up).

RETURN VALUE

None.

SEE ALSO

`glHScroll`

```
void glXPutBitmap(int left, int top, int width,
                  int height, unsigned long bitmap);
```

Draws bitmap in the specified space. The data for the bitmap are stored in **xmem**. This function calls `glXPutFastmap` automatically if the bitmap is byte-aligned (the left edge and the width are each evenly divisible by 8).

Any portion of a bitmap image or character that is outside the LCD display area will be clipped.

PARAMETERS

left is the top left corner of the bitmap.

top is the top left corner of the bitmap.

width is the width of the bitmap.

height is the height of the bitmap.

bitmap is the address of the bitmap in **xmem**.

RETURN VALUE

None.

SEE ALSO

`glXPutFastmap`, `glPrintf`

```
void glXPutFastmap(int left, int top, int width,
                  int height, unsigned long bitmap);
```

Draws bitmap in the specified space. The data for the bitmap are stored in **xmem**. This function is like **glXPutBitmap**, except that it is faster. The restriction is that the bitmap must be byte-aligned.

Any portion of a bitmap image or character that is outside the LCD display area will be clipped.

PARAMETERS

left is the top left corner of the bitmap, must be evenly divisible by 8, otherwise truncates.

top is the top left corner of the bitmap.

width is the width of the bitmap, must be evenly divisible by 8, otherwise truncates.

height is the height of the bitmap.

bitmap is the address of the bitmap in **xmem**.

RETURN VALUE

None.

SEE ALSO

glXPutBitmap, **glPrintf**

```
int TextWindowFrame(windowFrame *window,
                  fontInfo *pFont, int x, int y, int winWidth,
                  int winHeight)
```

Defines a text-only display window. This function provides a way to display characters within the text window using only character row and column coordinates. The text window feature provides end-of-line wrapping and clipping after the character in the last column and row is displayed.

NOTE: Execute the **TextWindowFrame** function before other **Text...** functions.

PARAMETERS

window is a pointer to the window frame descriptor.

pFont is a pointer to the font descriptor.

x is the x coordinate of the top left corner of the text window frame.

y is the y coordinate of the top left corner of the text window frame.

winWidth is the width of the text window frame.

winHeight is the height of the text window frame.

RETURN VALUE

0—window frame was successfully created.

-1—x coordinate + width has exceeded the display boundary.

-2—y coordinate + height has exceeded the display boundary.

-3—Invalid winHeight and/or winWidth parameter value.

```
void TextBorderInit(windowFrame *wPtr, int border,
char *title);
```

This function initializes the window frame structure with the border and title information.

NOTE: Execute the `TextWindowFrame` function before using this function.

PARAMETERS

`wPtr` is a pointer to the window frame descriptor.

`border` is the border style:

SINGLE_LINE—The function will draw a single-line border around the text window.

DOUBLE_LINE—The function will draw a double-line border around the text window.

`title` is a pointer to the title information:

If a **NULL** string is detected, then no title is written to the text menu.

If a string is detected, then it will be written center-aligned to the top of the text menu box.

RETURN VALUE

None.

SEE ALSO

`TextBorder`, `TextGotoXY`, `TextPutChar`, `TextWindowFrame`, `TextCursorLocation`

```
void TextBorder(windowFrame *wPtr);
```

This function displays the border for a given window frame. This function will automatically adjust the text window parameters to accommodate the space taken by the text border. This adjustment will only occur once after the `TextBorderInit` function executes.

NOTE: Execute the `TextWindowFrame` function before using this function.

PARAMETERS

`wPtr` is a pointer to the window frame descriptor.

RETURN VALUE

None.

SEE ALSO

`TextBorderInit`, `TextGotoXY`, `TextPutChar`, `TextWindowFrame`,
`TextCursorLocation`

```
void TextGotoXY(windowFrame *window, int col,
int row);
```

Sets the cursor location to display the next character. The display location is based on the height and width of the character to be displayed.

NOTE: Execute the `TextWindowFrame` function before using this function.

PARAMETERS

`window` is a pointer to a font descriptor.

`col` is a character column location.

`row` is a character row location.

RETURN VALUE

None.

SEE ALSO

`TextPutChar`, `TextPrintf`, `TextWindowFrame`

```
void TextCursorLocation(windowFrame *window,
int *col, int *row);
```

Gets the current cursor location that was set by a Graphic `Text...` function.

NOTE: Execute the `TextWindowFrame` function before using this function.

PARAMETERS

`window` is a pointer to a font descriptor.

`col` is a pointer to cursor column variable.

`row` is a pointer to cursor row variable.

RETURN VALUE

Lower word = Cursor Row location

Upper word = Cursor Column location

SEE ALSO

`TextGotoXY`, `TextPrintf`, `TextWindowFrame`, `TextCursorLocation`

```
void TextPutChar(struct windowFrame *window, char ch);
```

Displays a character on the display where the cursor is currently pointing. Once a character is displayed, the cursor will be incremented to the next character position. If any portion of a bitmap character is outside the LCD display area, the character will not be displayed.

NOTE: Execute the `TextWindowFrame` function before using this function.

PARAMETERS

`*window` is a pointer to a font descriptor.

`ch` is a character to be displayed on the LCD.

RETURN VALUE

None.

SEE ALSO

`TextGotoXY`, `TextPrintf`, `TextWindowFrame`, `TextCursorLocation`

```
void TextPrintf(struct windowFrame *window,  
char *fmt, ...);
```

Prints a formatted string (much like `printf`) on the LCD screen. Only printable characters in the font set are printed; escape sequences `\r` and `\n` are also recognized. All other escape sequences will be skipped over; for example, `\b` and `\t` will cause nothing to be displayed.

The text window feature provides end-of-line wrapping and clipping after the character in the last column and row is displayed. The cursor then remains at the end of the string.

NOTE: Execute the `TextWindowFrame` function before using this function.

PARAMETERS

`window` is a pointer to a font descriptor.

`*fmt` is a formatted string.

`...` are formatted string conversion parameter(s).

EXAMPLE

```
TextPrintf(&TextWindow, "Test %d\n", count);
```

RETURN VALUE

None.

SEE ALSO

`TextGotoXY`, `TextPutChar`, `TextWindowFrame`, `TextCursorLocation`

```
int TextMaxChars(windowFrame *wPtr);
```

This function returns the maximum number of characters that can be displayed within the text window.

NOTE: Execute the `TextWindowFrame` function before using this function.

PARAMETERS

`wPtr` is a pointer to the window frame descriptor.

RETURN VALUE

The maximum number of characters that can be displayed within the text window.

SEE ALSO

`TextGotoXY`, `TextPrintf`, `TextWindowFrame`, `TextCursorPosition`

```
void TextWinClear(windowFrame *wPtr);
```

This functions clears the entire area within the specified text window.

NOTE: Execute the `TextWindowFrame` function before using this function.

PARAMETERS

`wPtr` is a pointer to the window frame descriptor.

RETURN VALUE

None.

SEE ALSO

`TextGotoXY`, `TextPrintf`, `TextWindowFrame`, `TextCursorPosition`

C.9.4 Keypad

The functions used to control the keypad are contained in the Dynamic C `LIB\KEYPADS\KEYPAD7.LIB` library.

```
void keyInit(void);
```

Initializes keypad process

RETURN VALUE

None.

SEE ALSO

`brdInit`

```
void keyConfig(char cRaw, char cPress,  
char cRelease, char cCntHold, char cSpdLo,  
char cCntLo, char cSpdHi);
```

Assigns each key with key press and release codes, and hold and repeat ticks for auto repeat and debouncing.

PARAMETERS

`cRaw` is a raw key code index.

1x7 keypad matrix with raw key code index assignments (in brackets):

[0]	[1]	[2]	[3]
[4]	[5]	[6]	

User Keypad Interface

`cPress` is a key press code

An 8-bit value is returned when a key is pressed.

0 = Unused.

See `keypadDef()` for default press codes.

`cRelease` is a key release code.

An 8-bit value is returned when a key is pressed.

0 = Unused.

`cCntHold` is a hold tick, which is approximately one debounce period or 5 μ s.

How long to hold before repeating.

0 = No Repeat.

`cSpdLo` is a low-speed repeat tick, which is approximately one debounce period or 5 μ s.

How many times to repeat.

0 = None.

`cCntLo` is a low-speed hold tick, which is approximately one debounce period or 5 μ s.

How long to hold before going to high-speed repeat.

0 = Slow Only.

`cSpdHi` is a high-speed repeat tick, which is approximately one debounce period or 5 μ s.

How many times to repeat after low speed repeat.

0 = None.

RETURN VALUE

None.

SEE ALSO

`keyProcess`, `keyGet`, `keypadDef`

```
void keyProcess(void);
```

Scans and processes keypad data for key assignment, debouncing, press and release, and repeat.

NOTE: This function is also able to process an 8 \times 8 matrix keypad.

RETURN VALUE

None

SEE ALSO

`keyConfig`, `keyGet`, `keypadDef`

```
char keyGet(void);
```

Get next keypress

RETURN VALUE

The next keypress, or 0 if none

SEE ALSO

`keyConfig`, `keyProcess`, `keypadDef`

```
int keyUnget(char cKey);
```

Pushes the value of `cKey` to the top of the input queue, which is 16 bytes deep.

PARAMETER

`cKey`

RETURN VALUE

None.

SEE ALSO

`keyGet`

`void keypadDef () ;`

Configures the physical layout of the keypad with the desired ASCII return key codes.

Keypad physical mapping 1 × 7

0	4	1	5	2	6	3
['L']		['U']		['D']		['R']
	['-']		['+']		['E']	

where

'D' represents Down Scroll

'U' represents Up Scroll

'R' represents Right Scroll

'L' represents Left Scroll

'-' represents Page Down

'+' represents Page Up

'E' represents the ENTER key

Example: Do the following for the above physical vs. ASCII return key codes.

```
keyConfig ( 3, 'R', 0, 0, 0, 0, 0 );  
keyConfig ( 6, 'E', 0, 0, 0, 0, 0 );  
keyConfig ( 2, 'D', 0, 0, 0, 0, 0 );  
keyConfig ( 4, '-', 0, 0, 0, 0, 0 );  
keyConfig ( 1, 'U', 0, 0, 0, 0, 0 );  
keyConfig ( 5, '+', 0, 0, 0, 0, 0 );  
keyConfig ( 0, 'L', 0, 0, 0, 0, 0 );
```

Characters are returned upon keypress with no repeat.

RETURN VALUE

None.

SEE ALSO

`keyConfig`, `keyGet`, `keyProcess`

`void keyScan(char *pcKeys) ;`

Writes "1" to each row and reads the value. The position of a keypress is indicated by a zero value in a bit position.

PARAMETER

`pcKeys` is a pointer to the address of the value read.

RETURN VALUE

None.

SEE ALSO

`keyConfig`, `keyGet`, `keypadDef`, `keyProcess`

APPENDIX D. POWER SUPPLY

Appendix D provides information on the current requirements of the RCM3750, and includes some background on the chip select circuit used in power management.

D.1 Power Supplies

Power is supplied from the motherboard to which the RCM3750 is connected via header J1.

D.1.1 RCM3750

The RCM3750 has an onboard +3.3 V linear power regulator that provides the +3.3 V supply to operate the microprocessor-related circuitry of the RCM3750. Figure D-1 shows the power-supply circuit.

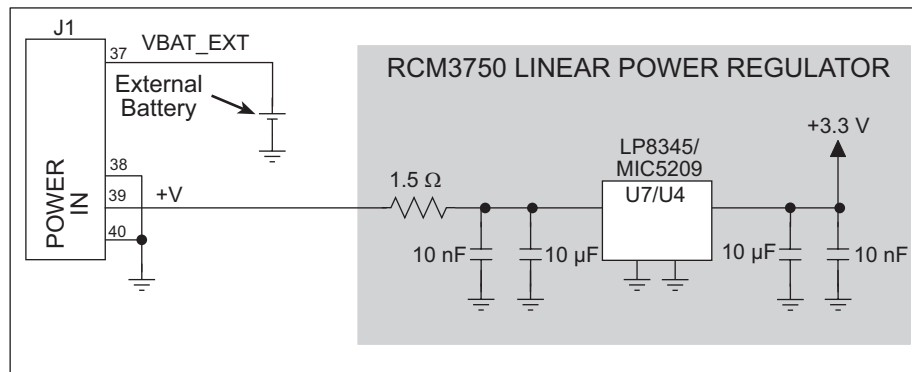


Figure D-1. RCM3750 Power Supply

The RCM3750 requires a regulated 4.75 V to 5.25 V DC power source. An RCM3750 with no loading at the outputs operating at 22.1 MHz typically draws 175 mA when the Ethernet connection is active.

D.1.2 Battery-Backup Circuits

The RCM3750 does not have a battery, but there is provision for a customer-supplied battery to back up the data SRAM and keep the internal Rabbit 3000 real-time clock running.

Header J1, shown in Figure D-1, allows access to the external battery for the RCM3750. This header makes it possible to connect an external 3 V backup battery. This allows the SRAM and the internal Rabbit 3000 real-time clock to retain data with the RCM3750 powered down.

A lithium battery with a nominal voltage of 3 V and a minimum capacity of 165 mA·h is recommended. A lithium battery is strongly recommended because of its nearly constant nominal voltage over most of its life.

The drain on the battery by the RCM3750 is typically 6 μ A when no other power is supplied. If a 235 mA·h battery is used, the battery can last about 4.5 years:

$$\frac{235 \text{ mA}\cdot\text{h}}{6 \text{ }\mu\text{A}} = 4.5 \text{ years.}$$

The actual life in your application will depend on the current drawn by components not on the RCM3750 and the storage capacity of the battery. The RCM3750 does not drain the battery while it is powered up normally.

Cycle the main power off/on on the RCM3750 after you install a backup battery for the first time, and whenever you replace the battery. This step will minimize the current drawn by the real-time clock oscillator circuit from the backup battery should the RCM3750 experience a loss of main power.

NOTE: Remember to cycle the main power off/on any time the RCM3750 is removed from the Prototyping Board or motherboard since that is where the backup battery would be located.

D.1.3 Reset Generator

The RCM3750 uses a reset generator to reset the Rabbit 3000 microprocessor when the voltage drops below the voltage necessary for reliable operation. The reset occurs between 2.85 V and 3.00 V, typically 2.93 V.

The RCM3750 has a reset pin, pin 36 on header J1. This pin provides access to the reset output from the reset generator, and is also connected to the reset input of the Rabbit 3000 to allow you to reset the microprocessor externally. R21 protects the reset generator from being overdriven. This allows the same pin (pin 36 on header J1) to be used to either sense a reset or to force a reset.

APPENDIX E. SECURE EMBEDDED WEB APPLICATION KIT

Appendix E provides information for the Secure Embedded Web Application Kit based on the RCM3700. In addition to an RCM3700 series RabbitCore module and Dynamic C 8.51 or a later version, the Secure Embedded Web Application Kit comes with an enhanced software bundle that facilitates the rapid development of secure Web browser interfaces for embedded system control.

The enhanced software bundle that is provided in the Secure Embedded Web Application Kit comes on three CD-ROMs. The software modules included in the software bundle require Dynamic C 8.51 or a later version, which is included on a separate CD-ROM in the Secure Embedded Web Application Kit.

Software Modules on CD-ROM 1—Dynamic C FAT File System module.

The Dynamic C FAT (File Allocation Table) File System module provides a ready-to-run flash-based file system that:

- works with a Dynamic C[®] HTTP or RabbitWeb server to update content reliably
- provides reliable storage and transfer of databases and Web pages according to an established, widely used file system
- supports a battery-backed wear-reducing cache system that protects the file system during power cycles

Software Modules on CD-ROM 2—Dynamic C RabbitWeb module.

The Dynamic C RabbitWeb module provides an HTTP/HTML rapid Web development extension for embedded devices, allowing you to:

- read and write program variables remotely, eliminating complex CGI programming
- easily create controls such as pulldown menus or control buttons
- ensure valid input values and proper user authorization
- elegantly indicate input errors for easy correction

Software Modules on CD-ROM 3—Dynamic C Secure Sockets Layer (SSL) module. This module provides HTTPS security for supported Rabbit-based devices to provide:

- fast processing of complex encryption algorithms (up to 120 kbits/s)
- support for HTTPS with SSL version 3 and Transport Layer Security (TLS) version 1
- royalty- and license-free with digital certificate creation utility
- secure existing Web application in minutes with less than 10 lines of code

E.1 Sample Programs

Sample programs are included with the bundled Dynamic C modules to illustrate the software features associated with each Dynamic C module.

- The **SAMPLES\FILESYSTEM** folder contains sample programs that demonstrate the use of the Dynamic C FAT file system.
- The **SAMPLES\TCPIP\RABBITWEB** folder contains sample programs that demonstrate the use of the Dynamic C RabbitWeb software.
- The **SAMPLES\TCPIP\SSL\HTTPS** folder contains sample programs that demonstrate the use of the Dynamic C Secure Sockets Layer (SSL) software.

E.2 Module Documentation

Complete documentation for the Dynamic C modules and their functions is provided as part of the Dynamic C installation. Double-click the documentation icon to reach the menu or, if the icon is missing, use your browser to find and load **default.htm** in the **docs** folder, found in the Dynamic C installation folder.

INDEX

A

A/D converter
function calls
 anaIn 43
 anaInCalib 45
 anaInConfig 39
 anaInDiff 48
 anaInDriver 41
 anaInEERd 50
 anaInEEWr 52
 anaInmAmps 49
 anaInVolts 47
 digConfig 53
 digIn 54
 digOut 54
additional information
 online documentation 6
Add-On Kit
 Wi-Fi 5
analog inputs *See* A/D converter
application kits
 Ethernet Connection Kit 5
 Secure Embedded Web
 Application Kit 5
auxiliary I/O bus 26
 software 132

B

battery backup
 battery life 158
board initialization
 function calls 38
 brdInit 38
bus loading 80

C

clock doubler 32
conformal coating 85

D

Development Kit 4, 7
 AC adapter 4
 DC power supply 4
 Getting Started instructions 4
 programming cable 4
digital I/O 22
 I/O buffer sourcing and sink-
 ing limits 84
 memory interface 26
 SMODE0 29
 SMODE1 29
dimensions
 LCD/keypad module 121
 LCD/keypad template 124
 RCM3700 Prototyping Board
 91
 RCM3720 Prototyping Board
 111
 RCM3750 76
Dynamic C 5, 7, 11, 35
add-on modules 5, 7, 57
 FAT file system module 159
 installation 7
 RabbitWeb module 159
 Secure Sockets Layer (SSL)
 module 160
libraries 37
sample programs 15
standard features
 debugging 36
telephone-based technical
 support 5, 57
upgrades and patches 57
USB port settings 11

E

Ethernet cables 59
Ethernet connections 59, 61
 10/100-compatible 61
 10Base-T Ethernet card 59
 additional resources 74
 direct connection 61
 Ethernet hub 59
 IP addresses 61, 63
 MAC addresses 64
 steps 59, 60
Ethernet port 28
 pinout 28
exclusion zone 77

F

features 1
 RCM3700 Prototyping Board
 88, 89
 RCM3720 Prototyping Board
 109, 110
flash memory addresses
 user blocks 33

H

hardware connections
 install RCM3750 on
 Prototyping Board 8
 power supply 10
 programming cable 9
hardware reset 10
headers
 RCM3700 Prototyping Board
 JP1 103
 JP2 100
 RCM3720 Prototyping Board
 J3 117

I

- I/O address assignments
 - LCD/keypad module 125
- I/O buffer sourcing and sinking
 - limits 84
- IP addresses 63
 - how to set in sample programs 68
 - how to set PC IP address ... 69

J

- jumper configurations 86
 - JP3 (flash memory size) 86
 - JP4 (flash memory bank select) 33, 86
- jumper locations 86
- RCM3700 Prototyping Board 105
 - JP1 (RS-485 bias and termination resistors) 103, 106
 - JP2 (RS-232/RS-485 on Serial Port E) 106
 - JP4 (A/D converter outputs) 106
 - JP5 (analog inputs reference) 106
 - JP6 (analog inputs reference) 106
 - JP7 (analog inputs reference) 106
 - JP8 (analog voltage/4–20 mA measurement options) 106
- RCM3720 Prototyping Board 115

K

- keypad template 124
 - removing and inserting label 124

L

- LCD/keypad module
 - bezel-mount installation .. 128
 - dimensions 121
 - function calls
 - dispInit 132
 - header pinout 125
 - I/O address assignments .. 125

- keypad
 - function calls
 - keyConfig 153
 - keyGet 154
 - keyInit 153
 - keypadDef 155
 - keyProcess 154
 - keyScan 155
 - keyUnget 154
 - keypad template 124

LCD display

function calls

- glBackLight 133
- glBlankRegion 135
- glBlankScreen 134
- glBlock 136
- glBuffLock 142
- glBuffUnlock 142
- glDispOnOff 133
- glDown1 145
- glFastFillRegion 135
- glFillCircle 138
- glFillPolygon 138
- glFillRegion 134
- glFillScreen 134
- glFillVPolygon 137
- glFontCharAddr 139
- glGetBrushType 143
- glGetPfStep 140
- glHScroll 146
- glInit 133
- glLeft1 144
- glPlotCircle 138
- glPlotDot 144
- glPlotLine 144
- glPlotPolygon 137
- glPlotVPolygon 136
- glPrintf 141
- glPutChar 141
- glPutFont 140
- glRight1 145
- glSetBrushType 142
- glSetContrast 134
- glSetPfStep 140
- glSwap 142
- glUp1 145
- glVScroll 147
- glXFontInit 139
- glXGetBitmap 143
- glXGetFastmap 143
- glXPutBitmap 147
- glXPutFastmap 148

- TextBorder 149
- TextBorderInit 149
- TextCursorLocation .. 150
- TextGotoXY 150
- TextMaxChars 152
- TextPrintf 151
- TextPutChar 151
- TextWinClear 152
- TextWindowFrame .. 148

LEDs

- function calls 132
 - displedOut 132
- mounting instructions 127
- reconfigure keypad 124
- remote cable connection .. 130
- removing and inserting keypad label 124
- sample programs 131
- specifications 122
- versions 121
- voltage settings 123

M

- MAC addresses 64
- mounting instructions
 - LCD/keypad module 127

P

pinout

- Ethernet port 28
- LCD/keypad module 125
- RCM3700 Prototyping Board 93
- RCM3720 Prototyping Board 113
- RCM3750
 - alternate configurations .24
 - headers 22
- power supplies
 - battery backup 158
 - RCM3750 157
 - linear voltage regulator 157
- Program Mode 30
 - switching modes 30
- programming cable
 - PROG connector 30
 - RCM3750 connections 9
- programming port 28
- Prototyping Board
 - features 15
 - mounting RCM3750 8
 - sample programs 15

R		
Rabbit 3000		
data and clock delays	82	
spectrum spreader time delays	82	
Rabbit subsystems	23	
RCM3700 Prototyping Board	88	
A/D converter		
CONVERT pin	98	
inputs		
current measurements	97	
differential measurements	96	
negative voltages	96	
single-ended measurements	95	
reference voltage (VREF)	98	
adding components	94	
dimensions	91	
expansion area	89	
features	88, 89	
jumper configurations	105, 106	
jumper locations	105	
pinout	93	
power supply	92	
prototyping area	94	
RS-485 network	102	
termination and bias resistors	103	
specifications	92	
use of parallel ports	107	
RCM3720 Prototyping Board	109	
adding components	115	
RS-232 components	116	
dimensions	111	
expansion area	110	
features	109, 110	
how to disable demonstration hardware	114	
jumper configurations	115	
pinout	113	
power supply	112	
prototyping area	115	
specifications	112	
use of parallel ports	118	
RCM3750		
mounting on Prototyping Board	8	
reset	10	
reset generator	158	
use of reset pin	158	
Run Mode	30	
switching modes	30	
S		
sample programs	15	
A/D converter		
AD_CALDIFF_CH.C	19, 99	
AD_CALMA_CH.C	19, 99	
AD_CALSE_ALL.C	19, 99	
AD_CALSE_CH.C	99	
AD_CALSE_CHAN.C	19	
AD_RDDIFF_CH.C	19, 99	
AD_RDMA_CH.C	19, 99	
AD_RDSE_ALL.C	19, 99	
AD_SAMPLE.C	19	
ANAINCONFIG.C	19	
DNLOADCALIB.C	19	
THERMISTOR.C	19, 97	
UPLOADCALIB.C	20	
configuring to run on a Prototyping Board	14	
FAT file system		
FMT_DEVICE.C	73	
FAT file system module	160	
getting to know the RCM3750		
CONTROLLED.C	16	
DIO.C	15	
FLASHLED1.C	15	
IR_DEMO.C	16	
TOGGLESWITCH.C	15	
how to run TCP/IP sample programs	67, 68	
how to set IP address	68	
LCD/keypad module	131	
KEYBASIC.C	124	
KEYPADTOLED.C	131	
LCDKEYFUN.C	131	
reconfigure keypad	124	
SWITCHTOLED.C	131	
module integration	72	
INTEGRATION.C	73	
INTEGRATION_FAT_SETUP.C	73	
onboard serial flash		
SERIAL_FLASHLOG.C	17	
SFLASH_INSPECT.C	17	
PONG.C	11	
RabbitWeb module	160	
Secure Sockets Layer (SSL) module	160	
serial communication		
FLOWCONTROL.C	17	
PARITY.C	17	
SIMPLE3WIRE.C	18	
SIMPLE485MASTER.C	18	
SIMPLE485SLAVE.C	18	
SIMPLE5WIRE.C	18	
SWITCHCHAR.C	18	
TCP/IP		
BROWSELED.C	70	
DISPLAY_MAC.C	64	
MBOXDEMO.C	70	
PINGLED.C	70	
PINGME.C	70	
RabbitWeb		
BLINKLEDS.C	71	
DOORMONITOR.C	71	
HANGMAN_GAME.C	71	
LEDS_CHECKBOX.C	71	
SPRINKLER.C	71	
TEMPERATURE.C	71	
SMTP.C	71	
SSL		
SSL_BROWSELED.C	72	
SSL_MBOXDEMO.C	72	
serial communication	27	
RCM3700 Prototyping Board		
RS-232	101	
RS-485 network	102	
RS-485 termination and bias resistors	103	
RCM3720 Prototyping Board		
RS-232	117	
serial ports	27	
Ethernet port	28	
programming port	28	
software	5	
auxiliary I/O bus	26, 55	
I/O drivers	55	
libraries	37	
LCD/keypad module		
keypad	153	
LCD display	132	
PACKET.LIB	56	
RCM37xx.LIB	37	
RS232.LIB	56	
TCP/IP	56	
serial communication drivers	56	
TCP/IP drivers	56	

specifications	75
bus loading	80
digital I/O buffer sourcing and sinking limits	84
dimensions	76
electrical, mechanical, and environmental	78
exclusion zone	77
header footprint	79
headers	79
LCD/keypad module	
dimensions	121
electrical	122
header footprint	122
mechanical	122
relative pin 1 locations	122
temperature	122
Rabbit 3000 DC characteris- tics	83
Rabbit 3000 timing dia- gram	81
RCM3700 Prototyping Board	92
RCM3720 Prototyping Board	112
relative pin 1 locations	79
spectrum spreader	82
subsystems	
digital inputs and outputs	22
switching modes	30

T

TCP/IP primer	61
technical support	12
troubleshooting	
changing COM port	11
connections	11

U

USB/serial port converter	
Dynamic C settings	11
user block	
function calls	
readUserBlock	33
writeUserBlock	33

W

Wi-Fi	
Add-On Kit	5



SCHEMATICS

090-0210 RCM3750 Schematic

www.rabbit.com/documentation/schemat/090-0210.pdf

090-0180 RCM3600/RCM3700 Prototyping Board Schematic

www.rabbit.com/documentation/schemat/090-0180.pdf

090-0199 RCM3720 Prototyping Board Schematic

www.rabbit.com/documentation/schemat/090-0199.pdf

090-0156 LCD/Keypad Module Schematic

www.rabbit.com/documentation/schemat/090-0156.pdf

090-0128 Programming Cable Schematic

www.rabbit.com/documentation/schemat/090-0128.pdf

090-0185 Programming Cable with Adapter Board Schematic

www.rabbit.com/documentation/schemat/090-0185.pdf

You may use the URL information provided above to access the latest schematics directly.

