

PLUG

3	E2		
2	D		
1	E4		
SH.	REV.	LTR.	REVISIONS
E4	REVISED UCR1998-0148 WANG 98-04-15		
E3	ADD RAMP DIM'S ECN #U4 0293 3-1-94 RW		
E2	X-REMOVE ECR U3 0001 CVC 12/30/92 RW		
E1	REL. RED VERSIONS ECR U1 2167 CVC 1/24/92 RW		
E	REV. MATL CODE ECR # U90901 KBW 07-25-89 RW		
D	REV. & REDRAWN ECR U8 1858 GEP 11-21-88 RW		

DIMENSIONS SHOWN (METRIC) INCH
UNLESS OTHERWISE SPECIFIED
TOLERANCES: ANGULAR $\pm .2^\circ$

3 PLACE	$\pm .010$	---
2 PLACE	$\pm .014$	± 0.25
1 PLACE	---	± 0.35

DRAFT WHERE APPLICABLE MUST REMAIN WITHIN DIMENSIONS

DRWG. BY: GEP CHK'D. BY: RW
APP'D. BY: RAS SCALE: 2 : 1

TITLE: $.093/(2.36)$ HOUSING, PLUG AND RECEPTACLE, 2 CKT., $.264/(6.70)$ CTRS.

MOLEX INCORPORATED
LITLLE, ILL. 60532 U.S.A.

PART NO. SD-3191-2*
DRWG. NO. SD-3191-2*

FILE NAME: S31912X1 DGN
SHEET NO. 1 of 3
DATE: 11/21/88

THIS DRAWING CONTAINS INFORMATION THAT IS PROPRIETARY TO MOLEX INC. AND SHOULD NOT BE USED WITHOUT WRITTEN PERMISSION.

NO P.S. 1

PLUG	
PART NO.	ENG. NO.
19-09-2028	3191-2P
19-09-2029	3191-2P1
19-09-2027	3191-2P-201
19-09-2026	3191-2P1-201
19-09-2020	3191-2P IRD
19-09-2021	3191-2P IBU

RECEPTACLE	
PART NO.	ENG. NO.
19-09-1029	3191-2R1
19-09-1026	3191-2R1-201
19-09-1020	3191-2R IRD
19-09-1021	3191-2R IBU

LEGEND:

3191-2****-*

CIRCUIT SIZE

P = PLUG

R = RECEPTACLE

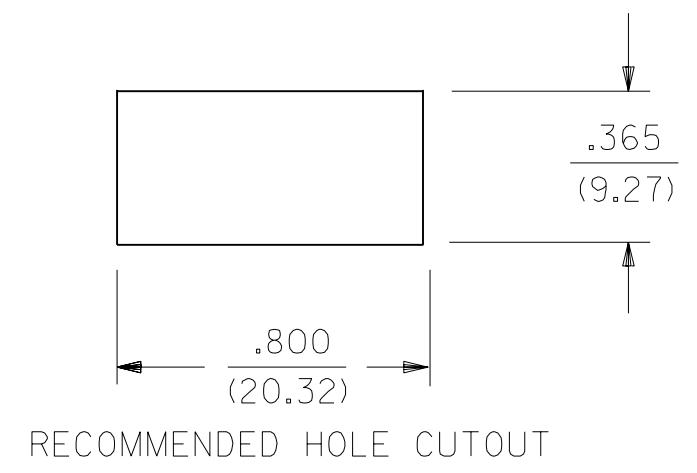
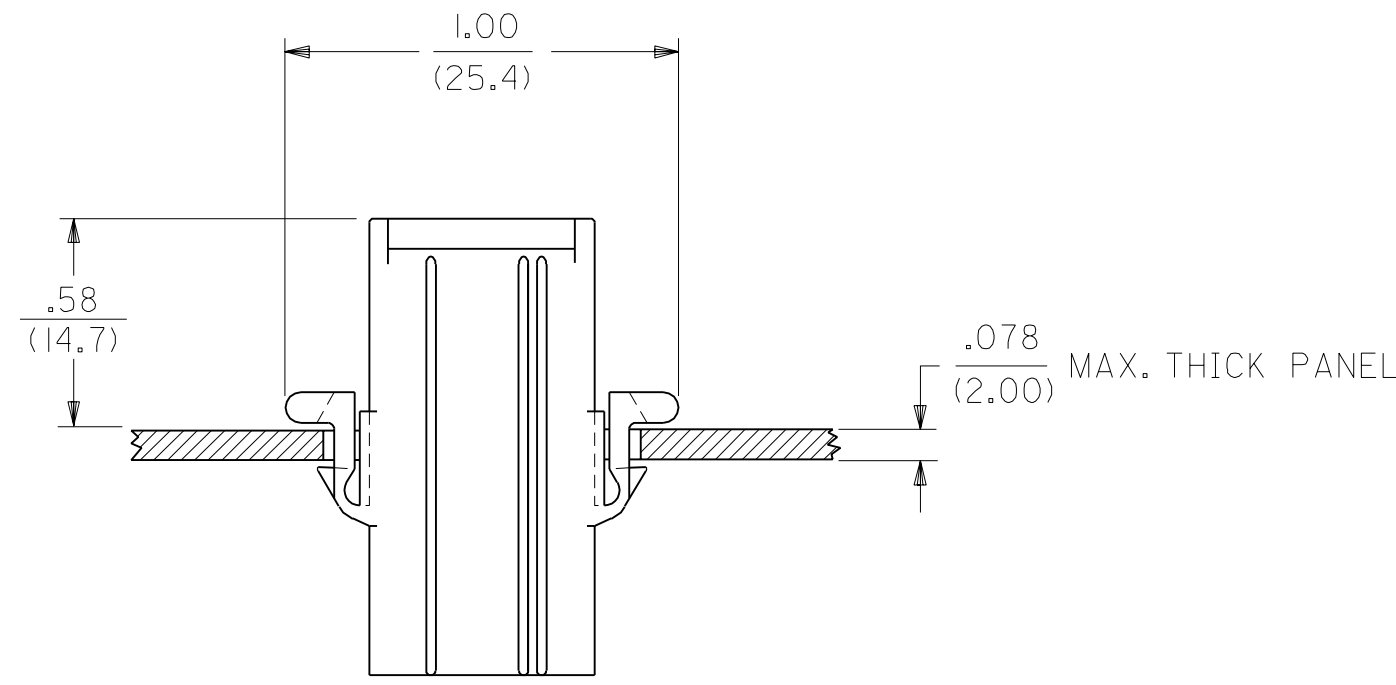
EARS: BLANK = WITH PREBENT EARS (PLUG ONLY)

I = WITHOUT EARS

COLOR: BLANK = NATURAL COLOR

AM=AMBER BK=BLACK BU=BLUE
 BN=BROWN GY=GRAY GN=GREEN
 OR=ORANGE RD=RED YW=YELLOW

MATERIAL: BLANK=NYLON TYPE 6/6, 94V-2
 201=NYLON TYPE 6/6, 94V-0



NOTES:

1. THESE HOUSINGS FOR USE WITH MOLEX .093/(2.36) DIAMETER SERIES TERMINALS.

DIMENSIONS SHOWN (METRIC) INCH		▽ = 0	▼ = 0	REVISE ONLY ON CAD SYSTEM
UNLESS OTHERWISE SPECIFIED TOLERANCES: ANGULAR ± 10°		TITLE		
		.093/(2.36) HOUSINGS PLUG AND RECEPTACLE 2 CKT., .264/(6.70) CTRS.		
		MOLEX INCORPORATED SHEET NO. DATE LISLE, ILL. 60532 U.S.A. 3 11/21/88		
		PART NO. DRWG. NO. SEE CHART SD-3191-2*		
		THIS DRAWING CONTAINS INFORMATION THAT IS PROPRIETARY TO MOLEX INC. AND SHOULD NOT BE USED WITHOUT WRITTEN PERMISSION.		
		CP C		

DRWG. BY	GEP	CHK'D. BY	RW
APP'D. BY	RAS	SCALE	---:---
LTR.	REVISIONS	LTR.	REVISIONS