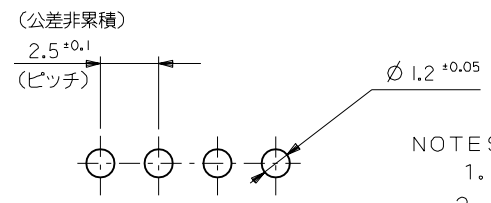
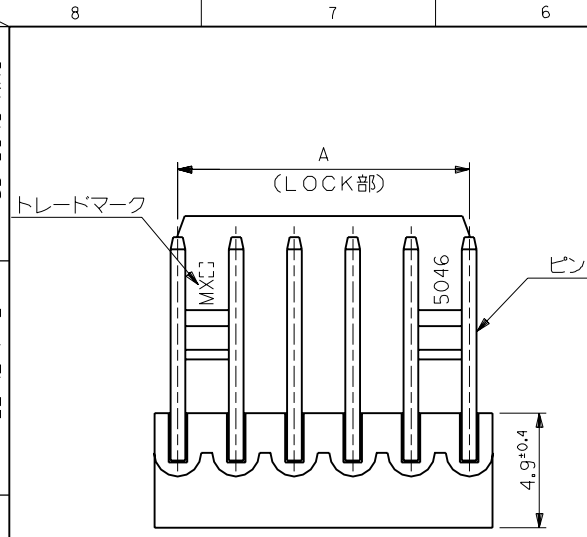


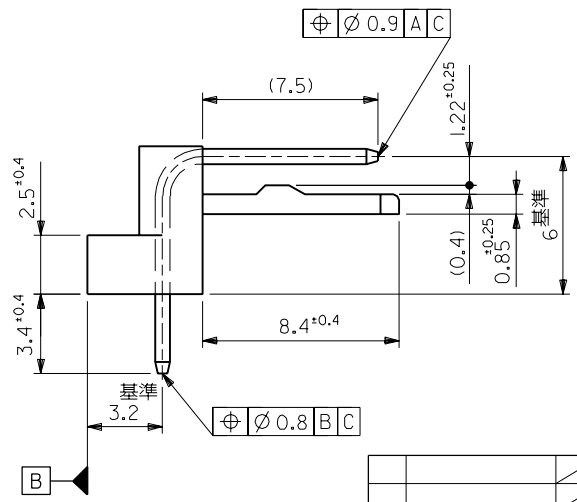
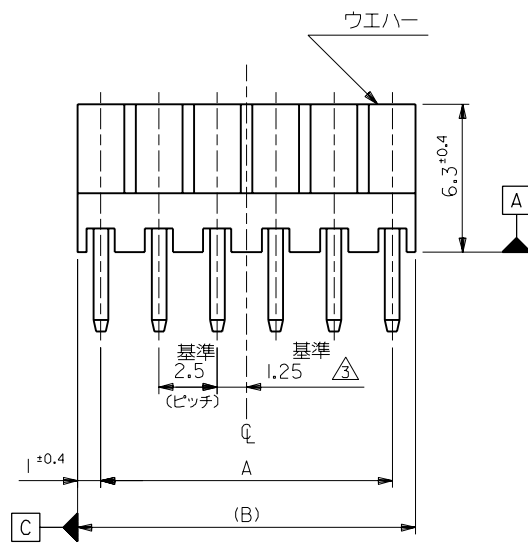
EDP NO. 22-12-1**2
 ENG. NO. SD-5046-NAG

MM DIMENSIONS IN METRIC DO NOT SCALE DRAWING



NOTES:
 1. そり長さは25.4に対して0.2MAX.
 2. 材料
 ウエハー: 66ナイロン, UL94V-0
 ピン: □0.635 黄銅
 ニッケル下地: 2µm MIN.
 金メッキ: 0.35µm MIN.
 △ 全極数が偶数の場合のみ適用

基板取付穴推奨寸法



| | | | | |
|------|------|------------|-----------|----|
| 49.5 | 47.5 | 22-12-1202 | 5046-20AG | 20 |
| 47 | 45 | -1192 | -19AG | 19 |
| 44.5 | 42.5 | -1182 | -18AG | 18 |
| 42 | 40 | -1172 | -17AG | 17 |
| 39.5 | 37.5 | -1162 | -16AG | 16 |
| 37 | 35 | -1152 | -15AG | 15 |
| 34.5 | 32.5 | -1142 | -14AG | 14 |
| 32 | 30 | -1132 | -13AG | 13 |
| 29.5 | 27.5 | -1122 | -12AG | 12 |
| 27 | 25 | -1112 | -11AG | 11 |
| 24.5 | 22.5 | -1102 | -10AG | 10 |
| 22 | 20 | -1092 | -09AG | 9 |
| 19.5 | 17.5 | -1082 | -08AG | 8 |
| 17 | 15 | -1072 | -07AG | 7 |
| 14.5 | 12.5 | -1062 | -06AG | 6 |
| 12 | 10 | -1052 | -05AG | 5 |
| 9.5 | 7.5 | -1042 | -04AG | 4 |
| 7 | 5 | -1032 | -03AG | 3 |
| 4.5 | 2.5 | 22-12-1022 | 5046-02AG | 2 |
| (B) | A | EDP NO. | ENG.NO. | 極数 |

| | |
|-------------------------|-------|
| 角度 ANGLE | ±3° |
| 30以上 OVER | +0.3 |
| 10以上 30未満 OVER UNDER | +0.25 |
| 10未満 UNDER | +0.2 |
| 一般公差 GENERAL TOLERANCES | |

| | | | |
|--------|----------------------|----------|---------|
| 記号 LTR | 変更内容 REVISION RECORD | DR. CHK. | 日付 DATE |
| F | 変更及び再作図(J0040)M | | 90/4/18 |

| | |
|-------------------|----------------------|
| 材料 MATERIAL | 図中参照 |
| 仕上げ FINISH | — |
| 適用電線範囲 WIRE RANGE | — |
| 被覆外径 INS. RANGE | — |
| DRAWN BY | 90/3/23 Y.MIZUNO |
| CHK'D BY | 92/10/21 M.FUKUSHIMA |
| APP'D BY | 92/10/21 M.ENOMOTO |
| 尺度 SCALE | 5-1 |

| | |
|--|-------------|
| molex MOLEX-JAPAN CO.,LTD. 日本モレックス株式会社 | |
| EDP. NO. | 22-12-1**2 |
| ENG. NO. | SD-5046-NAG |
| REV | F |
| TITLE 名称 KK2.5 RIGHT ANGLE WAFER ASS'Y | |

THIS DRAWING CONTAINS INFORMATION THAT IS PROPRIETARY TO MOLEX(JAPAN) AND SHOULD NOT BE USED WITHOUT WRITTEN PERMISSION
 本図面は日本モレックス(株)の所有する情報を含むもので 当社の許可なく複製を禁止する。

MXJ-8