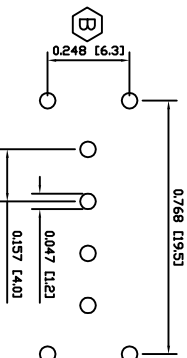
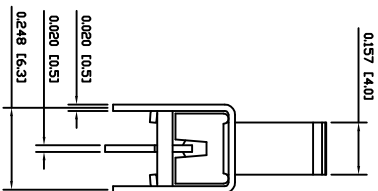
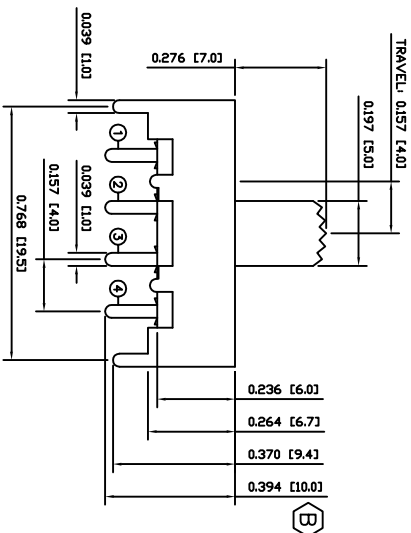
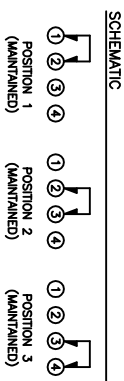


POSITION 1 POSITION 2 POSITION 3



SUGGESTED PCB LAYOUT



SCHEMATIC

**FUNCTION:**  
1P1T ON-ON-ON

**RATINGS:**  
0.5A 50VDC

**CONTACT RESISTANCE:**  
Initial: 30mΩ Max.

**INSULATION RESISTANCE:**  
50MΩ Min. at 500VDC

**DIELECTRIC STRENGTH:**  
500VAC For 1 Minute

**ELECTRICAL LIFE:**  
10,000 Cycles

**TEMPERATURE:**  
Operating: -40°C to 85°C  
Storage: -40°C to 105°C

**APPROVALS:**  
**ROHS LEAD FREE**  
COMPLIANT COMPATIBLE

SPECIFICATIONS

**MATERIALS**

**BASE:**  
Phenolic Board

**COVER:**  
Nickel Plated Steel

**ACTUATOR:**  
Polyoxymethylene (POM)

**CONTACT:**  
Gold (0.3µm) over  
Nickel (2µm) Plated  
Steel Ball

**TERMINALS:**  
Gold (0.1µm) over  
Nickel (2µm) Plated  
Base

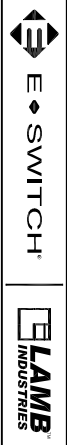
**COLORS:**  
**ACTUATOR:**  
Black

THE INFORMATION CONTAINED IN THIS DOCUMENT IS PROPRIETARY TO E-SWITCH AND IS NOT TO BE COPIED OR TRANSMITTED IN ANY FORM OR BY ANY MEANS, ELECTRONIC OR MECHANICAL, INCLUDING PHOTOCOPYING, RECORDING, OR BY ANY INFORMATION STORAGE AND RETRIEVAL SYSTEM.

REV.	DESCRIPTION	DATE	BY	CHKD.
A	INITIAL RELEASE	11/18/11	BSL	
B		09/08/09	CSB	

INCHES	MILLIMETERS
±0.008	[±0.2] / ±1

30298	11/18/11	BSL	
POB0103	09/08/09	CSB	
PCB			



LSS-130511A7-G

DATE: JULY 22, 2009

REVISION B