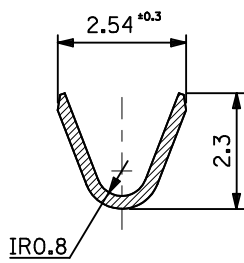
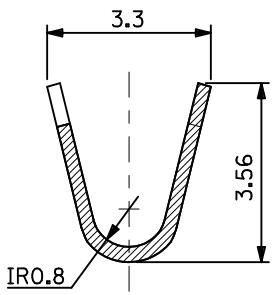


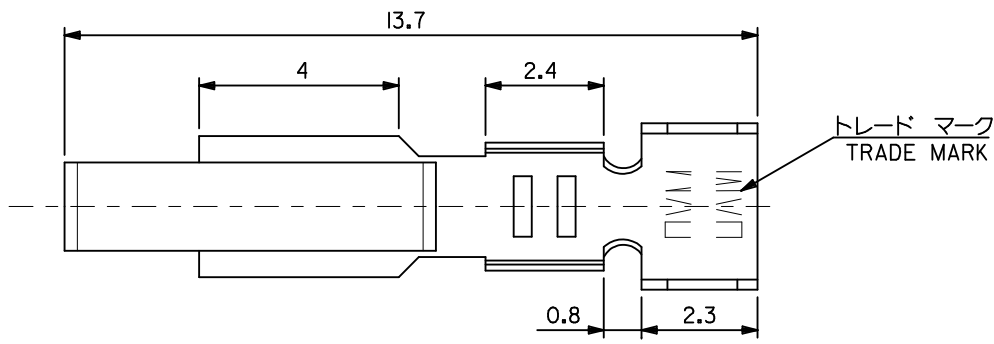
10 9 8 7 6 5 4 3 2 1



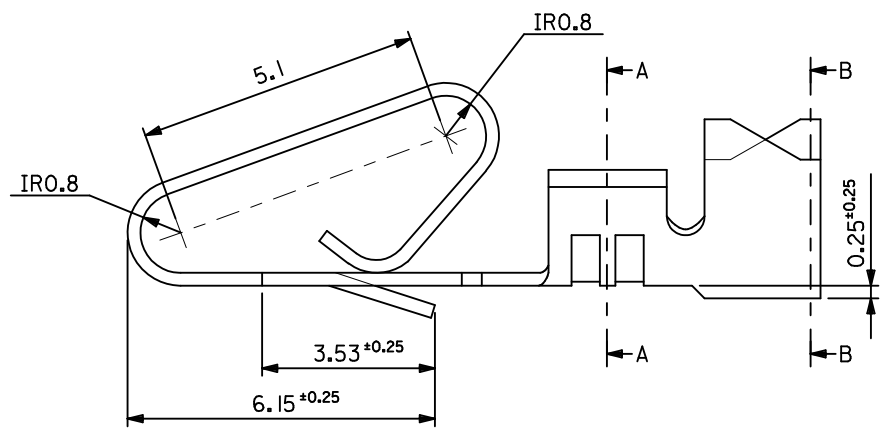
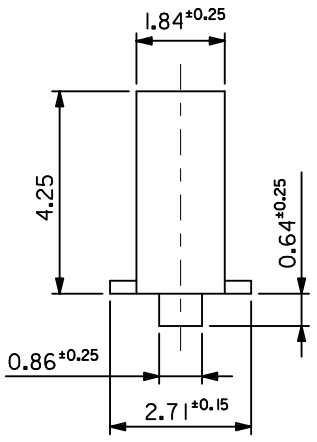
SECT.A-A



SECT.B-B



トレード マーク
TRADE MARK



注記 NOTES :
1. 一般公差 : ±0.4
GENERAL TOLERANCES : ±0.4

OVERALL TIN 0.88μmin	39000342	2478TL	LOOSE
OVERAL COPPER 0.54μmin	39000286	2478T	CHAIN
ニッケル下地 2 μmMIN.	39-00-0344	2478GL	バラ状 LOOSE
金 0.35 μmMIN.	39-00-0343	2478G	チェーン状 CHAIN
GOLD 0.35 μmMIN. OVER			
NICKEL 2 μmMIN.			
メッキ PLATING	EDP NO.	ENG.NO.	形状 FORM

MATERIAL
BRASS t = 0.254

ENTER DESCRIPTION	2010/06/23
EC NO: I2010-0695	1996/01/30
DRWN: SNS01	2010/07/28
CHKD: HIRAMOT	
APPR: KPRASAD	
REV	DESCRIPTION

QUALITY SYMBOLS	GENERAL TOLERANCES (UNLESS SPECIFIED)
▽=0	mm INCH
∇=0	4 PLACES ± 0.2 ± ---
	3 PLACES ± 0.25 ± ---
	2 PLACES ± 0.3 ± ---
	1 PLACE ± 0.01 ± ---
	ANGULAR ± 3 °
	DRAFT WHERE APPLICABLE MUST REMAIN WITHIN DIMENSIONS

DIMENSION STYLE		SCALE	DESIGN UNITS	THIRD ANGLE PROJECTION
MM ONLY		10:1	METRIC	☉ □
DRAWN BY	DATE	TITLE		
HHASEGAW	1993/04/23	STD KK CRIMP REC		
CHECKED BY	DATE			
HIRAMOT	1996/01/30			
APPROVED BY	DATE			
MFUKUSHI	1996/01/30			
MATERIAL NO.	DOCUMENT NO.			
SEE CHART				
SIZE	THIS DRAWING CONTAINS INFORMATION THAT IS PROPRIETARY TO MOLEX INCORPORATED AND SHOULD NOT BE USED WITHOUT WRITTEN PERMISSION			
A3				

MOLEX INCORPORATED		SHEET NO.
SD-2478*		1 OF 1

9 8 7 6 5 4 3 2 1