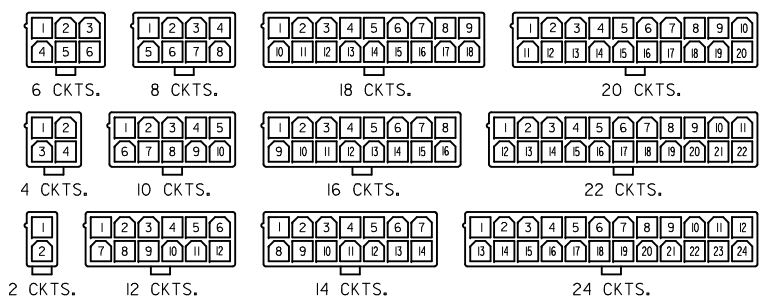
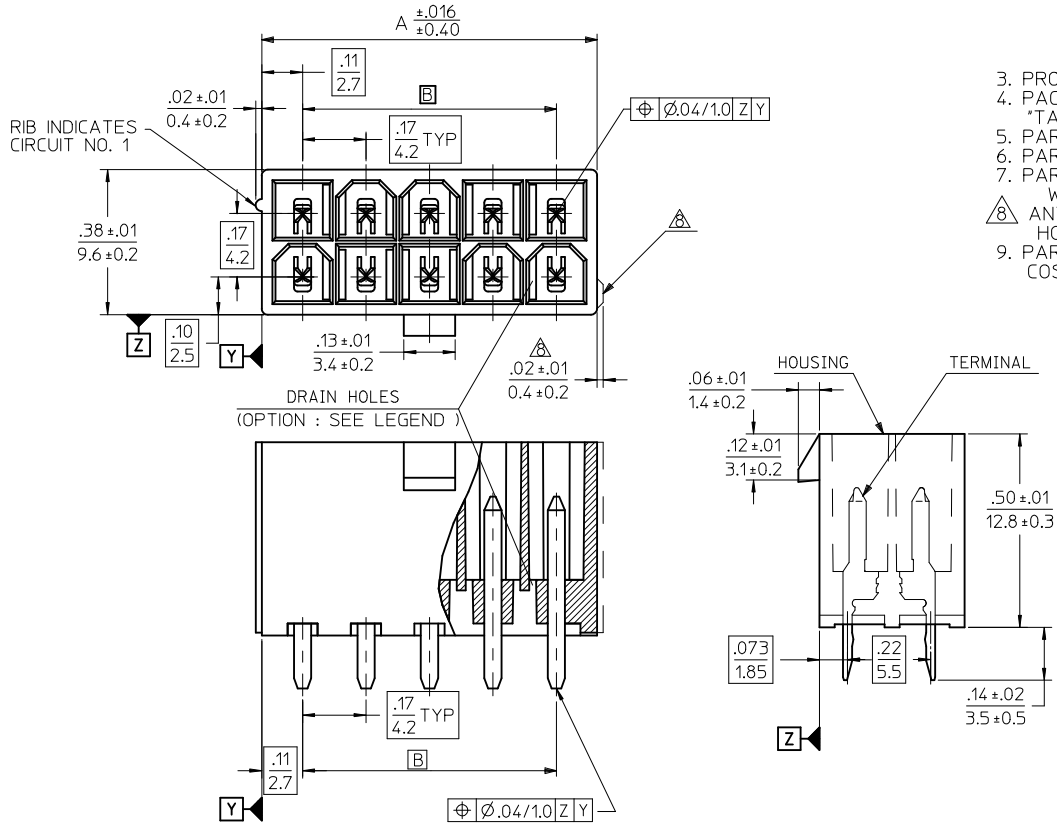


CIRCUIT SIZE	DIM. "A"	DIM. "B"
2	.21 (5.4)	—
4	.38 (9.6)	.17 (4.2)
6	.54 (13.8)	.33 (8.4)
8	.71 (18.0)	.50 (12.6)
10	.87 (22.2)	.66 (16.8)
12	1.04 (26.4)	.83 (21.0)
14	1.20 (30.6)	.99 (25.2)
16	1.37 (34.8)	1.16 (29.4)
18	1.54 (39.0)	1.32 (33.6)
20	1.70 (43.2)	1.49 (37.8)
22	1.87 (47.4)	1.65 (42.0)
24	2.03 (51.6)	1.82 (46.2)



CIRCUIT SIZE LAYOUT



LEGEND

5566 - N \* \* \* \* - - - \*

BASE NUMBER

CIRCUIT SIZE

ASSY TYPE

A : WITHOUT DRAIN HOLES

B : WITH DRAIN HOLES

TERMINAL MATERIAL  
SEE NOTE 1

TERMINAL PLATING  
SEE NOTE 2

HOUSING MATERIAL  
SEE NOTE 1

COLOR OR PACKAGING

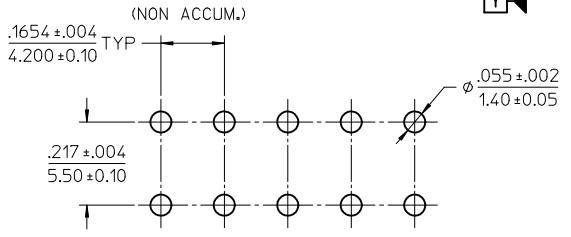
BL : BLACK RE : RED GR : GRAY

BU : BLUE YE : YELLOW GRE : GREEN

V : VIOLET OR : ORANGE

TA : TRAY PACKAGING SEE NOTE 4

TR : TRAY PACKAGING SEE NOTE 4



RECOMMENDED HOLE LAYOUT FOR  
.070(1.78) MAX. THICK P.C. BOARD  
VIEWED FROM COMPONENT SIDE

ADD P/N'S EC NO: UCP2012-3941 DRAWN: NGUYEN CHKD: JEBEL APPR: FSMITH	DESCRIPTION 2012/06/11 2012/06/11 2012/06/25	QUALITY SYMBOLS ▽=0 ▽=0 ▽=0	GENERAL TOLERANCES (UNLESS SPECIFIED)		DIMENSION STYLE IN/MM		SCALE 4:1	DESIGN UNITS METRIC	THIRD ANGLE PROJECTION		
			4 PLACES ± --- ± ---	3 PLACES ± --- ± .005	2 PLACES ± .13 ± .010	1 PLACE ± .25 ± ---	DRAWN BY H. HIRAMOTO	DATE '89/04/03	CHECKED BY M. FUKUSHIMA	DATE '94/04/20	APPROVED BY FSMITH
DRAFT WHERE APPLICABLE MUST REMAIN WITHIN DIMENSIONS			ANGULAR ± 3 °		SEE TABLE		MOLEX MOLEX INCORPORATED		SHEET NO. 1 OF 5		
L6			MATERIAL NO. SD-5566-002		DOCUMENT NO.		THIS DRAWING CONTAINS INFORMATION THAT IS PROPRIETARY TO MOLEX INCORPORATED AND SHOULD NOT BE USED WITHOUT WRITTEN PERMISSION				

- NOTES:
- MATERIALS:  
HOUSING:  
"BLANK"=NYLON 6/6, UL94V-2, COLOR: NATURAL  
"210" =NYLON 6/6, UL94V-0, COLOR: NATURAL  
"400"=NYLON 6/6, UL94V-0, COLOR: BLACK  
TERMINALS:  
"BLANK" = BRASS  
"PB" = PHOSPHOR BRONZE  
2. TERMINAL PLATING:  
"BLANK" = BRIGHT TIN 0.00035/(0.00090) MIN.  
OVER COPPER .000020/(0.00050) MIN. (BRASS)  
TIN .000035/(0.00090) MIN. REFLOW TREATMENT  
OR BRIGHT TIN .000035/(0.00090) MIN. (PHOSPHOR BRONZE)  
"S"=.000100/(0.00254) MIN. BRIGHT TIN OVER  
.000050/(0.00127) MIN NICKEL  
"GS2"=.000015/(0.00038) MIN. SELECT GOLD AND  
.000100/(0.00254) MIN. SELECT MATTE TIN  
OVER .000050/(0.00127) MIN. NICKEL OVERALL  
"GS"=.000030/(0.00076) MIN. SELECT GOLD AND  
.000100/(0.00254) MIN. SELECT MATTE TIN  
OVER .000050/(0.00127) MIN. NICKEL OVERALL  
3. PRODUCT SPECIFICATION: PS-5556-001  
4. PACKAGING: "BLANK"= BULK PACKED,  
"TA"=TRAY PACK PER PK-5566-001, "TR"=TRAY PACK PER PK-5566  
5. PART MATES WITH MINI-FIT JR. RECEPTACLE NO. 5557.  
6. PART IS NOT DESIGNED FOR CURRENT SHARING.  
7. PARTS ARE NOT DESIGNED TO BE MATED OR UN-MATED  
WHILE CIRCUITS ARE LIVE.  
8. ANTI-SHINGLING RIB MAY OR MAY NOT APPEAR ON  
HOUSINGS.  
9. PART CONFORMS TO CLASS "B" REQUIREMENTS OF  
COSMETIC SPECIFICATION PS-45499-002.

13	12	11	10	9	8	7	6	5	4	3	2	1
39-29-5247	5566-24APB-210	39-30-9245	5566-24AGS2-210	39-29-6248	5566-24AGS-210	39-30-6242	5566-24AS-210	39-28-8240	5566-24A-210			24
▲ -5227	▲ -22APB-210	▲ -9225	▲ -22AGS2-210	▲ -6228	▲ -22AGS-210	▲ -6222	▲ -22AS-210	▲ -8220	▲ -22A-210			22
-5207	-20APB-210	-9205	-20AGS2-210	-6208	-20AGS-210	-6202	-20AS-210	-8200	-20A-210			20
-5187	-18APB-210	-9185	-18AGS2-210	-6188	-18AGS-210	-6182	-18AS-210	-8180	-18A-210			18
-5167	-16APB-210	-9165	-16AGS2-210	-6168	-16AGS-210	-6162	-16AS-210	-8160	-16A-210			16
-5147	-14APB-210	-9145	-14AGS2-210	-6148	-14AGS-210	-6142	-14AS-210	-8140	-14A-210			14
-5127	-12APB-210	-9125	-12AGS2-210	-6128	-12AGS-210	-6122	-12AS-210	-8120	-12A-210			12
-5107	-10APB-210	-9105	-10AGS2-210	-6108	-10AGS-210	-6102	-10AS-210	-8100	-10A-210			10
-5087	-08APB-210	-9085	-08AGS2-210	-6088	-08AGS-210	-6082	-08AS-210	-8080	-08A-210			8
-5067	-06APB-210	-9065	-06AGS2-210	-6068	-06AGS-210	-6062	-06AS-210	-8060	-06A-210			6
▼ -5047	▼ -04APB-210	▼ -9045	▼ -04AGS2-210	▼ -6048	▼ -04AGS-210	▼ -6042	▼ -04AS-210	▼ -8040	▼ -04A-210			4
39-29-5027	5566-02APB-210	39-30-9025	5566-02AGS2-210	39-29-6028	5566-02AGS-210	39-30-6022	5566-02AS-210	39-28-8020	5566-02A-210			2
EDP NO.	ENG. NO.	EDP NO.	ENG. NO.	EDP NO.	ENG. NO.	EDP NO.	ENG. NO.	EDP NO.	ENG. NO.			CKT. SIZE
5566-NAPB-210		5566-NAGS2-210		5566-NAGS-210		5566-NAS-210		5566-NA-210				
39-29-5246	5566-24APB	39-30-9244	5566-24AGS2	39-29-0243	5566-24AGS	39-30-6241	5566-24AS	39-28-1243	5566-24A			24
▲ -5226	▲ -22APB	▲ -9224	▲ -22AGS2	▲ -0223	▲ -22AGS	▲ -6221	▲ -22AS	▲ -1223	▲ -22A			22
-5206	-20APB	-9204	-20AGS2	-0203	-20AGS	-6201	-20AS	-1203	-20A			20
-5186	-18APB	-9184	-18AGS2	-0183	-18AGS	-6181	-18AS	-1183	-18A			18
-5166	-16APB	-9164	-16AGS2	-0163	-16AGS	-6161	-16AS	-1163	-16A			16
-5146	-14APB	-9144	-14AGS2	-0143	-14AGS	-6141	-14AS	-1143	-14A			14
-5126	-12APB	-9124	-12AGS2	-0123	-12AGS	-6121	-12AS	-1123	-12A			12
-5106	-10APB	-9104	-10AGS2	-0103	-10AGS	-6101	-10AS	-1103	-10A			10
-5086	-08APB	-9084	-08AGS2	-0083	-08AGS	-6081	-08AS	-1083	-08A			8
-5066	-06APB	-9064	-06AGS2	-0063	-06AGS	-6061	-06AS	-1063	-06A			6
▼ -5046	▼ -04APB	▼ -9044	▼ -04AGS2	▼ -0043	▼ -04AGS	▼ -6041	▼ -04AS	▼ -1043	▼ -04A			4
39-29-5026	5566-02APB	39-30-9024	5566-02AGS2	39-29-0023	5566-02AGS	39-30-6021	5566-02AS	39-28-1023	5566-02A			2
EDP NO.	ENG. NO.	EDP NO.	ENG. NO.	EDP NO.	ENG. NO.	EDP NO.	ENG. NO.	EDP NO.	ENG. NO.			CKT. SIZE
5566-NAPB		5566-NAGS2		5566-NAGS		5566-NAS		5566-NA				

PARTS WITH OUT DRAIN HOLES

<b>SEE SHEET 1</b> EC NO: UCP2012-3941 2012/06/11 DRAWING: NGUYEN 2012/06/11 CHKD: IBELL 2012/06/25 APPR: FSMITH	QUALITY SYMBOLS ▽ = 0 ▽ = 0 ▽ = 0	GENERAL TOLERANCES (UNLESS SPECIFIED)		DIMENSION STYLE <b>IN/MM</b>		SCALE <b>1:1</b>	DESIGN UNITS <b>METRIC</b>	THIRD ANGLE PROJECTION		
		4 PLACES ± .005 3 PLACES ± .005 2 PLACES ± .010 1 PLACE ± .025		mm      INCH ± .005    ± .005 ± .010    ± .010 ± .025    ± .010		DRAWN BY H. HIRAMOTO	DATE '89/04/03	TITLE <b>MINI FIT JR VERTICAL HEADER ASSEMBLIES WITHOUT PEGS</b>		
		ANGULAR ± 3°		DRAFT WHERE APPLICABLE MUST REMAIN WITHIN DIMENSIONS		CHECKED BY M. FUKUSHIMA	DATE '94/04/20	APPROVED BY FSMITH		
		MATERIAL NO. <b>SEE TABLE</b>		DOCUMENT NO. <b>SD-5566-002</b>		SHEET NO. <b>2 OF 5</b>		<b>MOLEX INCORPORATED</b>		
THIS DRAWING CONTAINS INFORMATION THAT IS PROPRIETARY TO MOLEX INCORPORATED AND SHOULD NOT BE USED WITHOUT WRITTEN PERMISSION										

	13	12	11	10	9	8	7	6	5	4	3	2	1
	39-30-9247	5566-24BGS2-2 I0	39-31-0248	5566-24BGS-2 I0	39-31-0242	5566-24BS-2 I0	39-31-0240	5566-24B-2 I0	39-30-6244	5566-24APBS-2 I0	24		
	▲ -9227	▲ -22BGS2-2 I0	▲ -0228	▲ -22BGS-2 I0	▲ -0222	▲ -22BS-2 I0	▲ -0220	▲ -22B-2 I0	▲ -6224	▲ -22APBS-2 I0	22		
	-9207	-20BGS2-2 I0	-0208	-20BGS-2 I0	-0202	-20BS-2 I0	-0200	-20B-2 I0	-6204	-20APBS-2 I0	20		
	-9187	-18BGS2-2 I0	-0188	-18BGS-2 I0	-0182	-18BS-2 I0	-0180	-18B-2 I0	-6184	-18APBS-2 I0	18		
	-9167	-16BGS2-2 I0	-0168	-16BGS-2 I0	-0162	-16BS-2 I0	-0160	-16B-2 I0	-6164	-16APBS-2 I0	16		
	-9147	-14BGS2-2 I0	-0148	-14BGS-2 I0	-0142	-14BS-2 I0	-0140	-14B-2 I0	-6144	-14APBS-2 I0	14		
	-9127	-12BGS2-2 I0	-0128	-12BGS-2 I0	-0122	-12BS-2 I0	-0120	-12B-2 I0	-6124	-12APBS-2 I0	12		
	-9107	-10BGS2-2 I0	-0108	-10BGS-2 I0	-0102	-10BS-2 I0	-0100	-10B-2 I0	-6104	-10APBS-2 I0	10		
	-9087	-08BGS2-2 I0	-0088	-08BGS-2 I0	-0082	-08BS-2 I0	-0080	-08B-2 I0	-6084	-08APBS-2 I0	8		
	-9067	-06BGS2-2 I0	-0068	-06BGS-2 I0	-0062	-06BS-2 I0	-0060	-06B-2 I0	-6064	-06APBS-2 I0	6		
	▼ -9047	▼ -04BGS2-2 I0	▼ -0048	▼ -04BGS-2 I0	▼ -0042	▼ -04BS-2 I0	▼ -0040	▼ -04B-2 I0	▼ -6044	▼ -04APBS-2 I0	4		
	39-30-9027	5566-02BGS2-2 I0	39-31-0028	5566-02BGS-2 I0	39-31-0022	5566-02BS-2 I0	39-31-0020	5566-02B-2 I0	39-30-6024	5566-02APBS-2 I0	2		

	EDP NO.	ENG. NO.	EDP NO.	ENG. NO.	EDP NO.	ENG. NO.	EDP NO.	ENG. NO.	EDP NO.	ENG. NO.	EDP NO.	ENG. NO.	CKT. SIZE
	5566-NBGS2-2 I0		5566-NBGS-2 I0		5566-NBS-2 I0		5566-NB-2 I0		5566-NAPBS-2 I0				
	39-30-9246	5566-24BGS2	39-31-0247	5566-24BGS	39-31-0241	5566-24BS	39-29-3246	5566-24B	39-30-6243	5566-24APBS	24		
	▲ -9226	▲ -22BGS2	▲ -0227	▲ -22BGS	▲ -0221	▲ -22BS	▲ -3226	▲ -22B	▲ -6223	▲ -22APBS	22		
	-9206	-20BGS2	-0207	-20BGS	-0201	-20BS	-3206	-20B	-6203	-20APBS	20		
	-9186	-18BGS2	-0187	-18BGS	-0181	-18BS	-3186	-18B	-6183	-18APBS	18		
	-9166	-16BGS2		-16BGS	-0161	-16BS	-3166	-16B	-6163	-16APBS	16		
	-9146	-14BGS2	-0147	-14BGS	-0141	-14BS	-3146	-14B	-6143	-14APBS	14		
	-9126	-12BGS2	-0127	-12BGS	-0121	-12BS	-3126	-12B	-6123	-12APBS	12		
	-9106	-10BGS2	-0107	-10BGS	-0101	-10BS	-3106	-10B	-6103	-10APBS	10		
	-9086	-08BGS2	-0087	-08BGS	-0081	-08BS	-3086	-08B	-6083	-08APBS	8		
	-9066	-06BGS2	-0067	-06BGS	-0061	-06BS	-3066	-06B	-6063	-06APBS	6		
	▼ -9046	▼ -04BGS2	▼ -0047	▼ -04BGS	▼ -0041	▼ -04BS	▼ -3046	▼ -04B	▼ -6043	▼ -04APBS	4		
	39-30-9026	5566-02BGS2	39-31-0027	5566-02BGS	39-31-0021	5566-02BS	39-29-3026	5566-02B	39-30-6023	5566-02APBS	2		
	EDP NO.	ENG. NO.	EDP NO.	ENG. NO.	EDP NO.	ENG. NO.	EDP NO.	ENG. NO.	EDP NO.	ENG. NO.			CKT. SIZE
	5566-NBGS2		5566-NBGS		5566-NBS		5566-NB		5566-NAPBS				

	39-31-0245	5566-24BPBS	39-31-0243	5566-24BPB	39-31-0246	5566-24BPBS-2 I0	39-31-0244	5566-24BPB-2 I0	24
	▲ -0225	▲ -22BPBS	▲ -0223	▲ -22BPB	▲ -0226	▲ -22BPBS-2 I0	▲ -0224	▲ -22BPB-2 I0	22
	-0205	-20BPBS	-0203	-20BPB	-0206	-20BPBS-2 I0	-0204	-20BPB-2 I0	20
	-0185	-18BPBS	-0183	-18BPB	-0186	-18BPBS-2 I0	-0184	-18BPB-2 I0	18
	-0165	-16BPBS	-0163	-16BPB	-0166	-16BPBS-2 I0	-0164	-16BPB-2 I0	16
	-0145	-14BPBS	-0143	-14BPB	-0146	-14BPBS-2 I0	-0144	-14BPB-2 I0	14
	-0125	-12BPBS	-0123	-12BPB	-0126	-12BPBS-2 I0	-0124	-12BPB-2 I0	12
	-0105	-10BPBS	-0103	-10BPB	-0106	-10BPBS-2 I0	-0104	-10BPB-2 I0	10
	-0085	-08BPBS	-0083	-08BPB	-0086	-08BPBS-2 I0	-0084	-08BPB-2 I0	8
	-0065	-06BPBS	-0063	-06BPB	-0066	-06BPBS-2 I0	-0064	-06BPB-2 I0	6
	▼ -0045	▼ -04BPBS	▼ -0043	▼ -04BPB	▼ -0046	▼ -04BPBS-2 I0	▼ -0044	▼ -04BPB-2 I0	4
	39-31-0025	5566-02BPBS	39-31-0023	5566-02BPB	39-31-0026	5566-02BPBS-2 I0	39-31-0024	5566-02BPB-2 I0	2
	EDP NO.	ENG. NO.	EDP NO.	ENG. NO.	EDP NO.	ENG. NO.	EDP NO.	ENG. NO.	CKT. SIZE
	5566-NBPBS		5566-NBPB		5566-NBPBS-2 I0		5566-NBPB-2 I0		

PARTS WITH DRAIN HOLES

SEE SHEET 1 EC NO: UCP2012-3941 DRW: NGUYEN CHKD: J.BELL APPR: FSM/TH 2012/06/11 2012/06/11 2012/06/25	QUALITY SYMBOLS	GENERAL TOLERANCES (UNLESS SPECIFIED)	DIMENSION STYLE	SCALE	DESIGN UNITS	THIRD ANGLE PROJECTION
	▽=0	mm INCH	IN/MM	1:1	METRIC	
	▽=0	4 PLACES ± --- ± ---	DRAWN BY DATE	TITLE		
	▽=0	3 PLACES ± --- ± .005	H.HIRAMOTO '89/04/03	MINI FIT JR VERTICAL HEADER ASSEMBLIES WITHOUT PEGS		
	2 PLACES ± .13 ± .010	CHECKED BY DATE	MOLEX MOLEX INCORPORATED			
	1 PLACE ± .25 ± ---	M.FUKUSHIMA '94/04/20	SD-5566-002			
	ANGULAR ± 3 °	APPROVED BY DATE	SHEET NO. 3 OF 5			
		FSM/TH 2012/05/04	THIS DRAWING CONTAINS INFORMATION THAT IS PROPRIETARY TO MOLEX INCORPORATED AND SHOULD NOT BE USED WITHOUT WRITTEN PERMISSION			
		MATERIAL NO.	DOCUMENT NO.			
		SEE TABLE				
		DRAFT WHERE APPLICABLE MUST REMAIN WITHIN DIMENSIONS				

COLORED PART NUMBERS

EDP. NO.	ENG. NO.	EDP. NO.	ENG. NO.	EDP. NO.	ENG. NO.	EDP. NO.	ENG. NO.	EDP. NO.	ENG. NO.	CKT. SIZE
										24
										22
										20
46999-0085	5566-18AS-RE									18
										16
										14
										12
								46999-0087	5566-10AS-V	10
										8
										6
										4
										2
										24
								39-35-0248	5566-24A-400	24
								39-35-0228	▲ -22A-400	22
								39-35-0208	-20A-400	20
								39-35-0188	-18A-400	18
						39-33-3169	5566-16A-210-BU	39-35-0168	-16A-400	16
								39-35-0148	-14A-400	14
								39-35-0128	-12A-400	12
				39-33-4100	5566-10A-210-RE	39-33-3109	5566-10A-210-BU	39-33-0108	-10A-400	10
46999-0091	5566-08AS-GRE							39-35-0088	-08A-400	8
								39-35-0068	-06A-400	6
				39-33-4040	5566-04A-210-RE	39-33-3049	5566-04A-210-BU	39-35-0048	▼ -04A-400	4
50-36-2485	5566-02AS-GRE	39-34-5023	5566-02A-210-YE	39-33-4020	5566-02A-210-RE	39-33-3029	5566-02A-210-BU	39-35-0028	5566-02A-400	2
										24
										22
										20
										18
										16
										14
										12
										10
										8
										6
										4
										2
										24
										22
										20
										18
										16
39-33-3145	5566-14A-GR							39-33-3143	5566-14A-BL	14
										12
										10
										8
										6
										4
										2
										24
										22
										20
										18
										16
										14
										12
										10
										8
										6
										4
										2
										24
										22
										20
										18
										16
										14
										12
										10
										8
										6
										4
										2
										24
										22
										20
										18
										16
										14
										12
										10
										8
										6
										4
										2
										24
										22
										20
										18
										16
										14
										12
										10
										8
										6
										4
										2
										24
										22
										20
										18
										16
										14
										12
										10
										8
										6
										4
										2
										24
										22
										20
										18
										16
										14
										12
										10
										8
										6
										4
										2
										24
										22
										20
										18
										16
										14
										12
										10
										8
										6
										4
										2
										24
										22
										20
										18
										16
										14
										12
										10
										8
										6
										4
										2
										24
										22
										20
										18
										16
										14
										12
										10
										8
										6
										4
										2
										24
										22
										20
										18
										16
										14
										12
										10
										8
										6
										4
										2
										24
										22
										20
										18
										16
										14
										12
										10
										8

13 12 11 10 9 8 7 6 5 4 3 2 1

J  
I  
H  
G  
F  
E  
D  
C  
B  
A

J  
I  
H  
G  
F  
E  
D  
C  
B  
A

TRAY PACKED PART NUMBERS

PARTS WITHOUT DRAIN HOLES					39-53-9249	5566-24A-210-TA	39-53-9248	5566-24A-TA	24	
						↑ -22A-210-TA	↑ -9228	↑ -22A-TA	22	
						-20A-210-TA	-9208	-20A-TA	20	
			39-34-1180	5566-18A-210-TR		-18A-210-TA	-9188	-18A-TA	18	
						-16A-210-TA	-9168	-16A-TA	16	
						-14A-210-TA	-9148	-14A-TA	14	
						-12A-210-TA	-9128	-12A-TA	12	
						-10A-210-TA	-9108	-10A-TA	10	
						-08A-210-TA	-9088	-08A-TA	8	
						-06A-210-TA	-9068	-06A-TA	6	
					↓ -04A-210-TA	↓ -9048	↓ -04A-TA	4		
					5566-02A-210-TA	39-53-9028	5566-02A-TA		2	
EDP NO.	ENG. NO.	EDP NO.	ENG. NO.	EDP NO.	ENG. NO.	EDP NO.	ENG. NO.	EDP NO.	ENG. NO.	CKT. SIZE
5566-NA-210-TR				5566-NA-210-TA		5566-NA-TA				

SEE SHEET 1 EC NO: UCP2012-3941 DRAWN: NGUYEN 2012/06/11 CHKD: BELL 2012/06/11 APPR: FSMITH 2012/06/25	QUALITY SYMBOLS ▽=0 ▽=0 ▽=0	GENERAL TOLERANCES (UNLESS SPECIFIED)		DIMENSION STYLE		SCALE	DESIGN UNITS	THIRD ANGLE PROJECTION		
				IN/MM		1:1	METRIC			
		4 PLACES ± --- ± ---	DRAWN BY DATE		TITLE		MOLEX INCORPORATED SD-5566-002			
		3 PLACES ± --- ± .005	H. HIRAMOTO '89/04/03		MINI FIT JR VERTICAL HEADER ASSEMBLIES WITHOUT PEGS					
2 PLACES ± .13 ± .010	CHECKED BY DATE									
1 PLACE ± .25 ± ---	M. FUKUSHIMA '94/04/20		APPROVED BY DATE		MATERIAL NO.		SHEET NO.			
	ANGULAR ± 3 °		FSMITH 2012/05/04		DOCUMENT NO.		5 OF 5			
DRAFT WHERE APPLICABLE MUST REMAIN WITHIN DIMENSIONS		SEE TABLE		THIS DRAWING CONTAINS INFORMATION THAT IS PROPRIETARY TO MOLEX INCORPORATED AND SHOULD NOT BE USED WITHOUT WRITTEN PERMISSION						