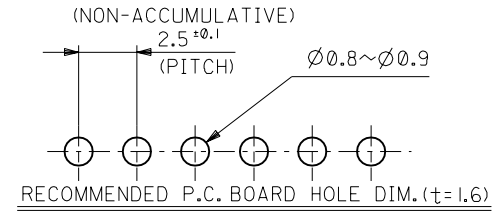
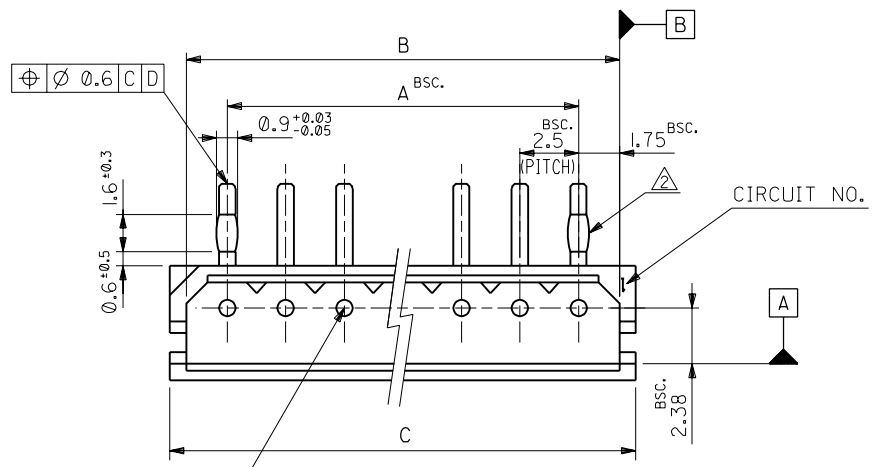
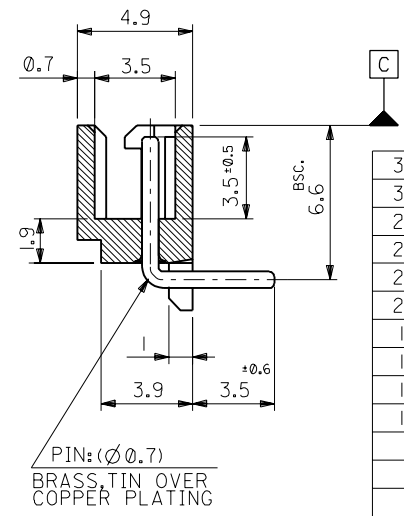
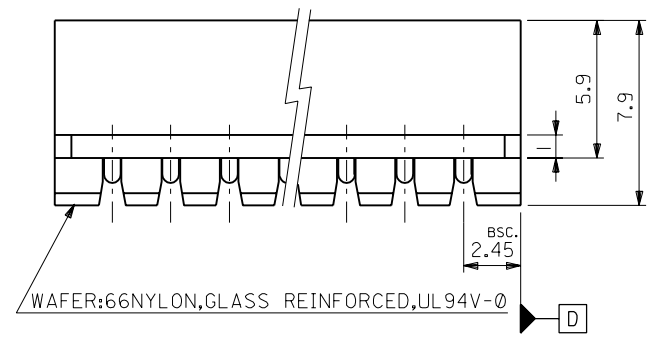


EDP NO. 39-29-8\*\*1  
 ENG. NO. SD-5268-NA-X

MM DIMENSIONS IN METRIC DO NOT SCALE DRAWING



⊕ ∅ 0.6 A B



34.9	33.5	30	39-29-8131	5268-13A-X	13
32.4	31	27.5	↑ -8121	↑ -12A-X	12
29.9	28.5	25	↑ -8111	↑ -11A-X	11
27.4	26	22.5	↑ -8101	↑ -10A-X	10
24.9	23.5	20	↑ -8091	↑ -09A-X	9
22.4	21	17.5	↑ -8081	↑ -08A-X	8
19.9	18.5	15	↑ -8071	↑ -07A-X	7
17.4	16	12.5	↑ -8061	↑ -06A-X	6
14.9	13.5	10	↑ -8051	↑ -05A-X	5
12.4	11	7.5	↑ -8041	↑ -04A-X	4
9.9	8.5	5	↓ -8031	↓ -03A-X	3
7.4	6	2.5	39-29-8021	5268-02A-X	2
C	B	A	EDP NO.	ENG. NO.	NO. OF CKTS.

NOTES

- 1. MATES WITH : 5264 SERIES
- ⚠ APPLIES : PIN, BOTH ENDS

角度 ANGLE	±3°	D	REVISED (J20185)	TI	9/3/13
30以上 OVER	±0.3	C	REVISED (J11104)	TI	9/1/29
10以上 30未滿 UNDER	±0.25	B	REVISED & REDRAWN (J10591)	K.T	9/1/15
10未滿 UNDER	±0.2	記号 LTR	変更内容 REVISION RECORD	DR. CHK.	日付 DATE
一般公差 GENERAL TOLERANCES		REVISE ONLY ON CAD SYSTEM			

材料 MATERIAL	—	molex MOLEX-JAPAN CO.,LTD. 日本モレックス株式会社
仕上げ FINISH	—	
適用電線範囲 WIRE RANGE	—	EDP. NO. 39-29-8**1
被覆外径 INS. RANGE	—	ENG. NO. SD-5268-NA-X
DRAWN BY T.ITO '91/12/6	CHK'D BY '92/08/31 M.H.KUSHIMA	TITLE 名称 2.5 LOW PROFILE WAFER ASS'Y 90° BEND
APP'D BY '92/08/31 M.ENOMOTO	尺度 SCALE 5 - 1	REV D

THIS DRAWING CONTAINS INFORMATION THAT IS PROPRIETARY TO MOLEX(JAPAN) AND SHOULD NOT BE USED WITHOUT WRITTEN PERMISSION  
 本図面は日本モレックス（株）の所有する情報を含むもので 当社の許可なく複製を禁止する。

MXJ-8