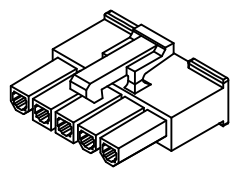
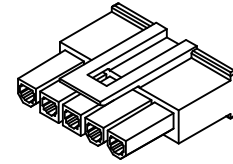


OPTIONAL ENGINEERING NUMBER LOCATION

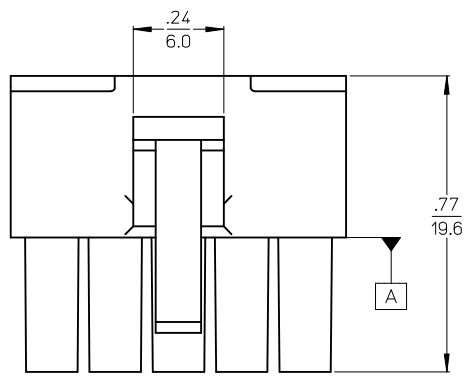


POSITIVE LATCH SCALE 2:1

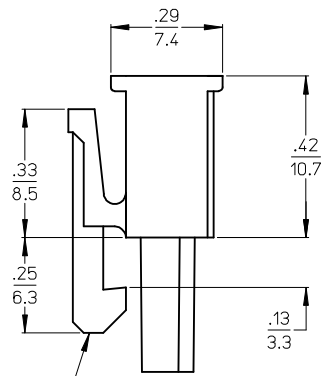


PASSIVE LATCH SCALE 2:1

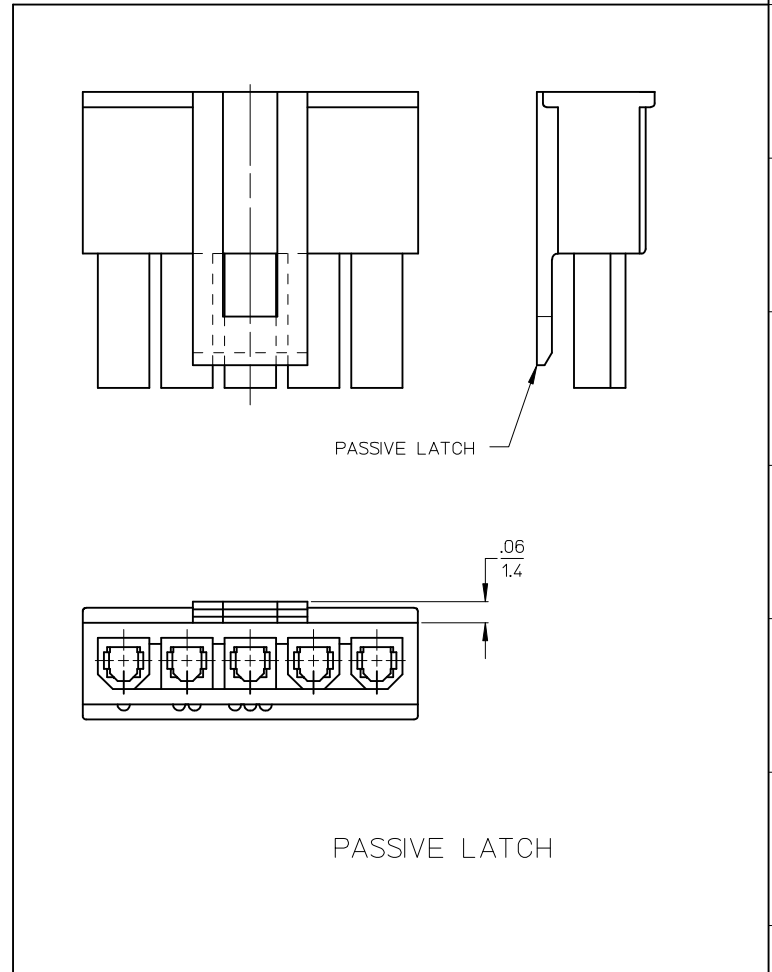
| MATERIAL NUMBER | ENGINEERING NUMBER | TOOL STATUS | CKT SIZE | LATCH STYLE | DIM A         |
|-----------------|--------------------|-------------|----------|-------------|---------------|
| 50-36-1746      | 5557-04R2-225      | TOOLED      | 4        | POSITIVE    | .709/(18.00)  |
| 50-36-1682      | 5557-05R2-225      | TOOLED      | 5        | POSITIVE    | .874/(22.20)  |
| 50-36-1666      | 5557-05R4-225      | TOOLED      | 5        | PASSIVE     | .874/(22.20)  |
| 50-36-2491      | 5557-06R2-225      | NOT TOOLED  | 6        | POSITIVE    | 1.039/(26.40) |
| 50-36-2324      | 5557-07R2-225      | NOT TOOLED  | 7        | POSITIVE    | 1.205/(30.60) |
| 50-36-2288      | 5557-10R2-225      | TOOLED      | 10       | POSITIVE    | 1.701/(43.20) |



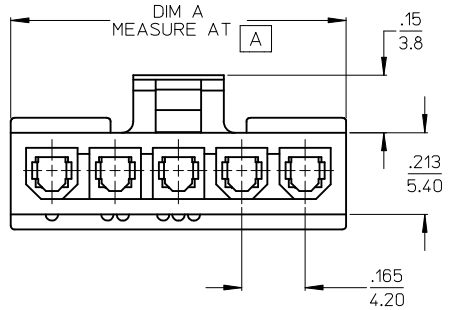
POSITIVE LATCH



PASSIVE LATCH



PASSIVE LATCH



LEGEND:  
 5557-\*\*R\*-225  
 CIRCUIT SIZE  
 RECEPTACLE  
 R2= SINGLE ROW, POSITIVE LATCH  
 R4= SINGLE ROW, PASSIVE LATCH  
 MATERIAL  
 SEE NOTE 1

- NOTES:  
 1) MATERIAL:  
 \*225\* = NYLON (PA6), UL94V-0, COLOR: BLACK; IEC 60335-1, 4th EDITION GLOW WIRE CAPABLE.  
 2) FINISH: NOT APPLICABLE  
 3) PRODUCT SPECIFICATION: PS-5556-001  
 4) PACKAGING: BULK  
 5) PART MATES WITH MOLEX PLUG #5559 AND HEADERS #5566 AND #5569.  
 6) PART TO BE USED WITH MOLEX FEMALE TERMINAL #5556.  
 7) PART IS NOT DESIGNED FOR CURRENT SHARING.  
 8) CONNECTORS ARE NOT TO BE MATED OR UNMATED WHILE CIRCUITS ARE LIVE.  
 9) WIRES ARE TO BE DRESSED IN SUCH A MANNER TO ALLOW THE TERMINALS TO FLOAT FREELY IN THE POCKET.  
 10) PART CONFORMS TO CLASS "B" REQUIREMENTS OF COSMETIC SPECIFICATION PS-45499-002 WITH THE EXCEPTION OF DISCOLORATION, FLASH AND SINK MEET CLASS "C" REQUIREMENTS.

|                        |                 |
|------------------------|-----------------|
| ADD P/N TO CHART       | QUALITY SYMBOLS |
| EC NO: UCP2010-0295    | ▽=0             |
| DRWN:TBRENS 2009/08/03 | ▽=0             |
| CHKD:JBELL 2009/08/03  |                 |
| APPR:FSMITH 2009/08/03 |                 |
| REV                    | DESCRIPTION     |
| A2                     |                 |

GENERAL TOLERANCES (UNLESS SPECIFIED)

|            | mm  | INCH  |
|------------|-----|-------|
| 4 PLACES ± | --- | ---   |
| 3 PLACES ± | --- | ±.010 |
| 2 PLACES ± | .25 | ±.015 |
| 1 PLACE ±  | .38 | ±---  |

ANGULAR ±1/2°

DRAFT WHERE APPLICABLE MUST REMAIN WITHIN DIMENSIONS

| DIMENSION STYLE |              | SCALE   | DESIGN UNITS | THIRD ANGLE PROJECTION |
|-----------------|--------------|---|--------------|------------------------|
| IN/MM           |              |   | METRIC       |                        |
| DRAWN BY        | DATE         | TITLE   |              |                        |
| LSCHMIDT        | 2007/06/28   | MINI-FIT JR. RECEPTACLE SINGLE ROW GLOW WIRE  |              |                        |
| CHECKED BY      | DATE         |   |              |                        |
| ADERR           | 2007/07/02   |   |              |                        |
| APPROVED BY     | DATE         |   |              |                        |
| FSMI THROEMER   | 2007/07/06   |   |              |                        |
| MATERIAL NO.    | DOCUMENT NO. |   |              |                        |
| SEE CHART       |              | MOLEX INCORPORATED  |              |                        |
|                 |              | SD-5557-525   |              |                        |
| SIZE            |              | SHEET NO. 1 OF 1  |              |                        |
|                 |              | THIS DRAWING CONTAINS INFORMATION THAT IS PROPRIETARY TO MOLEX INCORPORATED AND SHOULD NOT BE USED WITHOUT WRITTEN PERMISSION |              |                        |