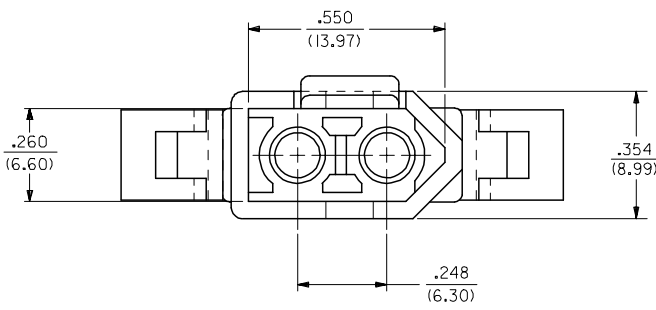
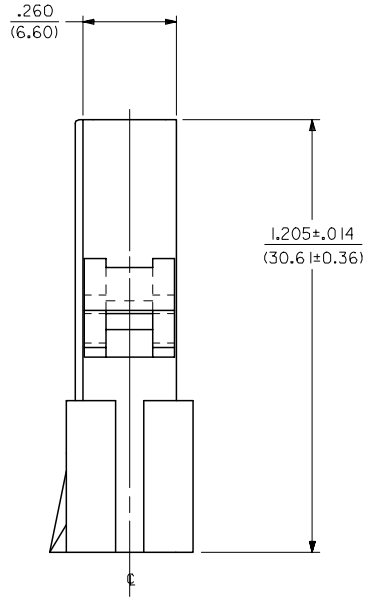
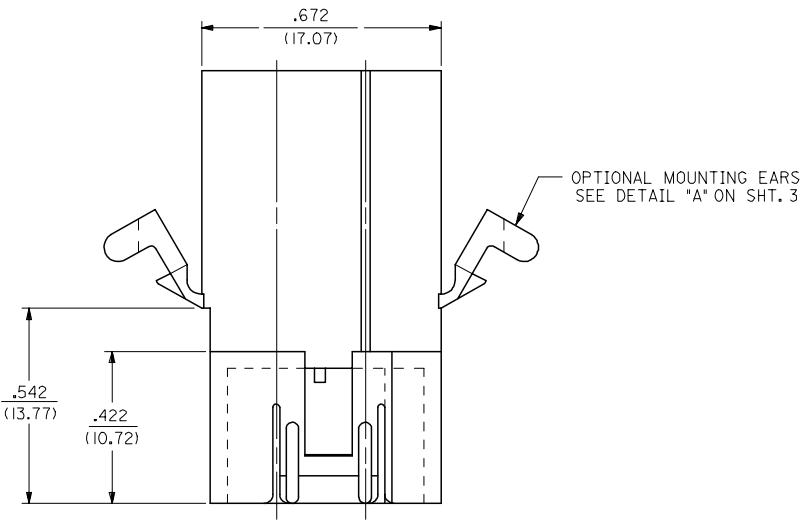
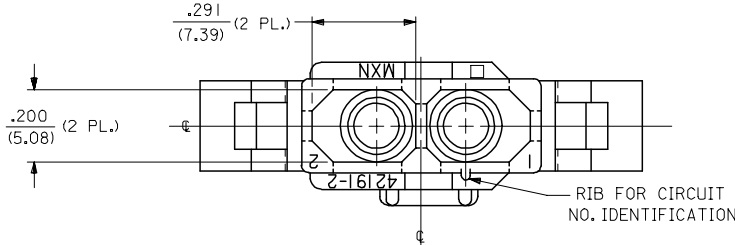


13 12 11 10 9 8 7 6 5 4 3 2 1

J
I
H
G
F
E
D
C
B
A



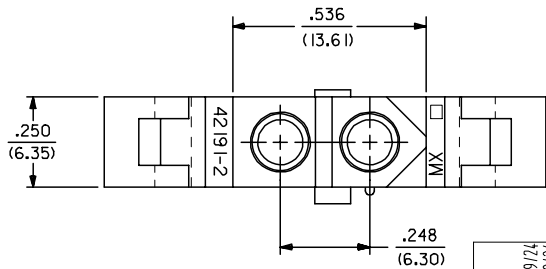
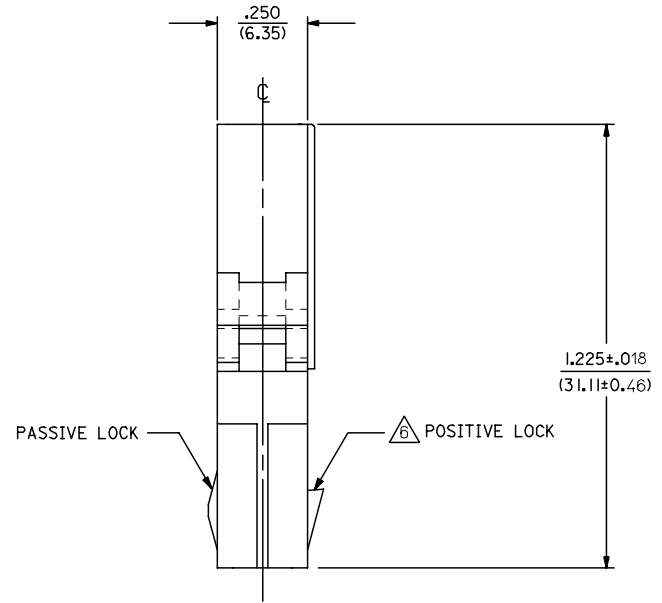
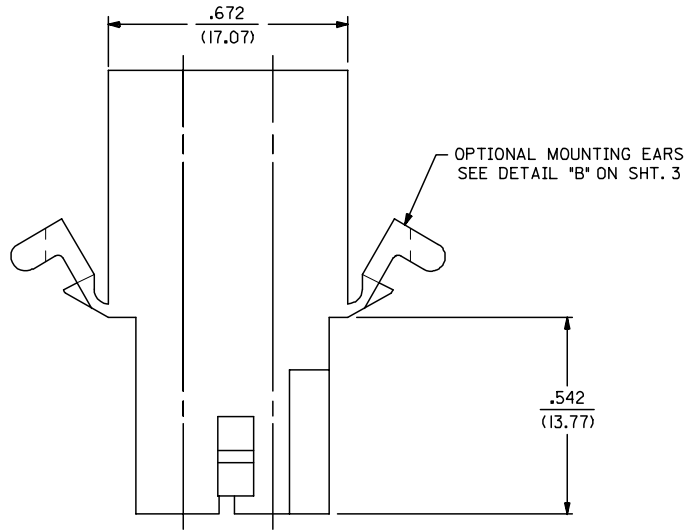
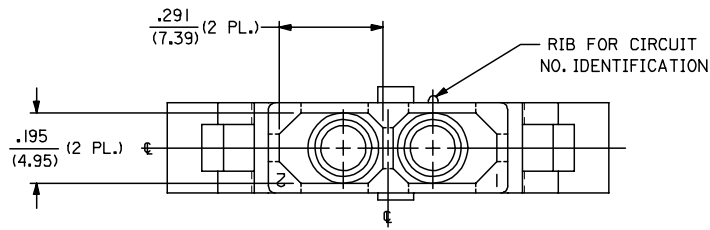
PLUG HOUSING

RELEASED FC NO: UCP2007-2967 DRAWN/PRD/DR 2007/09/24 CHKD:LSH/MT 2007/09/24 APPR:FSM/TH 2007/09/25 REV A	DESCRIPTION QUALITY SYMBOLS ▽=0 ▽=0	GENERAL TOLERANCES (UNLESS SPECIFIED)		DIMENSION STYLE IN/MM		SCALE 1:1	DESIGN UNITS INCH	THIRD ANGLE PROJECTION			
		4 PLACES ± --- ± --- 3 PLACES ± --- ± .010 2 PLACES ± 0.25 ± .014 1 PLACE ± 0.36 ± ---	mm INCH	DRAWN BY AELHAG	DATE 09/24/2007	TITLE .093/(2.36) HOUSING G.W. PLUG AND RECEPTACLE 2 CIRCUIT					
		ANGULAR ± 1 °		CHECKED BY SCHMIDT	DATE 09/24/2007	APPROVED BY FSMITH					
		DRAFT WHERE APPLICABLE MUST REMAIN WITHIN DIMENSIONS		SEE CHART		MATERIAL NO. SD-42191-002		DOCUMENT NO.		SHEET NO. 1 OF 3	

12 11 10 9 8 7 6 5 4 3 2 1

13 12 11 10 9 8 7 6 5 4 3 2 1

J
I
H
G
F
E
D
C
B
A



RECEPTACLE HOUSING

RELEASED FC NO: UCP2007-2967 DRAWN/PRD/DR 2007/09/24 CHKD:LSHMDT 2007/09/24 APPR:FSMTH 2007/09/25	QUALITY SYMBOLS ▽=0 ▽=0	GENERAL TOLERANCES (UNLESS SPECIFIED)		DIMENSION STYLE IN/MM		SCALE 1:1	DESIGN UNITS INCH	THIRD ANGLE PROJECTION	
		4 PLACES ± --- ± --- 3 PLACES ± --- ± .010 2 PLACES ± 0.25 ± .014 1 PLACE ± 0.36 ± --- ANGULAR ±1/2°	DRAWN BY AELHAG	DATE 09/24/2007	CHECKED BY SCHMIDT	DATE 09/24/2007	APPROVED BY FSMITH	DATE 09/24/2007	TITLE .093/(2.36) HOUSING G.W. PLUG AND RECEPTACLE 2 CIRCUIT
A	DESCRIPTION RECEPTACLE HOUSING	DRAFT WHERE APPLICABLE MUST REMAIN WITHIN DIMENSIONS		SEE CHART		MATERIAL NO. SD-42191-002		DOCUMENT NO.	SHEET NO. 2 OF 3

MOLEX INCORPORATED

12 11 10 9 8 7 6 5 4 3 2 1

PLUG	
PART NO.	ENG. NO.
50-36-1688	42191-2P1-1

RECEPTACLE	
PART NO.	ENG. NO.
50-36-1687	42191-2R1-1

LEGEND: PLUG

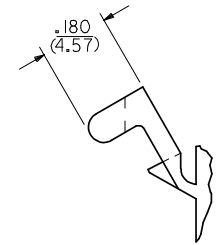
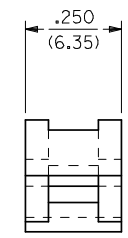
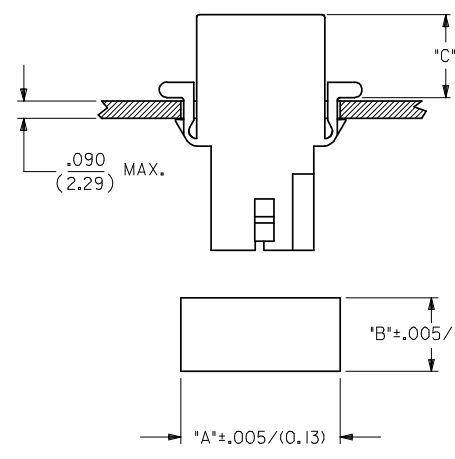
42 191- *P***

CIRCUIT SIZE
P = PLUG
BLANK = WITH PREBENT EARS
I = WITHOUT EARS
BLANK = BLACK COLOR
W = WHITE
MATERIAL:
1 = PA6 NYLON, UL94V-0

LEGEND: RECEPTACLE

42 191- *R***

CIRCUIT SIZE
R = RECEPTACLE
BLANK = WITH PREBENT EARS, POSITIVE LOCK
1 = WITHOUT EARS, POSITIVE LOCK
2 = WITH PREBENT EARS, PASSIVE LOCK
3 = WITHOUT EARS, PASSIVE LOCK
BLANK = BLACK COLOR
W = WHITE
MATERIAL:
1 = PA6 NYLON, UL94V-0



RECOMMENDED PANEL MOUNTING HOLE

HOUSING	DIM. "A"	DIM. "B"	DIM. "C"
PLUG	.831/(21.11)	.385/(9.78)	.44/(11.2)
RECEPTACLE	.831/(21.11)	.335/(8.51)	.46/(11.7)

DETAIL "A"
PREBENT MOUNTING EAR
SCALE 4:1

NOTES:

- MATERIAL: 1 = UL94V-0, PA6 NYLON, IEC 60335-1, 4TH EDITION, GLOW WIRE CAPABLE.
- FINISH: NONE.
- PRODUCT SPECIFICATION: NONE.
- PACKAGING INFORMATION: NONE.
- PART ACCEPTS DOUBLE WIRE CRIMPS OF 18 AWG MAXIMUM. EACH CIRCUIT WILL ALLOW ONE OF THE WIRES TO HAVE AN INSULATION THICKNESS OF .062/(1.57), THE OTHER HAVING AN INSULATION THICKNESS OF .031/(0.79).
- LOCK RAMP STYLE IS OPTIONAL ON THIS SIDE OF PART. CHOICE OF EITHER A POSITIVE LOCK RAMP OR A PASSIVE LOCK RAMP IS AVAILABLE.
- PARTS CONFORM TO CLASS 'B' REQUIREMENTS OF COSMETIC SPECIFICATION PS-45499-002 BUT, MEETS CLASS 'C' REQUIREMENTS FOR SINK AND DISCOLORATION.

CORRECT EDP NO'S EC NO: UCP2009-0468 DRW: AELHAG 2008/08/22 CHK: HKIPPER 2008/08/26 APPR: FSMITH 2008/08/27 A1	QUALITY SYMBOLS ▽=0 ▽=0	GENERAL TOLERANCES (UNLESS SPECIFIED)		DIMENSION STYLE IN/MM		SCALE 1:1	DESIGN UNITS INCH	THIRD ANGLE PROJECTION		
		mm INCH		DRAWN BY AELHAG	DATE 09/24/2007	TITLE .093/(2.36) HOUSING, PLUG AND RECEPTACLE, 2 CIRCUIT				
		4 PLACES ± --- ± --- 3 PLACES ± --- ± .010 2 PLACES ± 0.25 ± .014 1 PLACE ± 0.36 ± ---		CHECKED BY LSCHMIDT	DATE 09/24/2007	MOLEX INCORPORATED				
		ANGULAR ± 1 °		APPROVED BY FSMITH	DATE 09/24/2007	MATERIAL NO. SEE CHART	DOCUMENT NO. SD-42191-002	SHEET NO. 3 OF 3		
DRAFT WHERE APPLICABLE MUST REMAIN WITHIN DIMENSIONS		THIS DRAWING CONTAINS INFORMATION THAT IS PROPRIETARY TO MOLEX INCORPORATED AND SHOULD NOT BE USED WITHOUT WRITTEN PERMISSION								