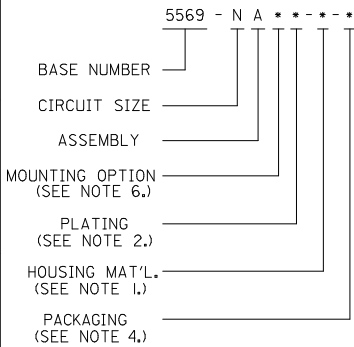
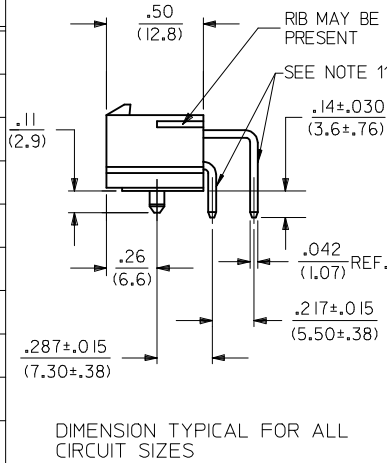


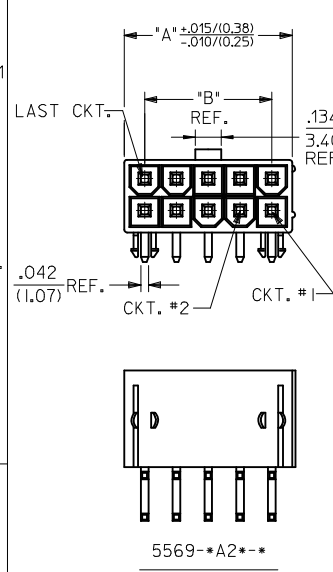
LEGEND:



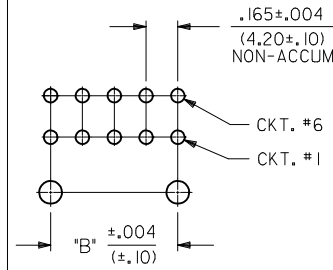
CIRCUIT SIZE	DIM. "A"	DIM. "B"
6	.54 (13.8)	.33 (8.4)
8	.71 (18.0)	.50 (12.6)
10	.87 (22.2)	.66 (16.8)
12	1.04 (26.4)	.83 (21.0)
14	1.20 (30.6)	.99 (25.2)
16	1.37 (34.8)	1.16 (29.4)
18	1.54 (39.0)	1.32 (33.6)
20	1.70 (43.2)	1.49 (37.8)
22	1.87 (47.4)	1.65 (42.0)
24	2.03 (51.6)	1.82 (46.2)



DIMENSION SIZES TYPICAL FOR ALL CIRCUIT SIZES

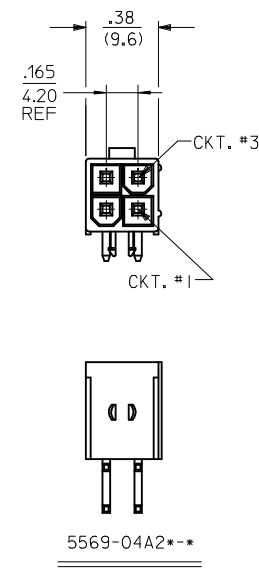


5569-A2*-*

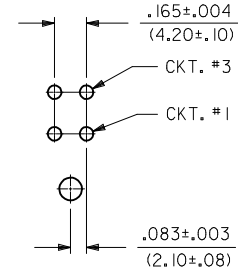


RECOMMENDED HOLE LAYOUT FOR .070/(1.78) MAX. THICK P.C. BOARD VIEWED FROM COMPONENT SIDE

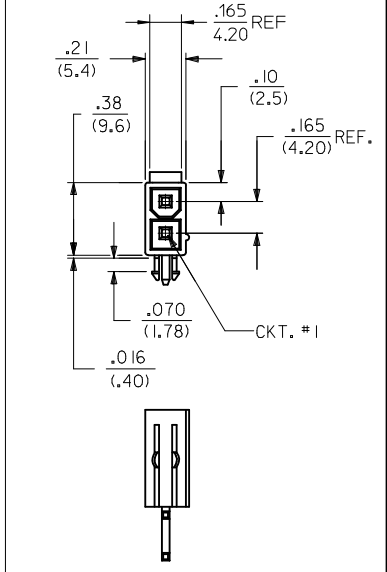
DIMENSIONS IN THIS VIEW ARE TYPICAL FOR CIRCUIT SIZES 6 THRU 24



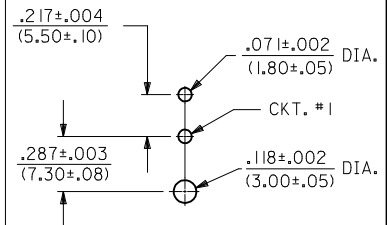
5569-04A2*-*



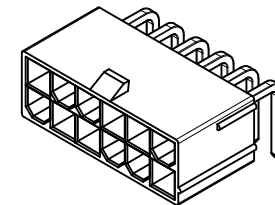
RECOMMENDED HOLE LAYOUT FOR .070/(1.78) MAX. THICK P.C. BOARD VIEWED FROM COMPONENT SIDE



5569-02A2*-*



RECOMMENDED HOLE LAYOUT FOR .070/(1.78) MAX. THICK P.C. BOARD VIEWED FROM COMPONENT SIDE



- NOTES:**
- MATERIAL: HOUSING: "225" = UNFILLED NYLON 6, UL94V-0, IEC 60335-1, 4TH EDITION GLOW WIRE CAPABLE, COLOR - BLACK. TERMINAL: BRASS ALLOY
 - FINISH (PLATING): GS = .000030/(0.00076) MIN. SELECT GOLD OVER .000100/(0.00254) MIN. SELECT MATTE TIN OVER .000050/(0.00127) MIN. NICKEL OVERALL MS = .000100/(0.00254) MIN. MATTE TIN OVER .000050/(0.00127) MIN. NICKEL
 - PRODUCT SPECIFICATION: PS-5556-001
 - PACKAGING: "BLANK" = BULK PACKED PER PK-5569-002 "T" = TRAY PACKED PER PK-5569-003
 - PART MATES WITH MINI-FIT JR. RECEPTACLE SERIES 5557.
 - MOUNTING OPTIONS: 2 = PEG MOUNT
 - DISCOLORATION IN THE BANDOLIER CARRIER AREA OF THE PIN IS INHERENT TO THE PLATING PROCESS AND IS DUE TO THE MASKING EFFECT OF THE CARRIER. THIS DISCOLORATION IS IN A NON-FUNCTIONAL AREA OF THE PIN AND WILL NOT AFFECT THE PERFORMANCE OF THE HEADER ASSEMBLY.
 - PART CONFORMS TO CLASS "B" REQUIREMENTS OF COSMETIC SPECIFICATION PS-45499-002.
 - CONNECTORS ARE NOT TO BE MATED AND UNMATED WHILE CIRCUITS ARE LIVE.
 - PARTS ARE NOT DESIGNED FOR CURRENT SHARING.
 - FORMING MARKS ON PINS ARE ACCEPTABLE.

REV	DESCRIPTION	QUALITY SYMBOLS
B2	REMOVE UNUSED P/N S IEC NO: UCP2013-1070 DRWIN:BBEE 2012/09/17 CHKD:JBELL 2012/09/17 APPR:FSMITH 2012/09/25	▽=0 ▽=0 ▽=0

GENERAL TOLERANCES (UNLESS SPECIFIED)	
mm	INCH
4 PLACES ±---	±---
3 PLACES ±---	±.010
2 PLACES ±.25	±.015
1 PLACE ±.38	±---
ANGULAR ±1/2°	

DIMENSION STYLE		SCALE		DESIGN UNITS		THIRD ANGLE PROJECTION	
IN/MM		2:1		METRIC			
DRAWN BY	DATE	TITLE					
GAVER ILL	2008/07/23	MINI-FIT JR RIGHT ANGLE HEADER ASSEMBLIES WITH MOUNTING PEGS					
CHECKED BY	DATE						
SSOUSEK	2008/07/23						
APPROVED BY	DATE						
FSMITH	2008/07/23						

MATERIAL NO.		DOCUMENT NO.		SHEET NO.	
SEE CHART		SD-5569-NA2*-225		1 OF 2	
MOLEX INCORPORATED					
THIS DRAWING CONTAINS INFORMATION THAT IS PROPRIETARY TO MOLEX INCORPORATED AND SHOULD NOT BE USED WITHOUT WRITTEN PERMISSION					

13	12	11	10	9	8	7	6	5	4	3	2	1	
TOOLED	PART NO.	ENG. NO.	CKT. SIZE	MOUNTING OPTION	PLATING (SEE NOTE 2)	HOUSING MATERIAL (SEE NOTE 1)	PACKAGING						
YES	50-36-2375	5569-02A2MS-225	2	PEGS	TIN/NICKEL	94V-0	BULK PACKAGED PER PK-5569-002						
YES	50-36-2306	5569-04A2MS-225	4	PEGS	TIN/NICKEL	94V-0							
YES	50-36-2377	5569-06A2MS-225	6	PEGS	TIN/NICKEL	94V-0							
NO	NOT ASSIGNED	5569-08A2MS-225	8	PEGS	TIN/NICKEL	94V-0							
NO	NOT ASSIGNED	5569-10A2MS-225	10	PEGS	TIN/NICKEL	94V-0							
NO	NOT ASSIGNED	5569-12A2MS-225	12	PEGS	TIN/NICKEL	94V-0							
YES	50-36-2298	5569-14A2MS-225	14	PEGS	TIN/NICKEL	94V-0							
NO	NOT ASSIGNED	5569-16A2MS-225	16	PEGS	TIN/NICKEL	94V-0							
	NOT ASSIGNED	5569-18A2MS-225	18	PEGS	TIN/NICKEL	94V-0							
	NOT ASSIGNED	5569-20A2MS-225	20	PEGS	TIN/NICKEL	94V-0							
	NOT ASSIGNED	5569-22A2MS-225	22	PEGS	TIN/NICKEL	94V-0							
YES	NOT ASSIGNED	5569-24A2MS-225	24	PEGS	TIN/NICKEL	94V-0	TRAY PACKAGED PER PK-5569-003						
	NOT ASSIGNED	5569-02A2MS-225-T	2	PEGS	TIN/NICKEL	94V-0							
	NOT ASSIGNED	5569-04A2MS-225-T	4	PEGS	TIN/NICKEL	94V-0							
	NOT ASSIGNED	5569-06A2MS-225-T	6	PEGS	TIN/NICKEL	94V-0							
YES	50-36-1744	5569-08A2MS-225-T	8	PEGS	TIN/NICKEL	94V-0							
YES	50-36-2294	5569-10A2MS-225-T	10	PEGS	TIN/NICKEL	94V-0							
YES	50-36-2317	5569-12A2MS-225-T	12	PEGS	TIN/NICKEL	94V-0							
YES	NOT ASSIGNED	5569-14A2MS-225-T	14	PEGS	TIN/NICKEL	94V-0							
NO	46999-0032	5569-16A2MS-225-T	16	PEGS	TIN/NICKEL	94V-0							
NO	46999-0033	5569-18A2MS-225-T	18	PEGS	TIN/NICKEL	94V-0							
NO	46999-0034	5569-20A2MS-225-T	20	PEGS	TIN/NICKEL	94V-0							
NO	46999-0035	5569-22A2MS-225-T	22	PEGS	TIN/NICKEL	94V-0							
NO	46999-0036	5569-24A2MS-225-T	24	PEGS	TIN/NICKEL	94V-0							
YES	46999-0114	5569-02A2GS-225-T	2	PEGS	GOLD/NICKEL	94V-0	TRAY PACKAGED PER PK-5569-003						
YES	46999-0115	5569-04A2GS-225-T	4	PEGS	GOLD/NICKEL	94V-0							
YES	46999-0116	5569-06A2GS-225-T	6	PEGS	GOLD/NICKEL	94V-0							
YES	46999-0117	5569-08A2GS-225-T	8	PEGS	GOLD/NICKEL	94V-0							
NO	46999-0118	5569-10A2GS-225-T	10	PEGS	GOLD/NICKEL	94V-0							
YES	46999-0119	5569-12A2GS-225-T	12	PEGS	GOLD/NICKEL	94V-0							
YES	46999-0120	5569-14A2GS-225-T	14	PEGS	GOLD/NICKEL	94V-0							
NO	46999-0121	5569-16A2GS-225-T	16	PEGS	GOLD/NICKEL	94V-0							
NO	46999-0122	5569-18A2GS-225-T	18	PEGS	GOLD/NICKEL	94V-0							
NO	46999-0123	5569-20A2GS-225-T	20	PEGS	GOLD/NICKEL	94V-0							
NO	46999-0124	5569-22A2GS-225-T	22	PEGS	GOLD/NICKEL	94V-0							
NO	46999-0125	5569-24A2GS-225-T	24	PEGS	GOLD/NICKEL	94V-0							

SEE SHEET 1 EC NO: UCP2013-1070 2012/09/17 DRWN:BBE 2012/09/17 CHKD:JBELL 2012/09/25 APPR:FSMITH	QUALITY SYMBOLS ▽=0 ▽=0 ▽=0	GENERAL TOLERANCES (UNLESS SPECIFIED)		DIMENSION STYLE IN/MM		SCALE 1:1	DESIGN UNITS METRIC	THIRD ANGLE PROJECTION			
		4 PLACES ± --- ± ---	3 PLACES ± --- ± .010	2 PLACES ± .25 ± .015	1 PLACE ± .38 ± ---	DRAWN BY GAVERRILL	DATE 2008/07/23	TITLE MINI-FIT JR RIGHT ANGLE HEADER ASSEMBLIES WITH MOUNTING PEGS			
		ANGULAR ±1/2°				CHECKED BY SSOUSEK	DATE 2008/07/23				
		DRAFT WHERE APPLICABLE MUST REMAIN WITHIN DIMENSIONS				SEE CHART		APPROVED BY FSMITH		DATE 2008/07/23	MATERIAL NO. SD-5569-NA2*-225