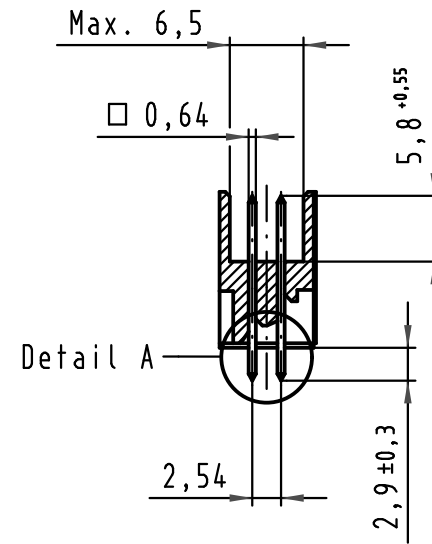
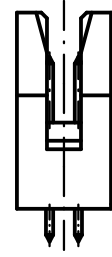
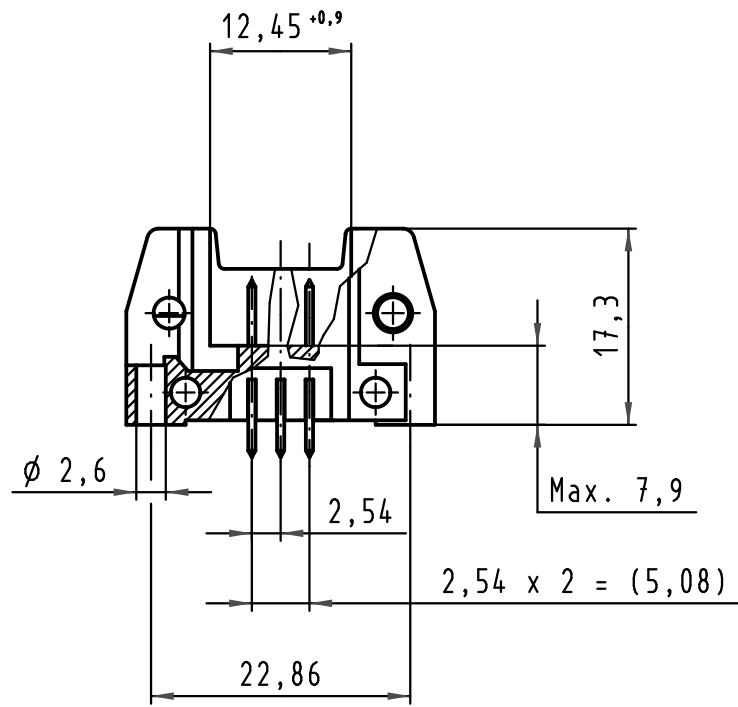
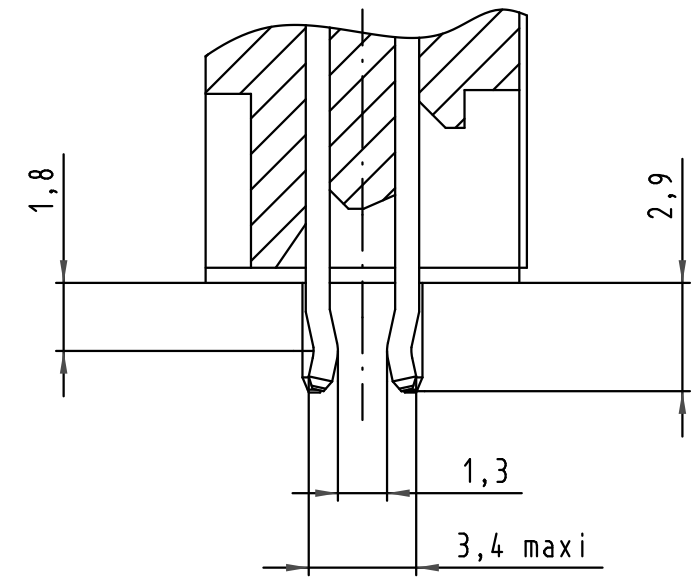


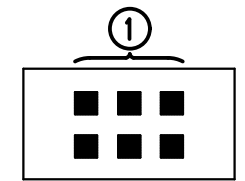
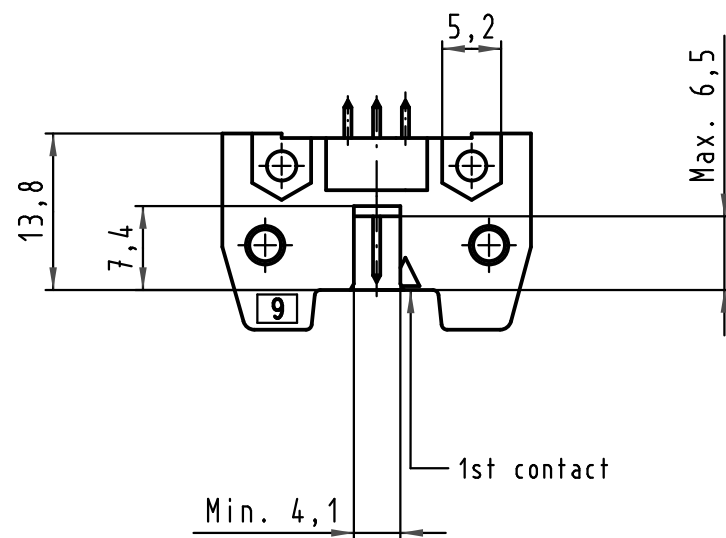
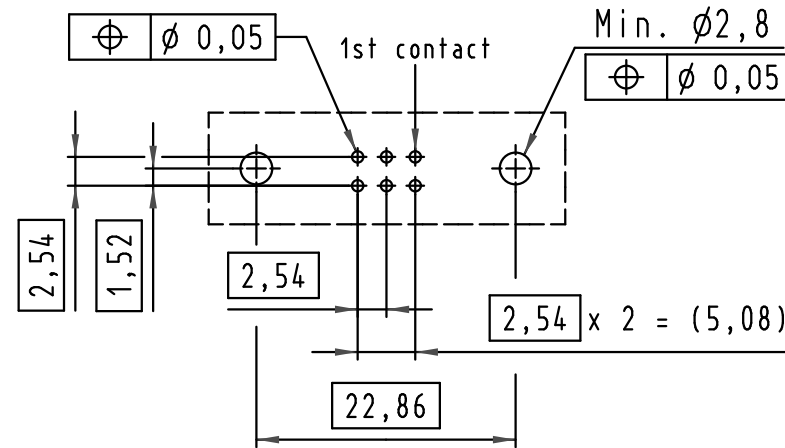
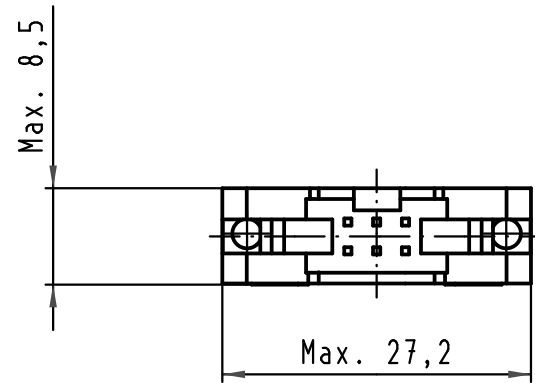
Alle Rechte vorbehalten/ All rights reserved



Detail A (Scale 5:1)



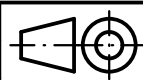

PCB layout, component side



■ Kinked contact

① Kinked pins
 PCB thickness from 1,50 to 1,94 mm after Cu + Sn plating
 with non remelted plated through holes ϕ 0,85 to ϕ 1,05 mm
 Maximum insertion force = 125 N
 Minimum retention force = 3 N

09 18 506 7024	PL3
09 18 506 6024	PL2
09 18 506 5024	S4
Part number	Performance level

			Det.	Name	 All Dim. in mm Orig. Size DIN A 3	SEK 18 male standard connector 6 poles Straight kinked pins 2,9mm Without locking levers	Maßstab/ Scale 1,5:1
		Detail.	23-AUG-10	JB			
		Insp.					
		Stand.					
EC02249	23-AUG-10	JB	HARTING EURL F-95972 Paris			TB 09 18 506 X02X	Blatt/ Page 1 / 1
Mod.	Det.	Name					