

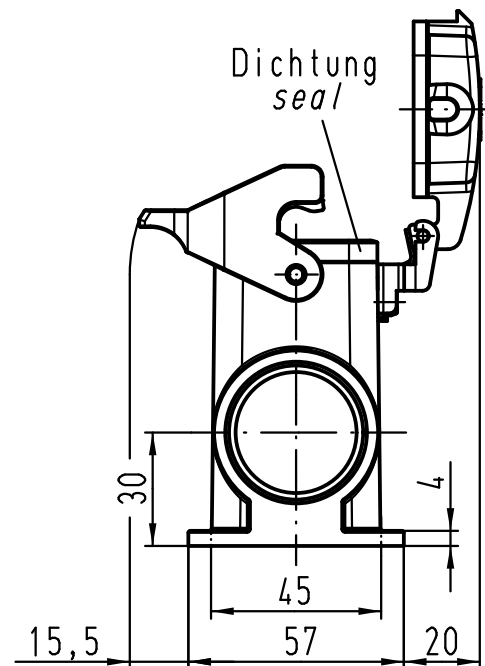
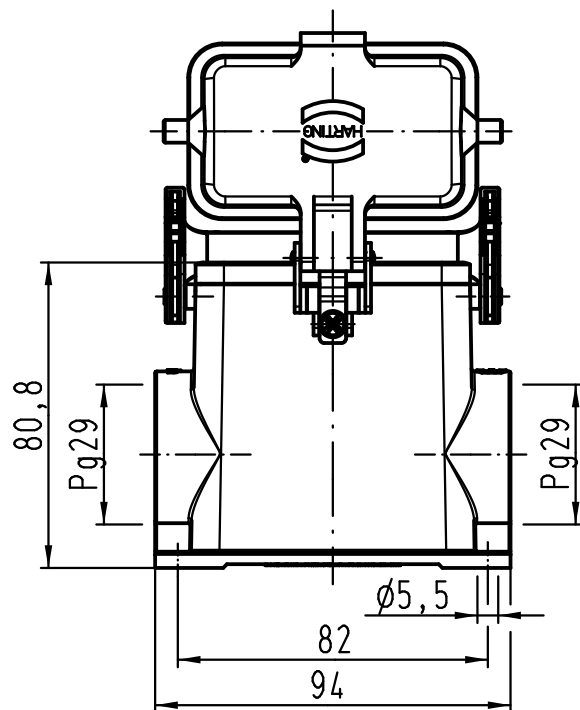
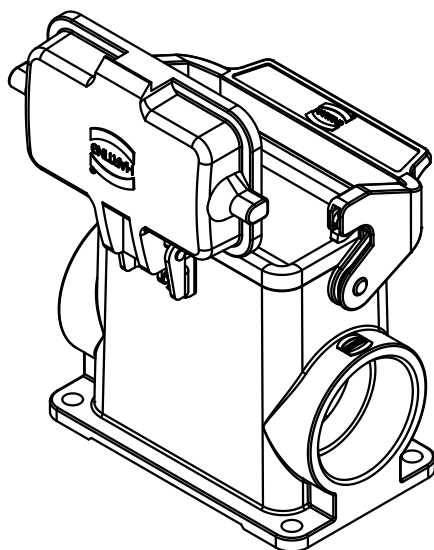
1 2 3 4 5 6

A

B

C

D



| | | | | | | |
|---|------|--------------------------------|-------------------|------|---|---|
| All Dimensions in mm Original Size DIN A 4 | | Techn. Character. | | | Nicht tolerierte Maße! Free size tolerances | |
| | | | Dat. | Name | Maßstab/Scale 1:2 | Han 10B-asg2-LB-K-29 Sockelgehäuse housings surface mounting |
| | | Detail. | 11.04.11 | Ho | | |
| | | Insp. | | Be | | |
| | | Stand. | | | | |
| A | | HARTING Electric GmbH & Co. KG | | | | TB 09 30 010 0298 |
| Mod. | Dat. | Name | D-32339 Espelkamp | | | |
| | | | | | Sub. TB 09 30 010 0298 v. 04.02.93 | |
| | | | | | Blatt/ page | |