

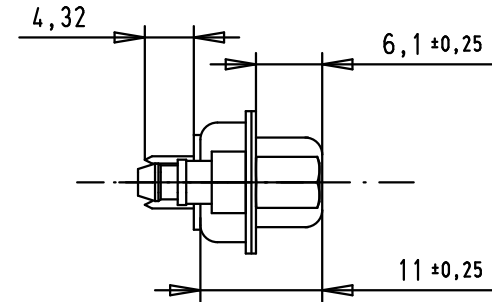
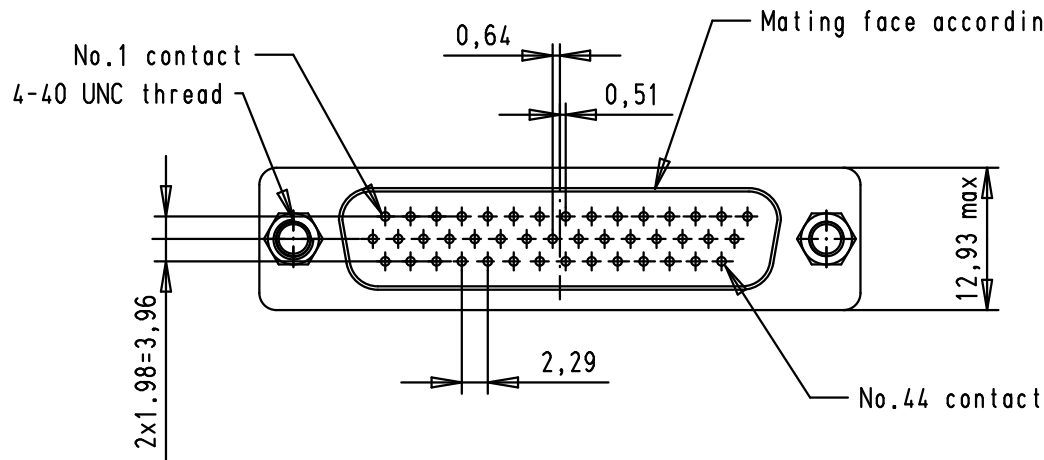
5

4

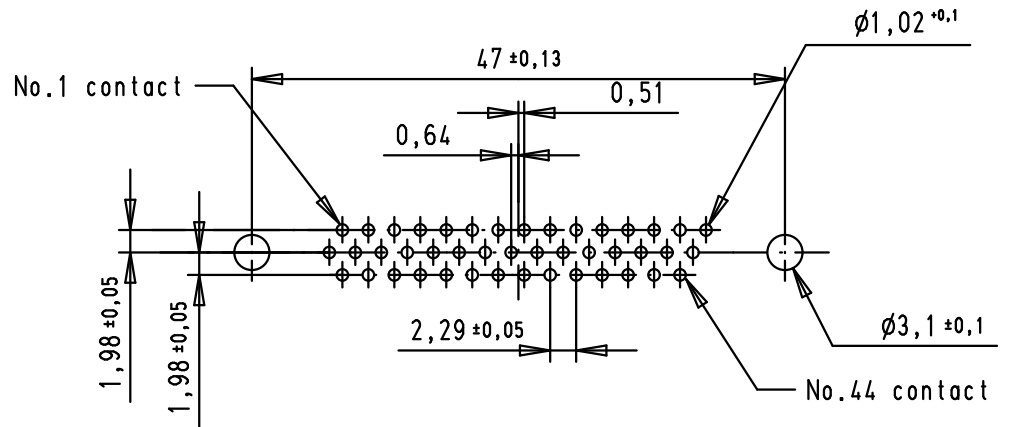
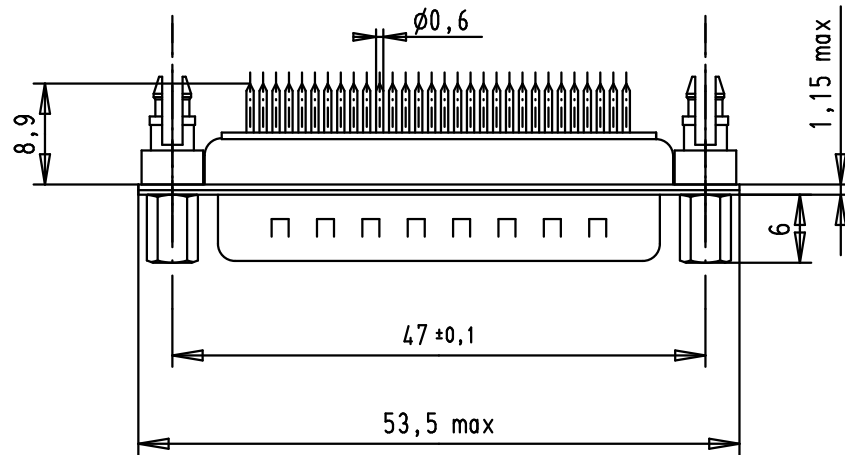
3

2

1



Printed board layout, component side  
PCB thickness 1,6mm



A

09563615713	0.76 μm Au
09563617713	3
Part number	Performance level

				Dat.	Name
36182	13/10/10	BH	Detail.	03/06/03	S.H.
32735	18/03/05	AL	Insp.		
32326	04/01/05	TR	Stand.		
31874	05/03/04	A.C.	HARTING EURL F-95972 Paris		
31503	03/06/03	S.H.			
Mod.	Dat.	Name			

All Dim. in mm  
Orig. Size DIN A 4

Dsub, 44 poles, male, straight solder pins, board locks and screw locks shell with dimples	Maßstab/ Scale 1.5:1
TB 0956361x713	Blatt/ Page 1 / 1
Sub.	