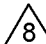
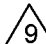
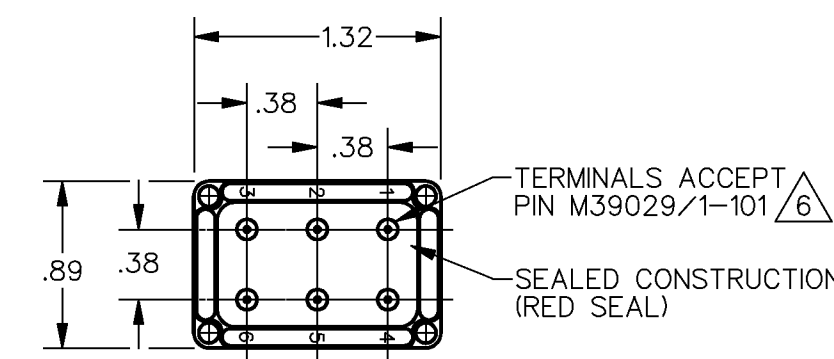
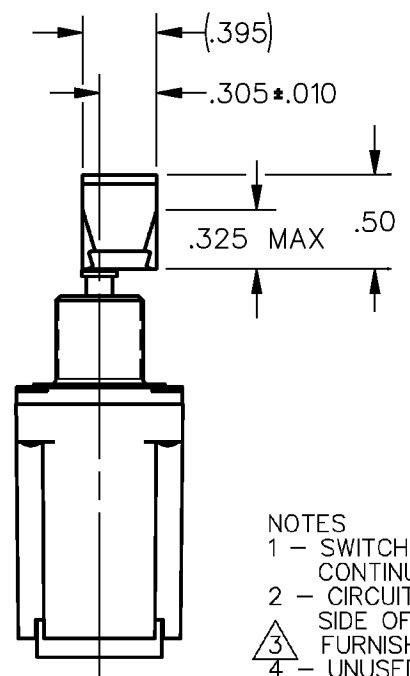
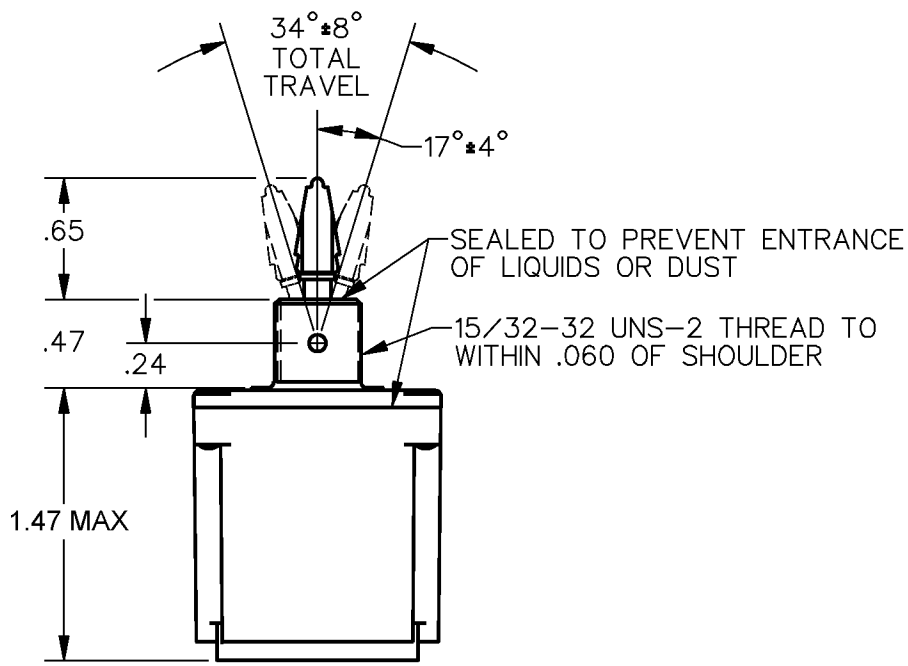
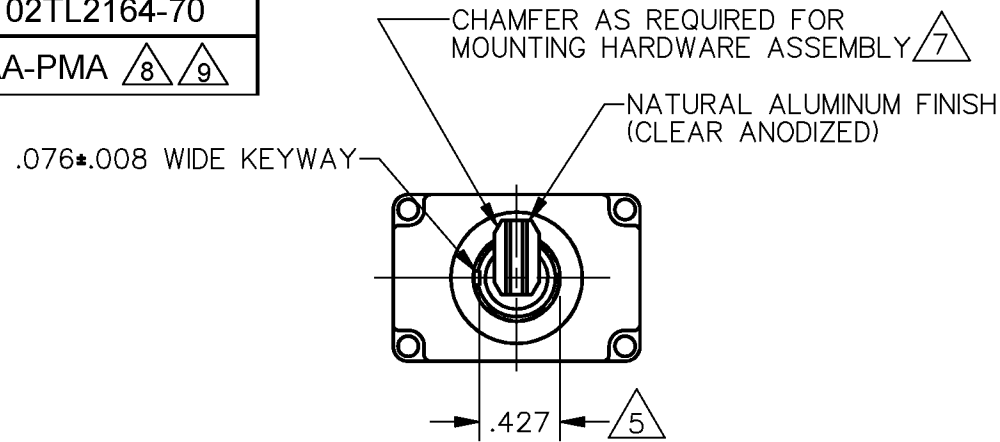
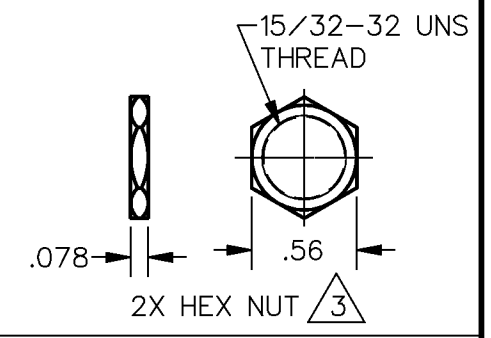
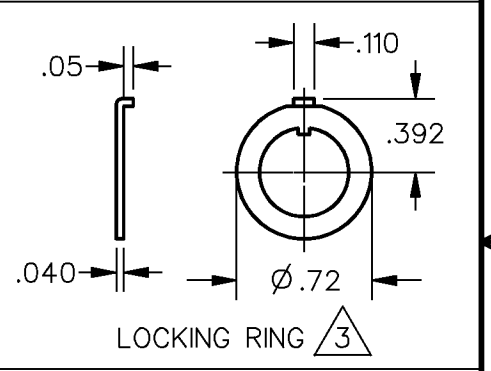
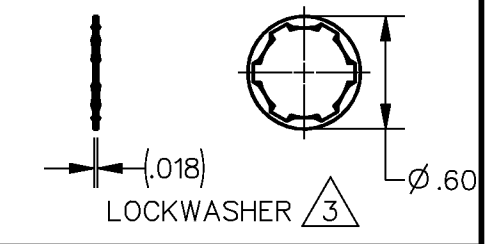


HONEYWELL  
PART NUMBER  
**102TL2164-70**  
FAA-PMA  

REV	DOCUMENT	CHANGED BY	CHECK
11	0008691	KSR 25OCT04	AK



KEYWAY SIDE			CENTER			OPPOSITE KEYWAY			CURRENT CAPACITY (AMPS)								
MOMENTARY POSITION			MAINTAINED POSITION			MOMENTARY POSITION			RESISTIVE LOAD		LAMP LOAD		INDUCTIVE LOAD				
3	2	1	3	2	1	3	2	1	DC VOLTS	AC VOLTS	28 VDC	125 VAC	28 VDC	125 VAC			
6	5	4	6	5	4	6	5	4	7.5	.75	.5	7.5	6	5	2	7.5	7.5

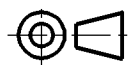


- NOTES
- SWITCHES ARE CAPABLE OF WITHSTANDING A TEMPERATURE OF 160°F CONTINUOUSLY AT FULL RATED LOAD
  - CIRCUIT DESIGNATION AND MICRO SWITCH CATALOG LISTING MARKED ON SIDE OF SWITCH
  - FURNISHED UNASSEMBLED
  - UNUSED TERMINAL HOLES MAY BE SEALED WITH PLUGS M83723/28-20
  - FROM BOTTOM OF KEYWAY TO MAJOR Ø OF 15/32 THREAD
  - THE SEALING GROMMET SHALL SEAL ON A SMOOTH WIRE INSULATION OF Ø.040 TO .083 (16-20 GAGE)
  - NO SHARP EDGES ALLOWED
  - FAA-PMA MUST BE MARKED ON SWITCH
  - FOR MANUFACTURING DETAIL SEE ASSEMBLY DRAWING 102TL2164-70 FOR FAA-PMA

DESIGN UNITS: INCH  
TOLERANCES UNLESS NOTED:

NO PLACE	X	±	0.040
ONE PLACE	.X	±	0.030
TWO PLACE	.XX	±	0.015
THREE PLACE	.XXX	±	0.005
FOUR PLACE	.XXXX	±	0.0005
ANGLES		±	2

THIRD ANGLE PROJECTION



DRAWN	KSR	25OCT04
CHECK	AK	25OCT04
THIS DRAWING COVERS A PROPRIETARY ITEM AND IS THE PROPERTY OF HONEYWELL. THIS DRAWING IS NOT TO BE COPIED OR USED WITHOUT THE PERMISSION OF HONEYWELL.		
INTERPRET PER ASME Y14.5M-1994 OTHER HONEYWELL ENGINEERING STANDARDS MAY APPLY		

**Honeywell**

TITLE  
**SWITCH - TOGGLE**

SIZE	TYPE	DRAWING NAME	REV
<b>B</b>	<b>I</b>	<b>102TL2164-70</b>	<b>11</b>
SCALE	1 : 1	WEIGHT .135 LB MAX	SHEET 1 OF 1