

MICRO SWITCH
a Honeywell Division

SWITCH - ENCLOSURE

CATALOG LISTING

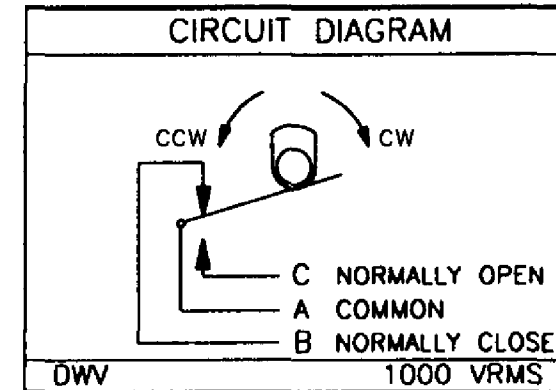
10HF2

CUSTOMER PART NUMBER

8532048

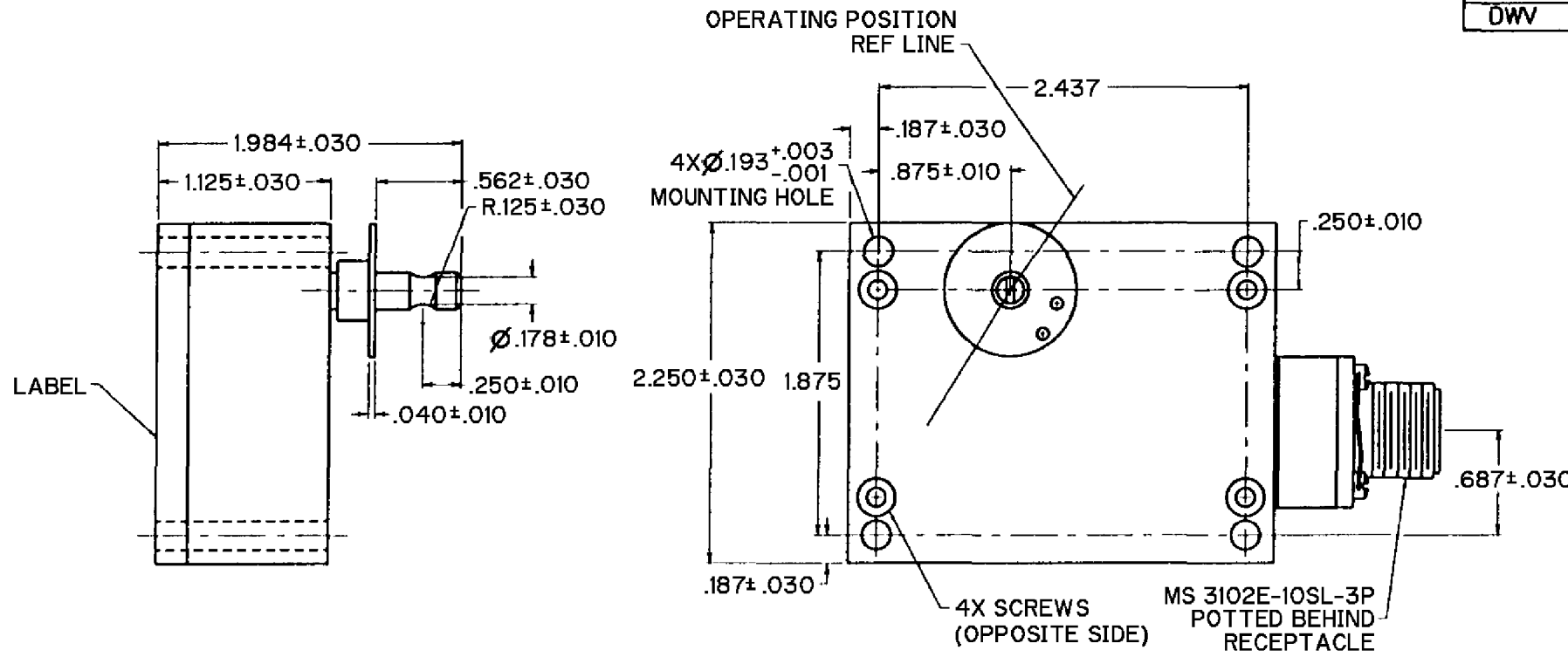
THIS DRAWING COVERS A PROPRIETARY ITEM AND IS THE PROPERTY OF MICRO SWITCH, A DIVISION OF HONEYWELL. THIS DRAWING IS NOT TO BE COPIED OR USED WITHOUT THE APPROVAL OF MICRO SWITCH

WARNING- THIS PRODUCT IS SUBJECT TO THE U.S. INTERNATIONAL TRAFFIC IN ARMS REGULATIONS (ITAR), AND THE EXPORT CONTROL LAWS OF THE UNITED STATES. TRANSFER OF TECHNICAL DATA PERTAINING TO THIS PRODUCT BY ANY MEANS TO A FOREIGN PERSON PER ITAR DEFINITIONS, WHETHER IN THE UNITED STATES OR ABROAD, WITHOUT A PRIOR EXPORT LICENSE OR OTHER APPROVAL FROM THE U.S. DEPARTMENT OF STATE, IS PROHIBITED.



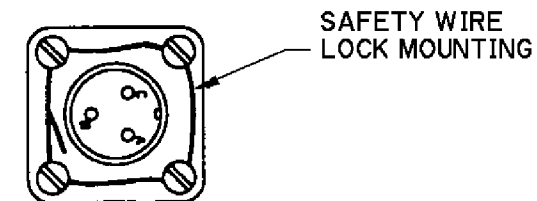
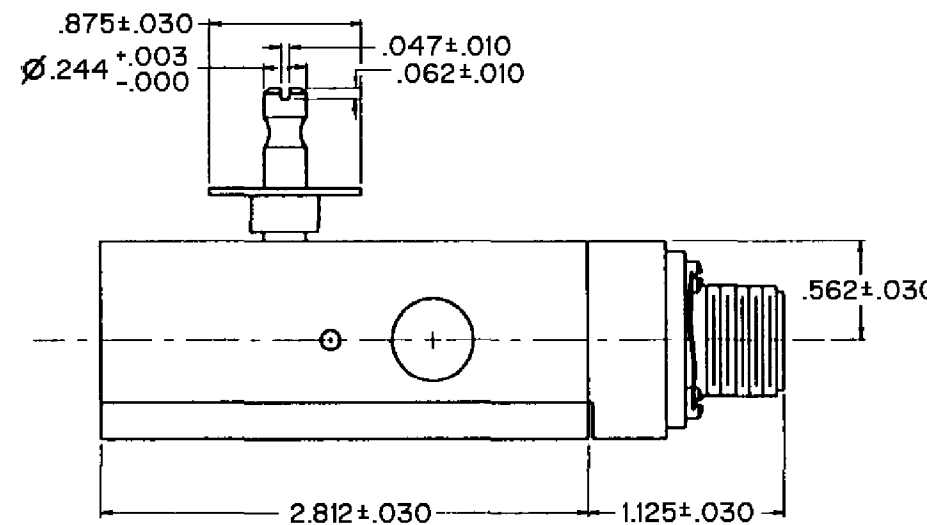
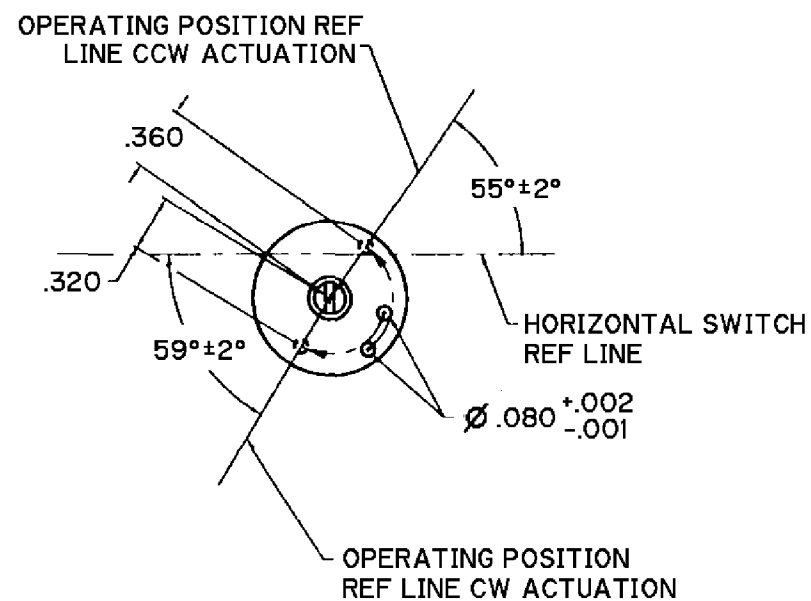
		ELECTRICAL DATA		
		ENDURANCE 25,000 CYCLES		SPDT
LOAD	SEA LEVEL		50,000 FT.	
		28 VDC	115 VAC 60 Hz	28 VDC
RES.	7 AMP	7 AMP	4 AMP	
IND.	4 AMP	7 AMP	2.5 AMP	
LAMP	2.5 AMP	2 AMP	2.5 AMP	

CATALOG LISTING
 10HF2
 PAGE 1 OF 1
 REPLACES PR-24201
 RELEASE NO.
 CHECK
 REVISIONS
 A 200110
 G J W
 14 MAR 00
 B 200259
 DLM
 19 APR 00
 C 205769
 G J W
 12 JUN 02
 D 0007743
 JCC-AP
 3 SEP 04
 CHECK
 SAV 24 SEP 99
 CHECK
 SAV 24 SEP 99
 CHECK
 J L H 24 SEP 99
 DRAWN
 RASTER



NOTES

- 1 - OPERATING POSITION TO BE WITHIN 3° OF NOMINAL AFTER 25,000 OPERATIONS
- 2 - HORIZONTAL REFERENCE LINE IS THE LINE JOINING THE CENTERS OF THE TOP MOUNTING HOLES
- 3 - TEMPERATURE RANGE: -65°F TO 160°F
- 4 - UNIT PROVIDES NO SHAFT RESTORING FORCE. THE ACTUATING DEVICE MUST CONTROL MOVEMENT OF SHAFT
OPERATING TORQUE : 50 IN OZ MAX
RELEASE TORQUE : 23 IN OZ MAX
- 5 - SWITCH FINISH AND ALL PARTS THAT CAN BE WETTED BY CONTAMINANTS SHALL BE RESISTANT TO SKYDROL 500, KEROSENE JP-4 AND SALT SPRAY
- 6 - BASIC SWITCH SHALL CONFORM TO MIL-PRF-8805
- 7 - HOUSING SHALL BE SEALED TO MEET THE REQUIREMENTS OF MIL-PRF-8805 SYMBOL 4
- 8 - EXTERIOR HOUSING TO BE CORROSION RESISTANT AND GRAY IN COLOR
- 9 - THE SWITCH SHALL MEET THE FOLLOWING REQUIREMENTS:
SHOCK : MIL-PRF-8805 SYMBOL M EXCEPT 20 G's
VIBRATION : MIL-PRF-8805 SYMBOL 2 (15 G's 10-2000Hz)
- 10 - MARKING SHALL CONTAIN MFR NAME, CAGE NO, CIRCUIT DIAGRAM, DATE CODE, AND NSN 5930-00-034-0572
- 11 - SWITCH SHALL REMAIN ACTUATED 112°-138° PAST OPERATING POSITION FOR BOTH CLOCKWISE AND COUNTER CLOCKWISE ROTATION DIFFERENTIAL TRAVEL -10° MAX
- 12 - INTERNAL WIRE SHALL CONFORM TO MIL-W-22759/9



THIRD ANGLE PROJECTION	
SCALE NONE	
DO NOT SCALE PRINT	
UNLESS OTHERWISE SPECIFIED TOLERANCES ARE	
ONE PLACE	(.0) ±.030
TWO PLACE	(.00) ±.015
THREE PLACE	(.000) ±.005
ANGLES	± 4°
WEIGHT	

ANSI Y14.5M-1982 APPLIES