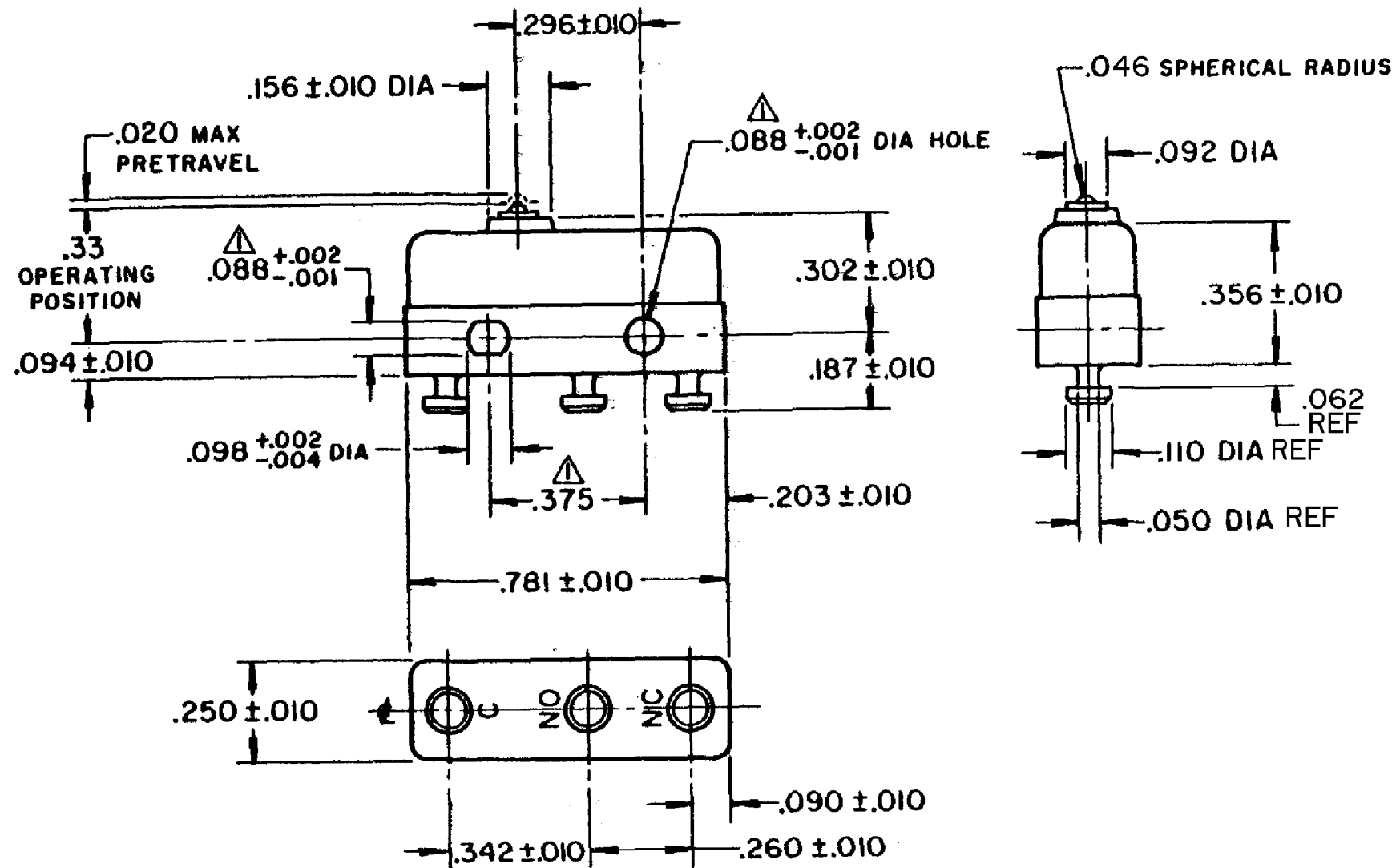
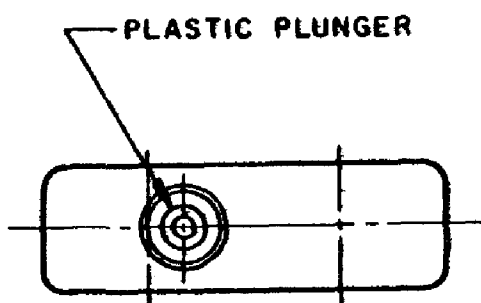


HONEYWELL PART NUMBER
11SM701-T
PRODUCT CODE
TWY2000
JG-99426

REV	DOCUMENT	CHANGED BY	CHECK
9	0059258	MH 03DEC09	CMH



NOTE -
 ▲-MOUNTING HOLES WILL ACCEPT PINS OR SCREWS OF .087 MAX DIA ON .375 ± .002 CENTERS
 2-TERMINALS ARE PLATED FOR SOLDERING

RELEASE NO.	PR - 275
REPLACES	X38169 - SM

CHARACTERISTICS	
OPERATING FORCE --	56 GRAM MAX
RELEASE FORCE-- --	14 GRAM MIN
DIFFERENTIAL TRAVEL-- --	.002 MAX
OVERTRAVEL - - - - -	.005 MIN

ELECTRICAL DATA		
CONTACT ARRANGEMENT SPDT		
30 VOLTS DC RATING		
	SEA LEVEL	50,000 FT
INDUCTIVE	3 AMP	2.5 AMP
RESISTIVE	5 AMP	5 AMP
MAXIMUM INRUSH 24 AMP		
APPROVALS	UL, CSA	4A, 250 VAC
		UL, CSA
		UL, CSA

DESIGN UNITS: INCH
TOLERANCES UNLESS NOTED:
NO PLACE X ±
ONE PLACE .X ±
TWO PLACE .XX ±
THREE PLACE .XXX ±
FOUR PLACE .XXXX ±
ANGLES ±
THIRD ANGLE PROJECTION

DRAWN	VK	06 FEB 08
CHECK	RJ	06 FEB 08
THIS DRAWING COVERS A PROPRIETARY ITEM AND IS THE PROPERTY OF HONEYWELL. THIS DRAWING IS NOT TO BE COPIED OR USED WITHOUT THE PERMISSION OF HONEYWELL.		
INTERPRET PER ANSI Y14.5M-1982 OTHER HONEYWELL ENGINEERING STANDARDS MAY APPLY		
RASTER		

Honeywell			
TITLE SWITCH - BASIC			
SIZE	TYPE	DRAWING NAME	REV
B	I	11SM701-T	9
SCALE	-	WEIGHT .006 LB MAX	SHEET 1 OF 1