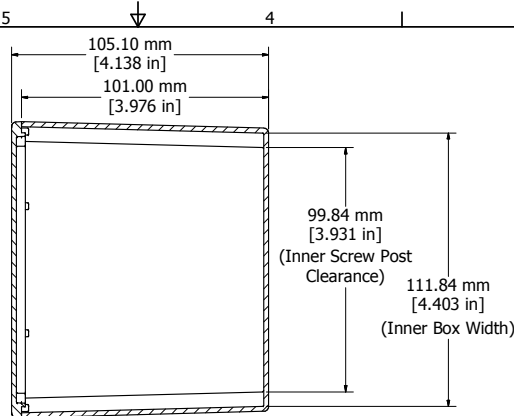
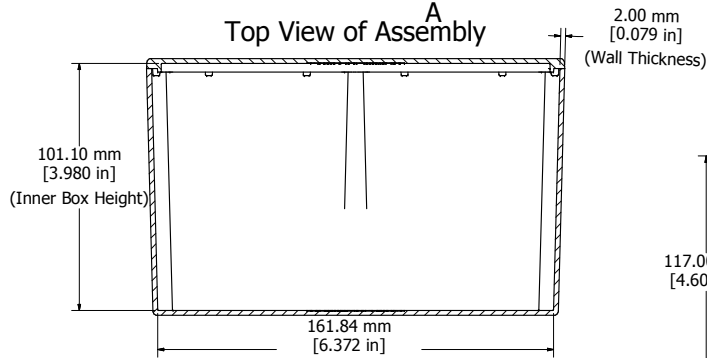
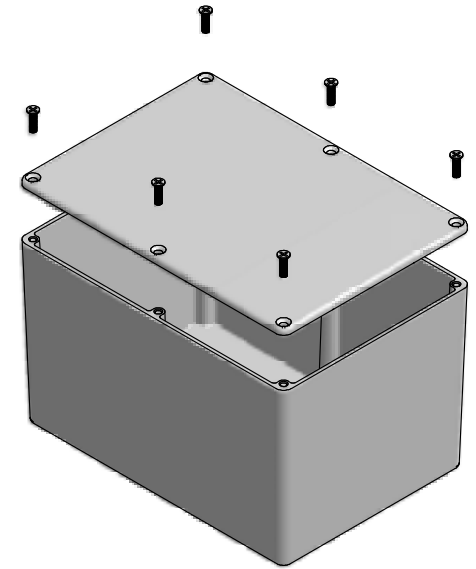


Top View of Assembly

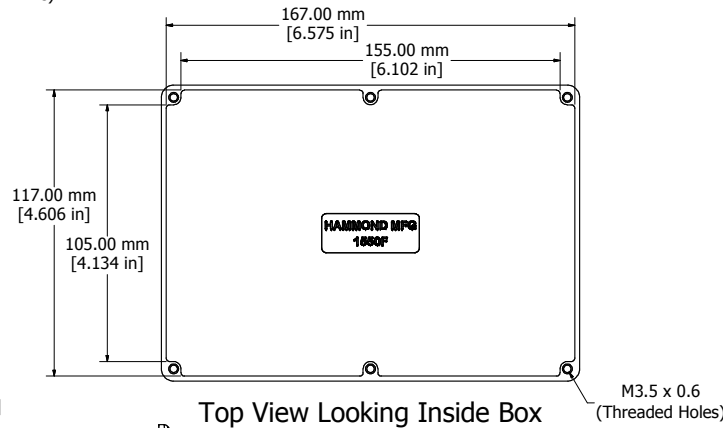


SECTION A-A
End View of Assembly

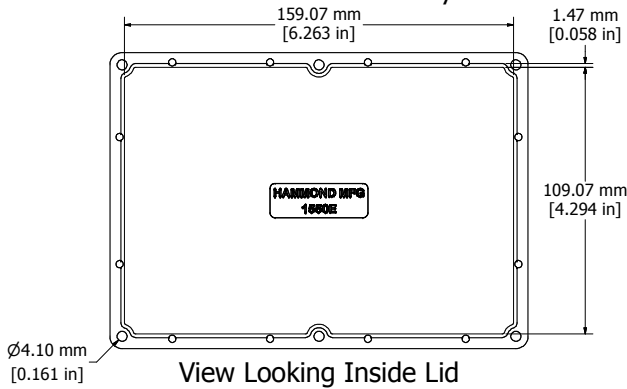


SECTION B-B

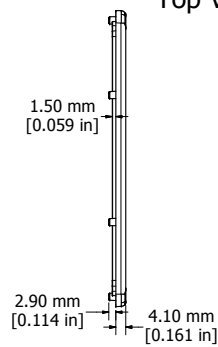
Side View of Assembly



Top View Looking Inside Box



View Looking Inside Lid



Enclosures can be Factory Modified (Milling, Drilling, Printing etc.)
Contact Factory mjm@hammondmfg.com for quotes
Solid models of this enclosure available in STEP or IGES.

| NOTE | |
|---|--|
| Purchased assembly includes box, lid, and 6 cover screws. | |
| Box and lid are made from Diecast Aluminum Alloy. | |
| EVA Foam Gasket supplied with Liquid Resistant Enclosures | |

| PART NUMBERS | |
|--|-------------|
| 1550F Enclosure | |
| Unfinished | 1550F |
| Black Textured Polyester Powder Paint | 1550FBK |
| 1550WF Liquid Resistant Enclosure (Silicon Factory Installed Gasket) | |
| Unfinished | 1550WF |
| Black Textured Polyester Powder Paint | 1550WFBK |
| Accessories | |
| Recommended Torque: 75 ozf.in / 55 cN.m | |
| Unfinished Cover Screws (Pkg 100) [M3.5 x 0.6 18-8 SS] | 1550MS100 |
| Black Cover Screws (Pkg 100) [M3.5 x 0.6 18-8 SS] | 1550MS100BK |

