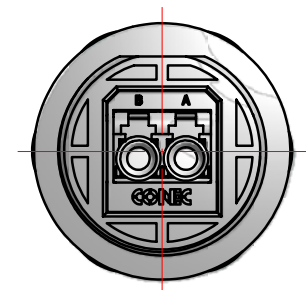
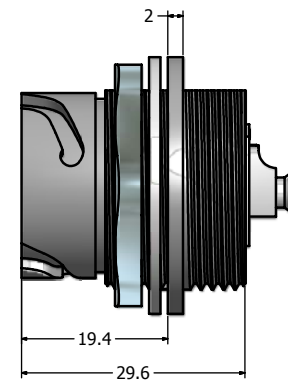
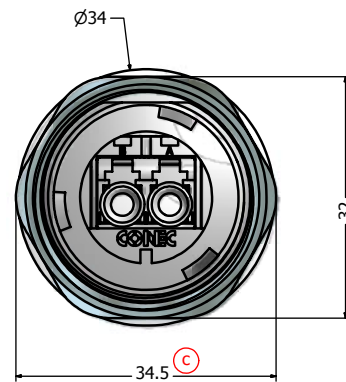


Recommended Panel Cutout (C)



**Notes:**

- Material and Finish:
  - Receptacle Housing: Polyester (Black); UL94 V-0
  - Panel Nut: Brass, Finish: Nickel Plated
  - Panel Gasket: Silicone, Color: White
  - Duplex LC Adaptor Assembly:
    - Housing: Mod. PPO, UL94 V-0, Color: **SM Blue/MM Beige/APC SM Green (B)**
    - Alignment Sleeves: SM Ceramic/MM Phosphor Bronze
    - Dust Cap: PP, Color: Neutral transparent
    - Operating Temperature: -40°C to +85°C
- Connector can be front or rear mounted to a maximum panel thickness of 3.2mm.
- IP67 rated when covered or fully mated with the appropriate mating connector
- RoHS compliant

Description	Part Number
Single Mode (SM)	17-300010
Multi Mode (MM)	17-300020
(C) APC Single Mode (APC SM)	17-300170

Directive 2002/95/EC RoHS Compliant

THIS DRAWING MAY NOT BE COPIED, OR REPRODUCED IN ANY WAY AND MAY NOT BE PASSED ON TO A THIRD PARTY WITHOUT WRITTEN PERMISSION. OWNERSHIP AND COPYRIGHT OF CONEC CORPORATION <b>DO NOT ALTER CAD DRAWING BY HAND</b>	Customer:			Tolerance Unless otherwise specified			Scale: 1.5:1	Dim. in mm		
	Name	Title	Approval Date	0 PLC ±0.30	1 PLC ±0.20		Autodesk Inventor	Material: See Notes		
				2 PLC ±0.10	3 PLC ±0.05	2008	Date	Name	Title: IP67 Industrial Duplex LC Receptacle Assembly Kit Plastic Version	
				ANGLES ±1°		Draw.	Jun. 06	Vincent Ke		
						Appd.	Jun. 06	J. Chaudry		
					Rev.	Changes	Date	Name	Drawing No.: 17K1A002	DIN A3
									Part No.: SEE PART NUMBER TABLE	Sheet 1/1

