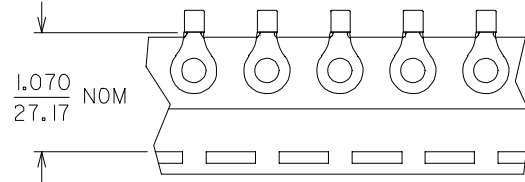
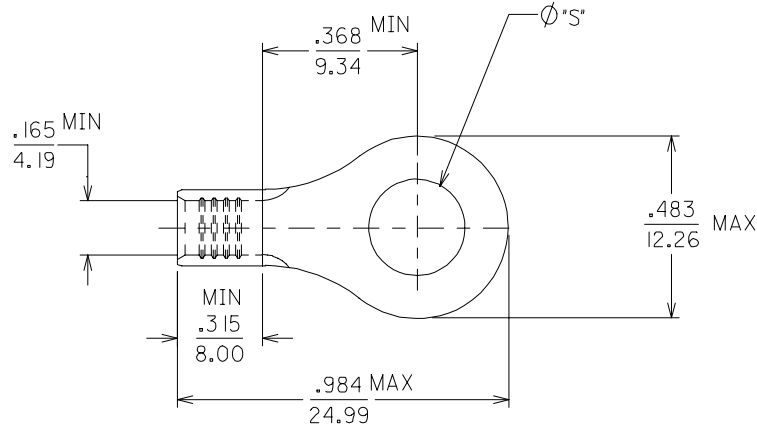


MATERIAL NUMBER	ALTERNATE NUMBER	Ø" S"	PACKAGING
191930143	D-350-06	.146	LOOSE PIECE
191930146	D-350-08	.173	
191930149	D-350-10	.198	
191930152	D-350-14	.265	
191930157	D-350-56	.328	
191930145	D-350-06T	.146	TAPE PARTS
191930148	D-350-08T	.173	
191930151	D-350-10T	.198	
191930155	D-350-14T	.265	
191930158	D-350-56T	.328	

(B)



- (B) 1. MATERIAL: TERMINAL: COPPER  
.045/1.14 THICK REF.  
PLATING: ELECTRO TIN
- (B) 2. ALL DIMENSIONS = INCHES / MM
- (B) 3. PART IS ROHS COMPLIANT.

**REDRAWN & REVISED**  
 EC NO: ETC2007-0019  
 DRW: JHLE 2007/08/22  
 CHKD: JMACNEIL 2007/09/11  
 APPR: JMACNEIL 2007/09/19

QUALITY SYMBOLS

	GENERAL TOLERANCES (UNLESS SPECIFIED)	
	mm	INCH
4 PLACES	± .005	± .0005
3 PLACES	± .005	± .0005
2 PLACES	± 0.13	± .01
1 PLACE	± 0.25	± .01
ANGULAR		± 1/2°

DIMENSION STYLE	
IN/MM	
DRAWN BY	DATE
EDB	2001/01/23
CHECKED BY	DATE
HEB	2001/01/23
APPROVED BY	DATE
RWD	2001/01/23

SCALE	DESIGN UNITS	THIRD ANGLE PROJECTION
4:1	INCH	
RING TONGUE TERMINAL, 8 AWG		
MOLEX INCORPORATED		
MATERIAL NO.	DOCUMENT NO.	SHEET NO.
SEE CHART	SD-19193-016	1 OF 1