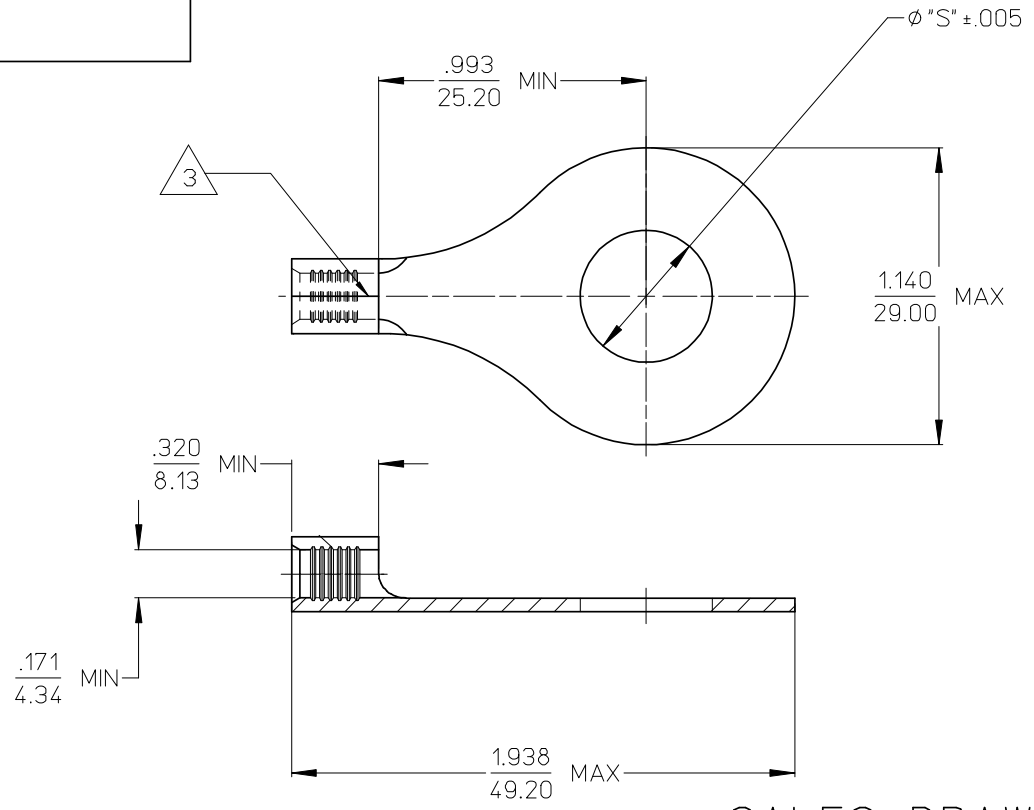


MATERIAL NUMBER	ENGINEERING NUMBER	STUD SIZE	"S"	PACKAGING
191930191	D-353-14	1/4	.256	LOOSE PIECE
191930194	D-353-56	5/16	.328	
191930193	D-353-38	3/8	.390	
191930196	D-353-76	7/16	.453	
191930190	D-353-12	1/2	.515	
191930195	D-353-58	5/8	.656	
191930192	D-353-34	3/4	.781	



SALES DRAWING

- NOTES:  
 1. MATERIAL: COPPER  
 PLATING: ELECTROPLATE TIN  
 2. ALL DIMENSIONS IN INCHES/(MM).  
 3. BRAZED SEAM.  
 4. PART IS ROHS COMPLIANT.

RELEASE SALES DWG EEC NO: WNA 2008-0012 DRWN: ETHRODAHL 2008/02/21 CHKD: JMACNEIL 2008/03/03 APPR: JMACNEIL 2008/03/03	QUALITY SYMBOLS	GENERAL TOLERANCES (UNLESS SPECIFIED)		DIMENSION STYLE	SCALE	DESIGN UNITS	THIRD ANGLE PROJECTION		
	$\nabla=0$ $\nabla=0$	mm	INCH	IN/MM	2:1	INCH			
		4 PLACES ±---	±---	DRAWN BY	DATE	TITLE			
		3 PLACES ±---	±.005	ETHRODAHL	2008/02/21	RING TONGUE TERMINAL 8 AWG			
	2 PLACES ±0.13	±.01	CHECKED BY	DATE	MATERIAL NO.				
	1 PLACE ±0.25	±---	JMACNEIL	2008/02/21	MOLEX INCORPORATED				
	ANGULAR ±---°		APPROVED BY	DATE	DOCUMENT NO.		SHEET NO.		
	DRAFT WHERE APPLICABLE MUST REMAIN WITHIN DIMENSIONS		JMACNEIL	2008/02/21	SEE CHART		SD-19193-037		
			MATERIAL NO.		THIS DRAWING CONTAINS INFORMATION THAT IS PROPRIETARY TO MOLEX INCORPORATED AND SHOULD NOT BE USED WITHOUT WRITTEN PERMISSION				
			SEE CHART		1 OF 1				