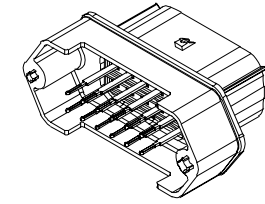
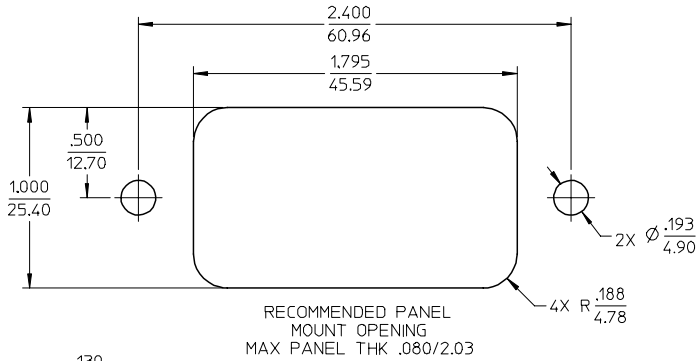
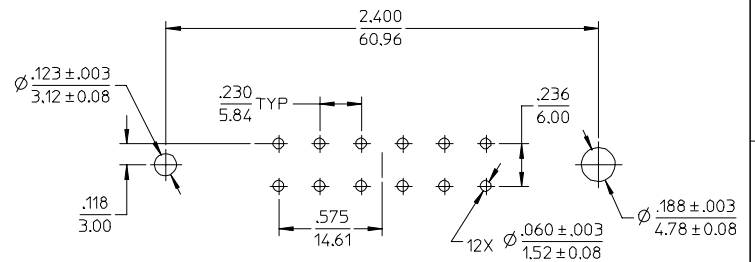
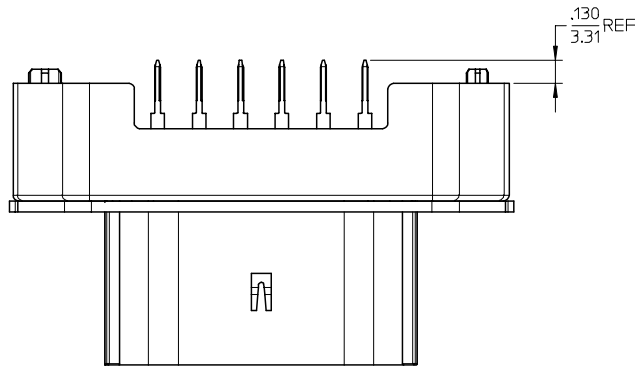


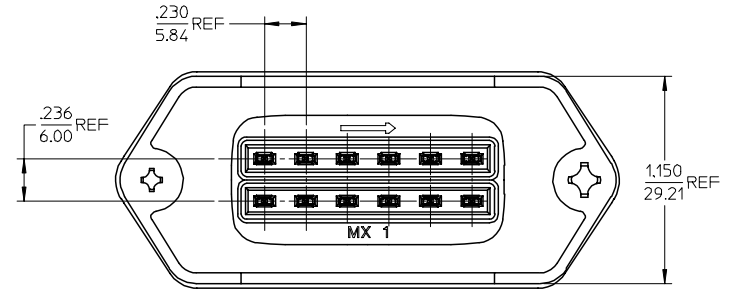
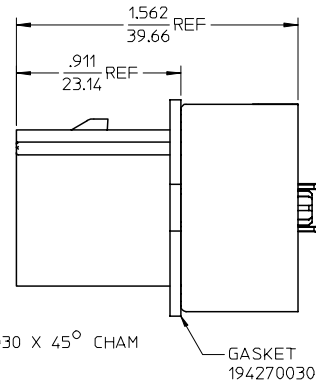
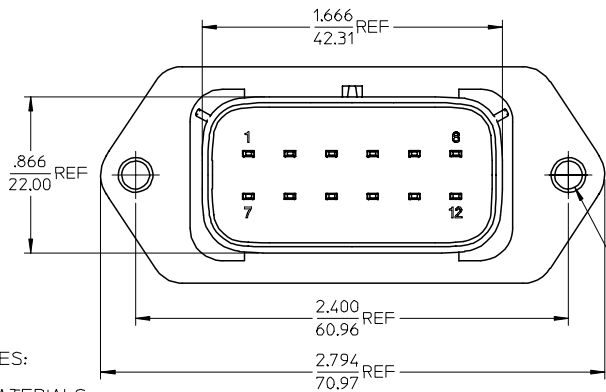
ASSEMBLY MATERIAL NUMBER	TERMINAL PLATING
194280001	TIN
194280023	TIN/GOLD



ASSEMBLED VIEW  
SCALE 1:1



RECOMMENDED PCB LAYOUT  
COMPONENT SIDE



NOTES:

- MATERIALS:  
HOUSING: POLYESTER (PBT), GLASS FILLED, UL94 V-0,  
COLOR: BLACK  
TERMINALS: COPPER ALLOY
- FINISHES: 1. TIN ONLY: 100µN TIN OVER 50µN NICKEL  
2. TIN/GOLD: 30µN SELECT GOLD (CONTACT MATING AREA),  
100µN SELECT TIN (PCB TAIL AREA) OVER 50µN NICKEL OVERALL.
- PRODUCT SPECIFICATION: PS-19428-001.
- PACKAGING SPECIFICATION: PK-19428-001.
- MATES WITH: 19418 SERIES RECEPTACLE ASSEMBLIES.
- RECOMMENDED MOUNTING HARDWARE: (2) #10 X .62/18.9 LONG PLASTIC  
THREAD CUTTING SCREWS. RECOMMENDED TORQUE 15-17 IN.-LBS.  
SUGGESTED SOURCE: ITW SHAKEPROOF INDUSTRIAL BOSSCREW OR EQUIVALENT.

REVISED EFC NO: ETC2006-0028 DRAWN: JPANLICK 2005/10/10 CHKD: JPANLICK 2005/10/11 APPR: RDEROSS 2005/10/11	DESCRIPTION	QUALITY SYMBOLS	GENERAL TOLERANCES (UNLESS SPECIFIED)	DIMENSION STYLE	SCALE	DESIGN UNITS	THIRD ANGLE PROJECTION													
		$\nabla=0$ $\nabla=0$	<table border="1"> <tr> <th></th> <th>mm</th> <th>INCH</th> </tr> <tr> <td>4 PLACES</td> <td>± .15</td> <td>± .005</td> </tr> <tr> <td>3 PLACES</td> <td>± .10</td> <td>± .005</td> </tr> <tr> <td>2 PLACES</td> <td>± 0.38</td> <td>± .015</td> </tr> <tr> <td>1 PLACE</td> <td>± .15</td> <td>± .005</td> </tr> </table>		mm	INCH	4 PLACES	± .15	± .005	3 PLACES	± .10	± .005	2 PLACES	± 0.38	± .015	1 PLACE	± .15	± .005	IN/MM	2:1
	mm	INCH																		
4 PLACES	± .15	± .005																		
3 PLACES	± .10	± .005																		
2 PLACES	± 0.38	± .015																		
1 PLACE	± .15	± .005																		
			ANGULAR ± 1 °	DRAWN BY DMYRICK	DATE 04/07/07	TITLE 12-WAY STRAIGHT HEADER ASSEMBLY, LONG VERSION														
			DRAFT WHERE APPLICABLE MUST REMAIN WITHIN DIMENSIONS	CHECKED BY JPANLICK	DATE 04/07/07	MATERIAL NO. SD-19428-015														
				APPROVED BY RDEROSS	DATE 04/07/07	SHEET NO. 1 OF 1														
				THIS DRAWING CONTAINS INFORMATION THAT IS PROPRIETARY TO MOLEX INCORPORATED AND SHOULD NOT BE USED WITHOUT WRITTEN PERMISSION																