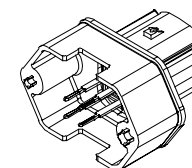
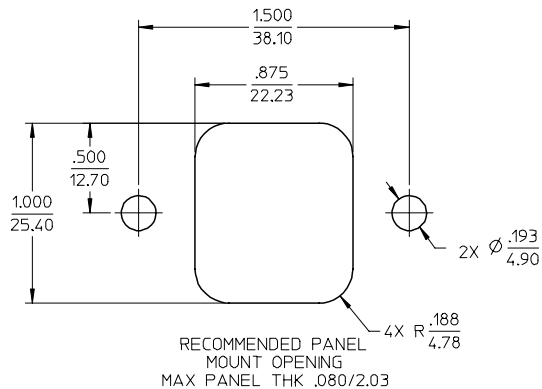
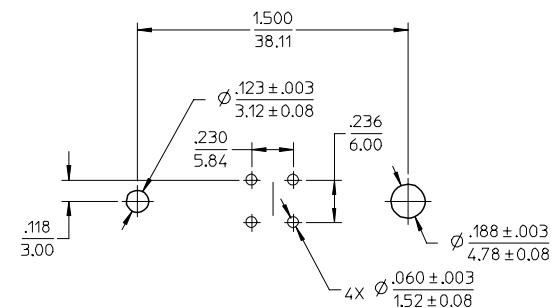
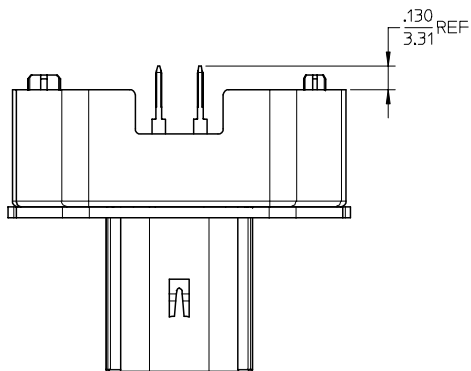


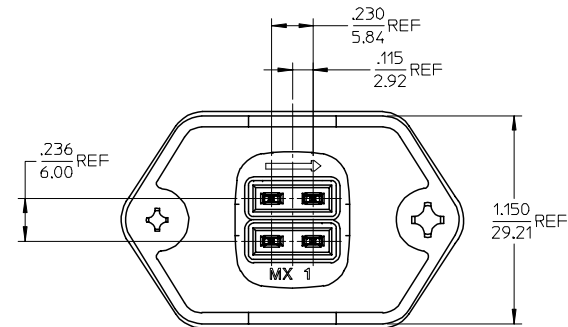
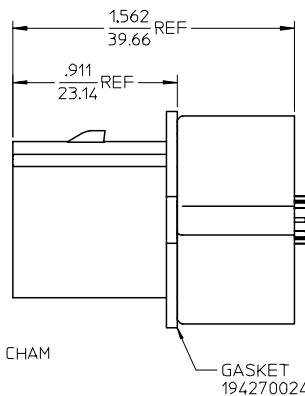
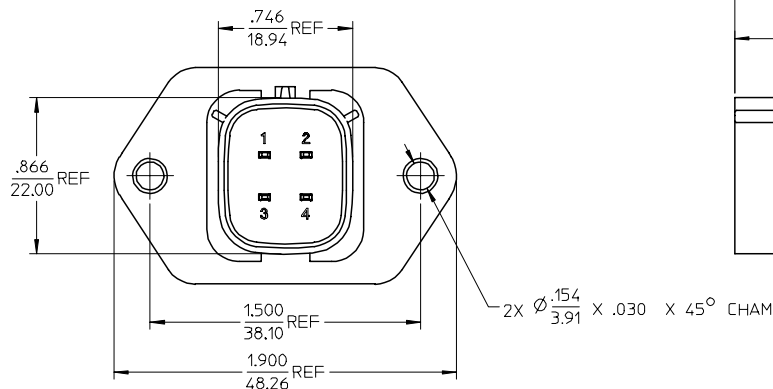
ASSEMBLY MATERIAL NUMBER	TERMINAL PLATING
194280006	TIN
194280019	TIN/GOLD



ASSEMBLED VIEW
SCALE 1:1



RECOMMENDED PCB LAYOUT
COMPONENT SIDE



NOTES:

- MATERIALS:
HOUSING: POLYESTER (PBT), GLASS FILLED, UL94 V-0,
COLOR: BLACK
TERMINALS: COPPER ALLOY
- FINISHES: 1. TIN ONLY: 100µM TIN OVER 50µM NICKEL
2. TIN/GOLD: 30µM SELECT GOLD (CONTACT MATING AREA),
100µM SELECT TIN (PCB TAIL AREA) OVER 50µM NICKEL OVERALL.
- PRODUCT SPECIFICATION: PS-19428-001.
- PACKAGING SPECIFICATION: PK-19428-001.
- MATES WITH: 19418 SERIES RECEPTACLE ASSEMBLIES.
- RECOMMENDED MOUNTING HARDWARE: (2) #10 X .62/18.9 LONG PLASTIC
THREAD CUTTING SCREWS. RECOMMENDED TORQUE 15-17 IN.-LBS.
SUGGESTED SOURCE: ITW SHAKEPROOF INDUSTRIAL BOSSCREW OR EQUIVALENT.

REVISED FC NO: ETC2006-0028 2005/10/10 DRAWN: JPAWLICK 2005/10/11 CHKD: JPAWLICK 2005/10/11 APPR: RDEROSS 2005/10/11	DESCRIPTION	QUALITY SYMBOLS	GENERAL TOLERANCES (UNLESS SPECIFIED)	DIMENSION STYLE	SCALE	DESIGN UNITS	THIRD ANGLE PROJECTION	
		▽=0	mm INCH	IN/MM	2:1	INCH	☉	
		▽=0	4 PLACES ± --- ± ---	DRAWN BY DATE	DATE	TITLE	4-WAY STRAIGHT HEADER ASSEMBLY, LONG VERSION	
			3 PLACES ± --- ± .015	CHECKED BY DATE	DATE			
		2 PLACES ± 0.38 ± ---	JPAWLICK 04/07/01	04/07/01				
		1 PLACE ± --- ± ---	APPROVED BY DATE	DATE				
		ANGULAR ± 1 °	RDEROSS 04/07/01	04/07/01				
		DRAFT WHERE APPLICABLE MUST REMAIN WITHIN DIMENSIONS	MATERIAL NO.	SEE CHART	DOCUMENT NO.	MOLEX INCORPORATED		
					SD-19428-011	SHEET NO. 1 OF 1		
					THIS DRAWING CONTAINS INFORMATION THAT IS PROPRIETARY TO MOLEX INCORPORATED AND SHOULD NOT BE USED WITHOUT WRITTEN PERMISSION			