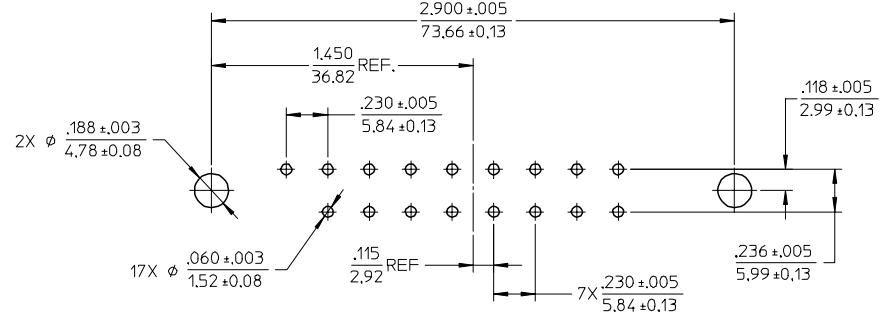
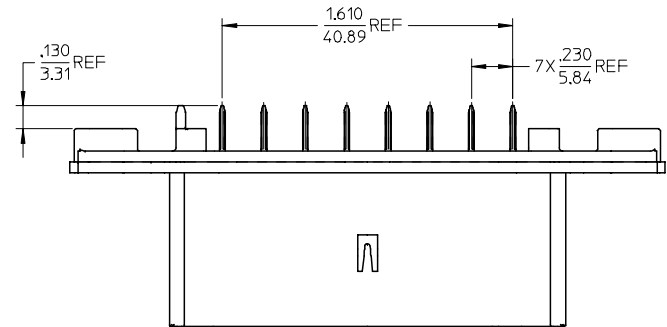
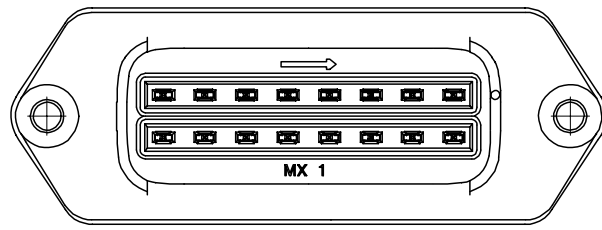
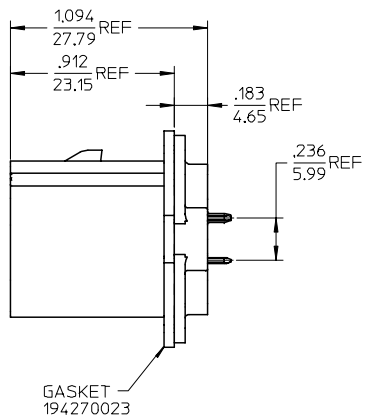
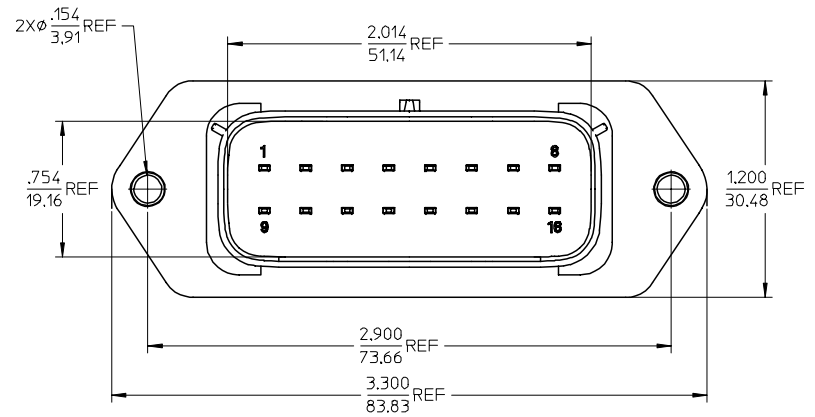


RECOMMENDED PANEL CUTOUT
MAX PANEL THICKNESS .080/2.03



RECOMMENDED PCB LAYOUT
COMPONENT VIEW
TOLERANCES ARE NON-ACCUMULATIVE



MATERIAL NUMBER	TERMINAL PLATING
194280016	TIN
194280032	SELECT GOLD/TIN

- NOTES:
- MATERIALS:
HOUSING: POLYESTER (PBT), GLASS FILLED, UL94 V-0,
COLOR: BLACK
TERMINALS: COPPER ALLOY
 - FINISHES: 1. TIN ONLY: 100µN TIN OVER 50µN NICKEL
2. TIN/GOLD: 30µN SELECT GOLD (CONTACT MATING AREA),
100µN SELECT TIN (PCB TAIL AREA) OVER 50µN NICKEL OVERALL.
 - PRODUCT SPECIFICATION: PS-19428-001.
 - PACKAGING SPECIFICATION: PK-19428-002.
 - MATES WITH: 19418 SERIES RECEPTACLE ASSEMBLIES.

PRODUCTION RELEASE EC NO: ETC2005-0213 DRWN: JPAMLCK 2005/06/10 CHKD: JPAMLCK 2005/06/14 APPR: RDEROSS 2005/06/14	QUALITY SYMBOLS 	GENERAL TOLERANCES (UNLESS SPECIFIED)		DIMENSION STYLE IN/MM		SCALE 2:1	DESIGN UNITS INCH	THIRD ANGLE PROJECTION	
		4 PLACES ± --- ± --- 3 PLACES ± --- ± .015 2 PLACES ± 0.38 ± --- 1 PLACE ± --- ± --- ANGULAR ± 1°	DRAWN BY BRUPERT DATE 04/06/16	CHECKED BY DATE 04/06/16	TITLE 16-WAY STRAIGHT HEADER ASSEMBLY, SHORT VERSION				
		APPROVED BY RDEROSS DATE 04/06/16			MATERIAL NO. SEE CHART			DOCUMENT NO. SD-19428-008	SHEET NO. 1 OF 1
		DRAFT WHERE APPLICABLE MUST REMAIN WITHIN DIMENSIONS			THIS DRAWING CONTAINS INFORMATION THAT IS PROPRIETARY TO MOLEX INCORPORATED AND SHOULD NOT BE USED WITHOUT WRITTEN PERMISSION			MOLEX INCORPORATED	