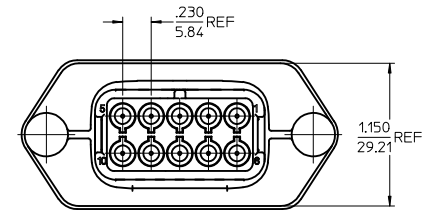
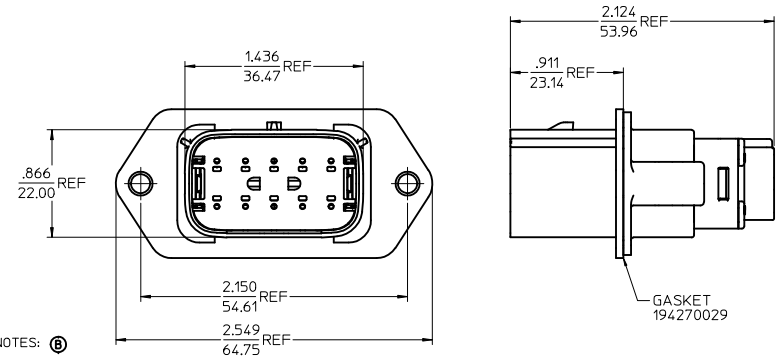
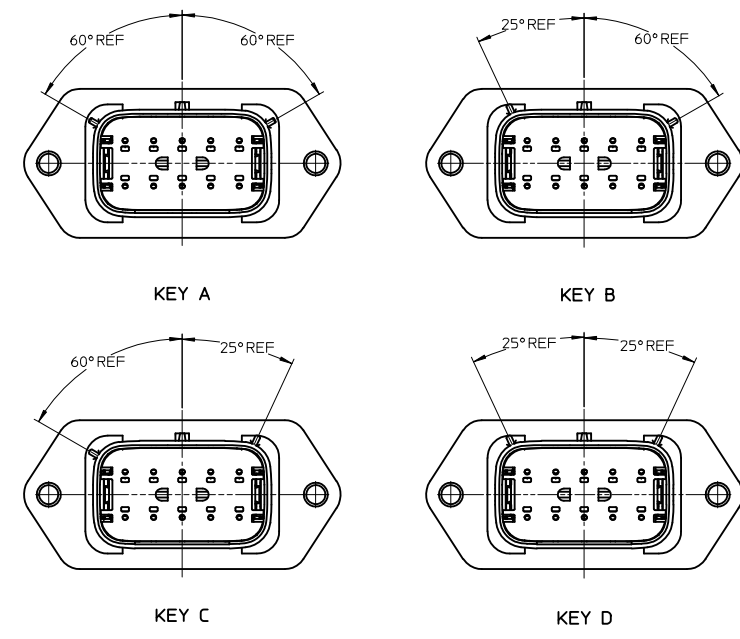
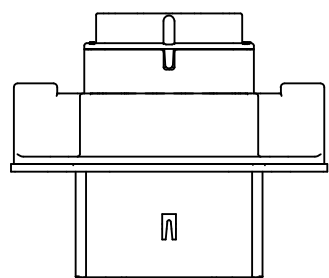
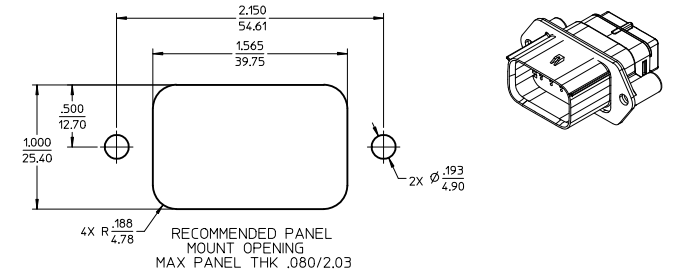


MATERIAL NUMBER	WIRE GAGE	GASKET	KEYING OPTION	COLOR
194351011	16-14	YES	A	BLACK
194351012	22-18	YES	A	BLACK
194351013	16-14	NO	A	BLACK
194351014	22-18	NO	A	BLACK
194351016	16-14	YES	B	GRAY
194351017	22-18	YES	B	GRAY
194351018	16-14	NO	B	GRAY
194351019	22-18	NO	B	GRAY
194351021	16-14	YES	C	BROWN
194351022	22-18	YES	C	BROWN
194351023	16-14	NO	C	BROWN
194351024	22-18	NO	C	BROWN
194351026	16-14	YES	D	GREEN
194351027	22-18	YES	D	GREEN
194351028	16-14	NO	D	GREEN
194351029	22-18	NO	D	GREEN



- NOTES: (B)
- MATERIALS:  
HOUSING: POLYESTER (PBT), GLASS FILLED, UL94 V-0,  
COLOR: SEE CHART.  
SEAL: SILICONE RUBBER.  
GASKET: EPDM RUBBER.
  - PRODUCT SPECIFICATION: PS-19417-001.
  - PACKAGING SPECIFICATION: PK-19435-001.  
GASKETS, IF REQUIRED FOR THE ASSEMBLIES,  
ARE BULK PACKAGED IN A SEPARATE BAG.
  - MATES WITH: 19418 SERIES RECEPTACLE ASSEMBLIES.
  - USE CONNECTOR WITH MALE CRIMP TERMINAL: SERIES 19417.
  - RECOMMENDED MOUNTING HARDWARE: 12#10 X .62/15.8 LONG PLASTIC  
THREAD CUTTING SCREWS, RECOMMENDED TORQUE 15-17 IN.-LBS.  
SUGGESTED SOURCE: ITW SHAKEPROOF INDUSTRIAL BOSSCREW OR EQUIVALENT.

<b>UPDATE NOTES</b> EC NO: IFC2012-0303 DRAWN: JMW/ENG 2011/10/28 CHKD: [ ] APPROV: JLT/US 2012/02/28	<b>QUALITY SYMBOLS</b> ▽=0 ▽=0	<b>GENERAL TOLERANCES (UNLESS SPECIFIED)</b> <table border="1"> <thead> <tr> <th></th> <th>mm</th> <th>INCH</th> </tr> </thead> <tbody> <tr> <td>4 PLACES</td> <td>± .15</td> <td>± .005</td> </tr> <tr> <td>3 PLACES</td> <td>± .10</td> <td>± .005</td> </tr> <tr> <td>2 PLACES</td> <td>± 0.38</td> <td>± .015</td> </tr> <tr> <td>1 PLACE</td> <td>± .15</td> <td>± .005</td> </tr> </tbody> </table>		mm	INCH	4 PLACES	± .15	± .005	3 PLACES	± .10	± .005	2 PLACES	± 0.38	± .015	1 PLACE	± .15	± .005	<b>DIMENSION STYLE</b> IN/MM	<b>SCALE</b> 2:1	<b>DESIGN UNITS</b> INCH	THIRD ANGLE PROJECTION
		mm	INCH																		
4 PLACES	± .15	± .005																			
3 PLACES	± .10	± .005																			
2 PLACES	± 0.38	± .015																			
1 PLACE	± .15	± .005																			
<b>DRAFT WHERE APPLICABLE MUST REMAIN WITHIN DIMENSIONS</b>	<b>MATERIAL NO.</b> SD-19435-010	<b>DOCUMENT NO.</b> SD-19435-010	<b>TITLE</b> 10 WAY SEALED PLUG PANEL MOUNT ASSEMBLY, 22-14 AWG, A-D POLARIZATION	<b>DATE</b> 02/09/05 02/10/05 02/11/05	<b>DRAWN BY</b> JPWLICK1	<b>CHECKED BY</b> JPWLICK1	<b>APPROVED BY</b> RDEROSS	<b>MOLEX INCORPORATED</b>	<b>SHEET NO.</b> 1 OF 1												

THIS DRAWING CONTAINS INFORMATION THAT IS PROPRIETARY TO MOLEX INCORPORATED AND SHOULD NOT BE USED WITHOUT WRITTEN PERMISSION