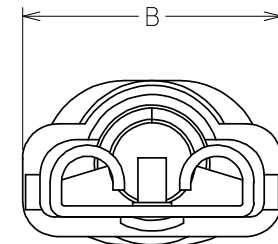
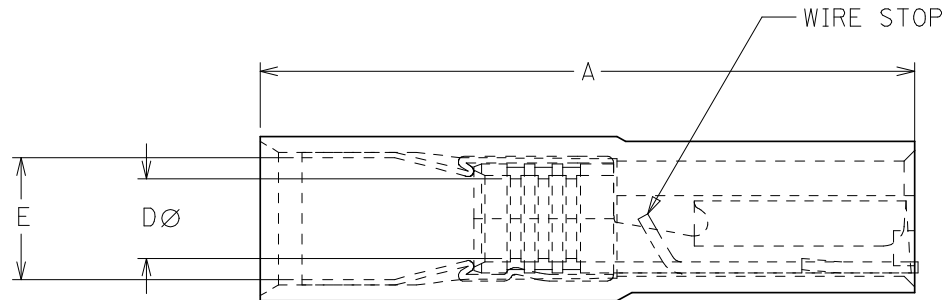
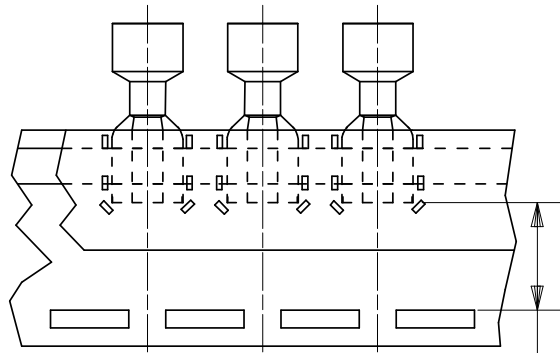
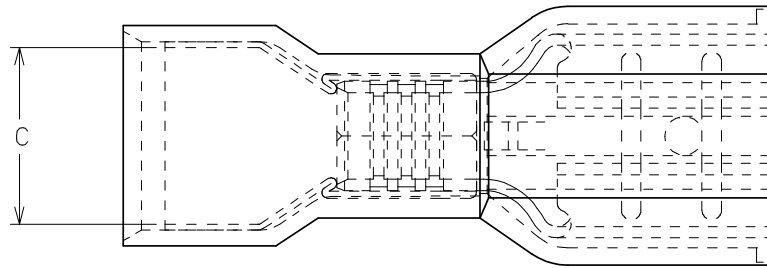
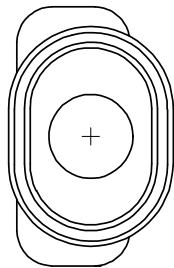


PART NO.	CARRIER STYLE	TAB SIZE	COLOR	A MAX	B MAX	C MIN	D MIN	E MWID	H NOMINAL
19600-1300	LOOSE PIECE	.250 X .032	YELLOW	.960/24.38	.385/9.78	.245/6.22	.112/2.84	.170/4.31	N/A
19600-1302	LOOSE PIECE	.187 X .020	YELLOW	.880/22.36	.330/8.39	.245/6.22	.112/2.84	.170/4.31	
19600-1304	LOOSE PIECE	.187 X .032	YELLOW	.880/22.36	.330/8.39	.245/6.22	.112/2.84	.170/4.31	
19600-1306	TAPE MOUNT	.250 X .032	YELLOW	.960/24.38	.385/9.78	.245/6.22	.112/2.84	.170/4.31	.56/14.2 (D)
19600-1307	TAPE MOUNT	.187 X .020	YELLOW	.880/22.36	.330/8.39	.245/6.22	.112/2.84	.170/4.31	.64/16.3
19600-1308	TAPE MOUNT	.187 X .032	YELLOW	.880/22.36	.330/8.39	.245/6.22	.112/2.84	.170/4.31	



PARTS ON TAPE  
(SCALE 2:1) (D)

1. TERMINAL MATERIAL: BRASS
2. TERMINAL PLATING: TIN
3. INSULATION MATERIAL: NYLON
4. MWID= MAXIMUM WIRE INSULATION DIAMETER.
5. PARTS TO ACCEPT TWO 22, 20, 18 & 16 OR A COMBINATION OF ANY TWO OF THESE WIRE GAUGES.
6. PART IS RoHS COMPLIANT.

<b>ADD TAPE DIAG, DIMS</b> EC NO: WNA2008-0049 DRAWN:ETHRODAHL 2008/02/14 CHKD:JMACNELL 2008/03/11 APPR:JMACNELL 2008/03/11	<b>QUALITY SYMBOLS</b> ▼=0 ▽=0	<b>GENERAL TOLERANCES (UNLESS SPECIFIED)</b>		<b>DIMENSION STYLE</b> IN/MM		SCALE 10:1	DESIGN UNITS INCH	THIRD ANGLE PROJECTION	
		4 PLACES ±--- ±---	HEB	DRAWN BY DATE		TITLE			
		3 PLACES ±--- ±.005	RWD	CHECKED BY DATE		AVIKRIMP FIQD OVAL EXP. TWO(22,20,18, & 16 AWG) .187 & .250 TAB WIDTH			
		2 PLACES ±0.13 ±.01	RWD	APPROVED BY DATE		MOLEX INCORPORATED			
1 PLACE ±0.25 ±---	RWD	ANGULAR ±---°		MATERIAL NO.		DOCUMENT NO.		SHEET NO.	
DRAFT WHERE APPLICABLE MUST REMAIN WITHIN DIMENSIONS		SEE CHART		SD-19600-1300		1 OF 1			
THIS DRAWING CONTAINS INFORMATION THAT IS PROPRIETARY TO MOLEX INCORPORATED AND SHOULD NOT BE USED WITHOUT WRITTEN PERMISSION									