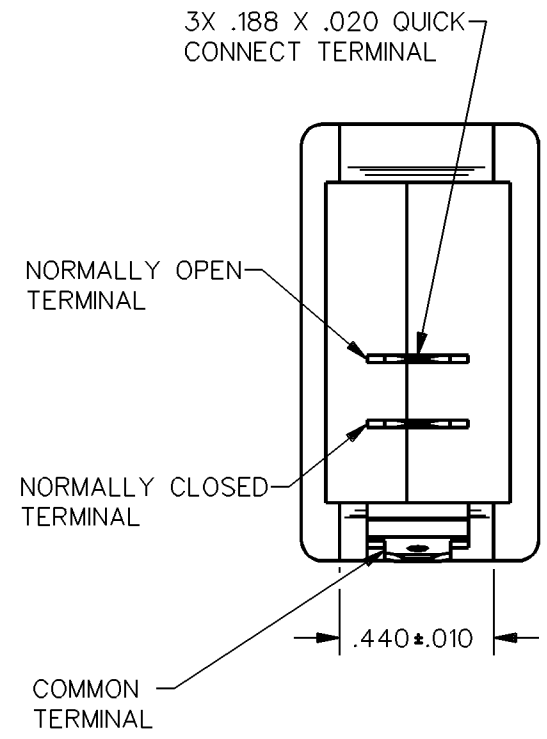
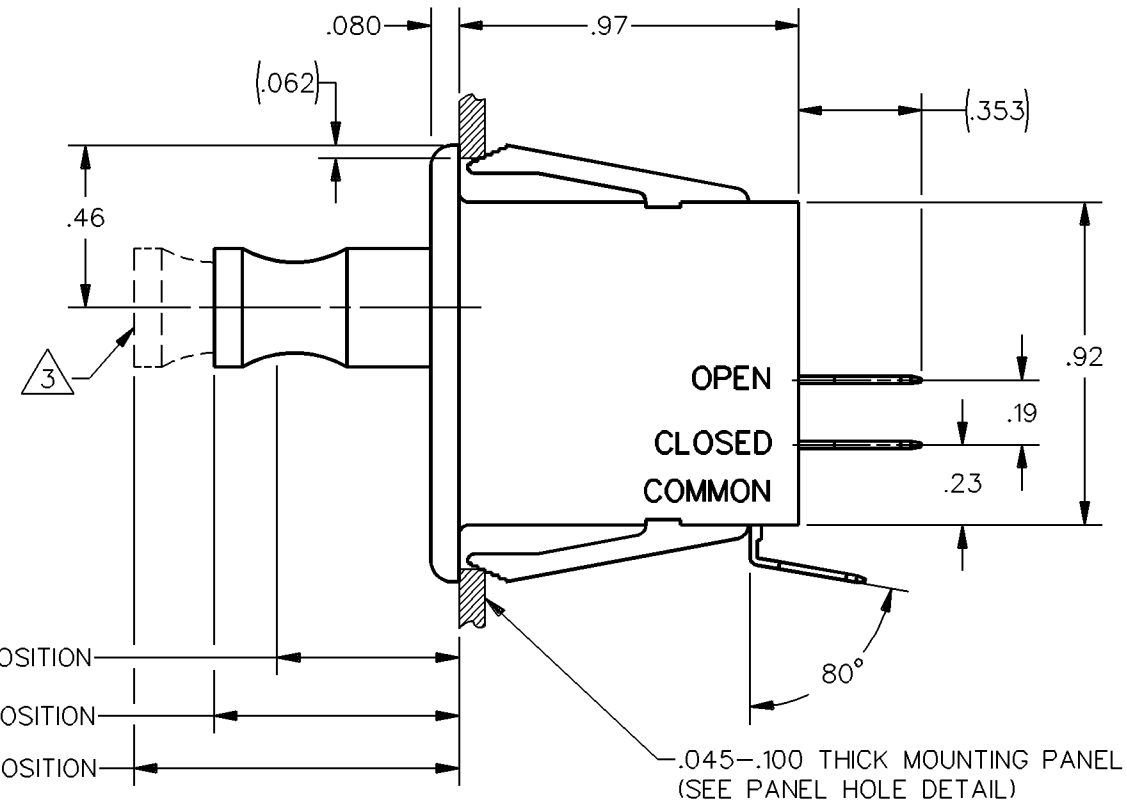
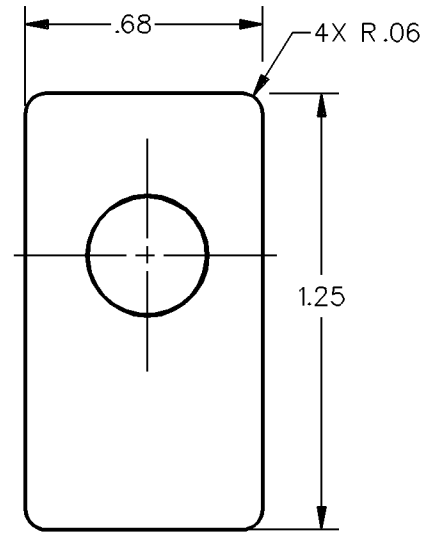
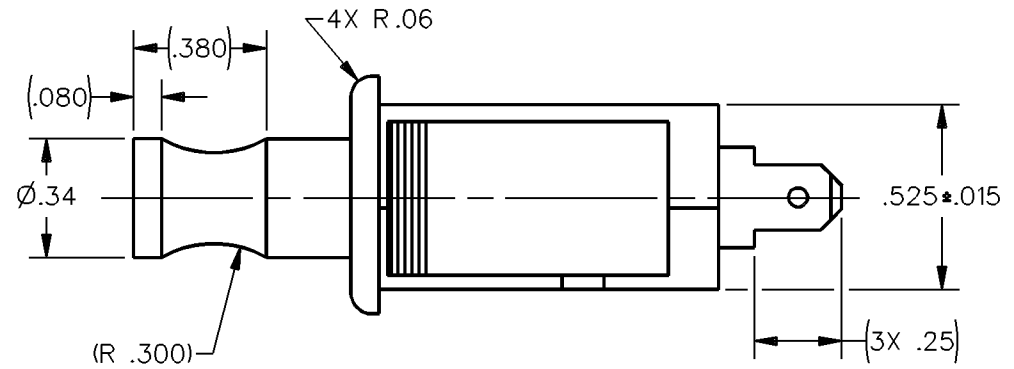
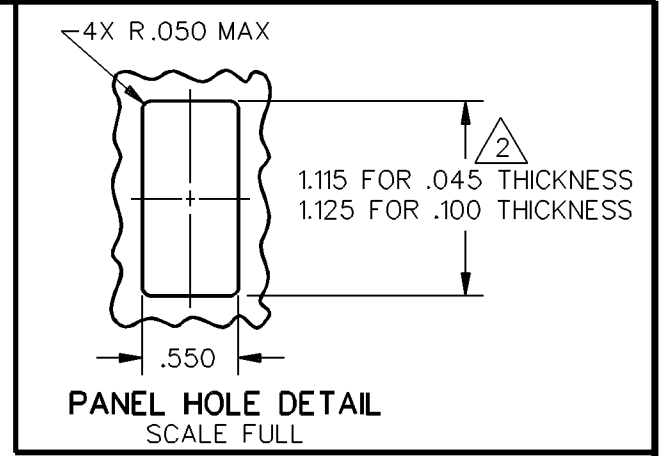


MICRO SWITCH
a Honeywell Division
FED. MFG. CODE 91929

SWITCH - BASIC

CATALOG LISTING
1DM418



.520 MAX FULL OVERTRAVEL POSITION
.700 ± .030 FREE POSITION
.930 MAX EXTENDED POSITION

CATALOG LISTING 1DM418
REPLACES RELEASE NO. PR-5296
ISSUE 4
CHECK
REVISIONS
A CO-72328
DHD 20 JUL 92
CHECK
DRAWN DDM/CAD
DHD 20 JUL 92
CHECK

THIS DRAWING COVERS A PROPRIETARY ITEM AND IS THE PROPERTY OF MICRO SWITCH, A DIVISION OF HONEYWELL. THIS DRAWING IS NOT TO BE COPIED OR USED WITHOUT THE APPROVAL OF MICRO SWITCH

THIRD ANGLE PROJECTION

SCALE 2 TO 1

DO NOT SCALE PRINT

UNLESS OTHERWISE SPECIFIED TOLERANCES ARE

ONE PLACE	(.0)	± .030
TWO PLACE	(.00)	± .015
THREE PLACE	(.000)	± .005
ANGLES		± 5°
WEIGHT		

CHARACTERISTICS
OPERATING FORCE - - - - - 15 OZ MAX

ELECTRICAL DATA
CONTACT ARRANGEMENT
S P D T
L181
10A 1/2HP 125, 250 OR 277 VAC

NOTE
1 - WHITE PLASTIC CASE AND PLUNGER
2 - NOMINAL CUTOUT DIMENSION FOR PANELS BETWEEN .045 AND .100 SHOULD BE INTERPOLATED BETWEEN 1.115 AND 1.125
3 - PUSH TO OPERATE - MOMENTARY, PULL TO OPERATE - MAINTAINED



ANSI Y14.5M-1982 APPLIES