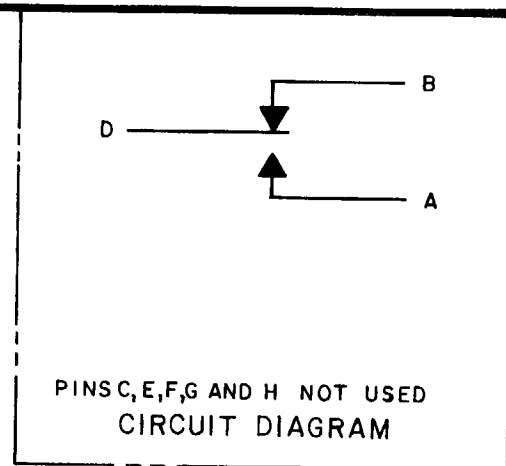
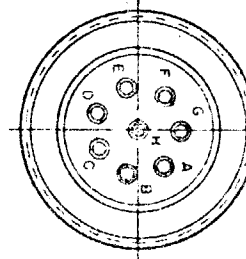
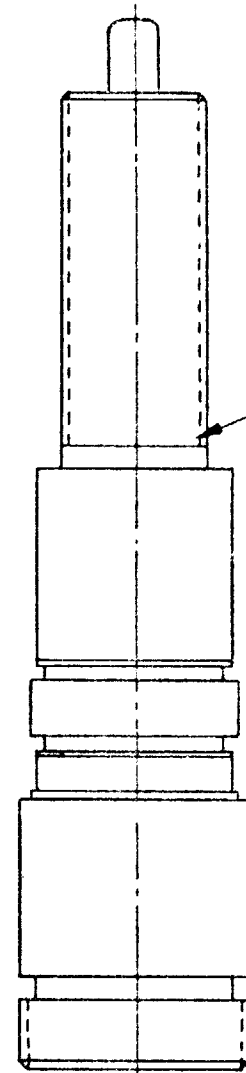
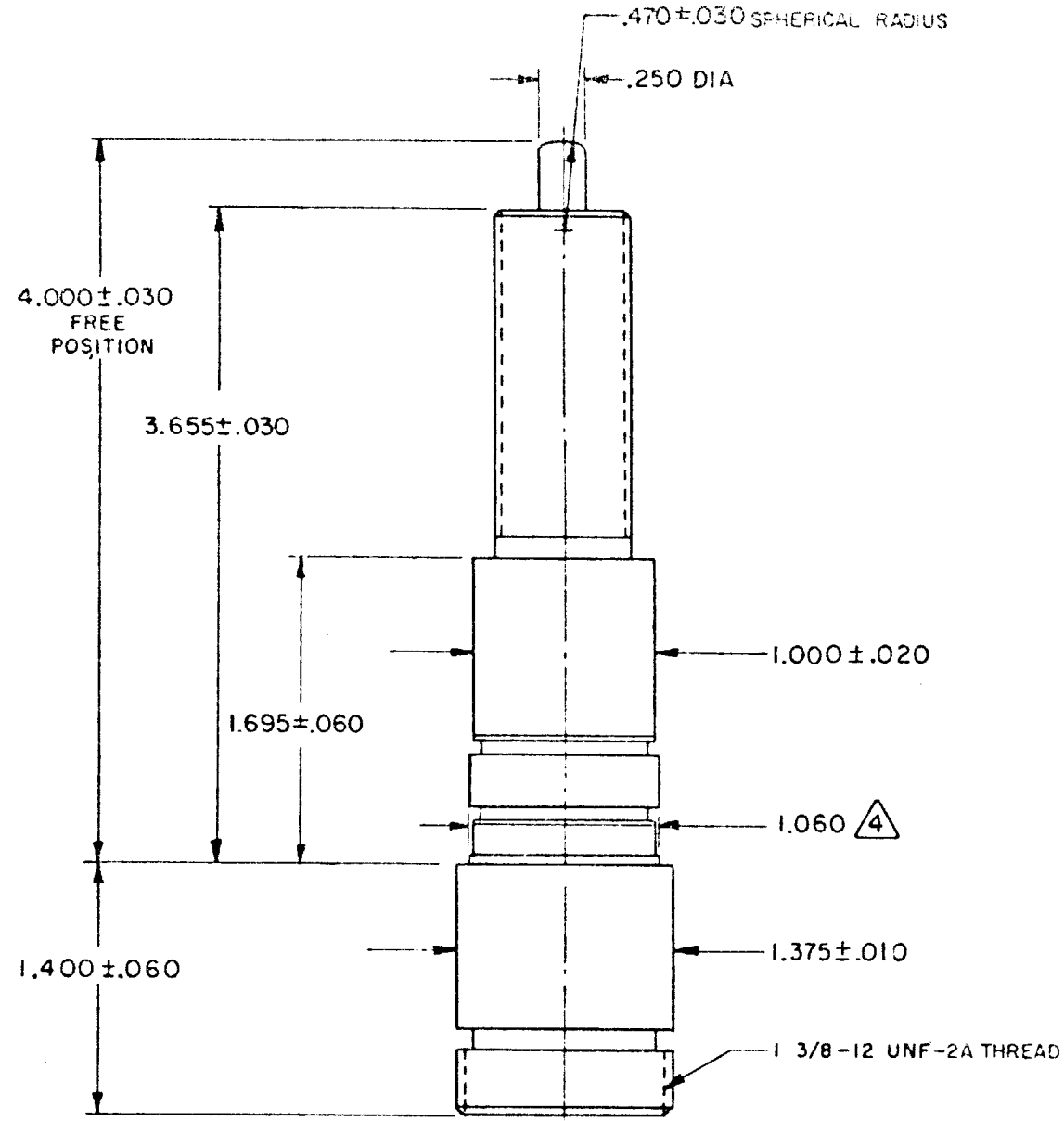


MICRO SWITCH
 FREEPORT ILLINOIS U.S.A.
 A DIVISION OF HONEYWELL
 FED. MFG. CODE 91929

SWITCH-ENCLOSED

CATALOG LISTING
1HE101 - RB



- NOTES**
- 1 - SWITCH SEALED PER MIL-S-8805 SYMBOLS
 - 2 - CIRCUIT DIAGRAM AND CATALOG LISTING 1HE101-RB PERMANENTLY MARKED ON SIDE OF HOUSING
 - 3 - ALL EXPOSED PARTS MONEL
 - 4 - $1.060 \pm .010$ TIR WITH MAJOR DIA OF $3/4-20$ THREAD
 - 5 - UNIT TO WITHSTAND 1000 PSIG HYDRO TEST 8 TO 10 MIN. WITHOUT DAMAGE TO SWITCH OR SIGNS OF LEAKAGE
 - 6 - AFTER IMMERSION FOR 8 TO 10 MIN. AT 1000 PSIG, INSULATION RESISTANCE MUST BE 100 MEGOHMS AT 500 VDC
 - 7 - SERIAL NUMBER STAMPED ON SIDE OF SWITCH

M 1HE101-RB
 DRAWING NUMBER
 5
 ISSUE
 REVISIONS
 A NEW DWG PR 7404
 TRF 1 OCT 78
 B CO 50132
 WJM 22 SEP 81
 CHECK
 CEB 12 OCT 78
 CHECK
 FO-92851-A
 DRAWN
 TRF 1 OCT 78
 CHECK
 CEB 12 OCT 78
 CHECK
 RELEASE NO. PR-7404
 REPLACES X42205-HE

THIS DRAWING COVERS A PROPRIETARY ITEM AND IS THE PROPERTY OF MICRO SWITCH, A DIVISION OF HONEYWELL. THIS DRAWING IS NOT TO BE COPIED OR USED WITHOUT THE APPROVAL OF MICRO SWITCH.

THIRD ANGLE PROJECTION

SCALE FULL	
DO NOT SCALE PRINT	
TOLERANCES	
APPLY TO DESIGN UNITS. CONVERSIONS ARE ONLY FOR REFERENCE. UNLESS NOTED, TOLERANCES ARE ±	
DIM. mm	TOL. mm/in
NO PLACES X	1/304
ONE PLACE X,X	0.4/016
TWO PLACES X,XX	0.15/006
THREE PLACES X,XXX	0.13/005
ANGLES	
DESIGN UNITS	<input type="checkbox"/> SI METRIC <input checked="" type="checkbox"/> US CUSTOMARY
RAW MATERIAL-COMMERCIAL STANDARD MICRO SWITCH STANDARDS APPLY	
DIMENSIONS ARE TO BE MET BEFORE PROTECTIVE COATINGS ARE APPLIED	
WEIGHT	

CHARACTERISTICS	ELECTRICAL DATA
OPERATING FORCE ----- 60-80 LB	CONTACT ARRANGEMENT SPDT
PRETRAVEL ----- .040 MAX	28 VDC SEA LEVEL
DIFFERENTIAL TRAVEL ----- .020 MAX	28 VDC 100,000 FT.
OVERTRAVEL ----- -.250 MIN	RES 5
	IND 3
	MOTOR 4