

H MICRO SWITCH
 FREEPORT, ILLINOIS, U.S.A.
 A DIVISION OF HONEYWELL

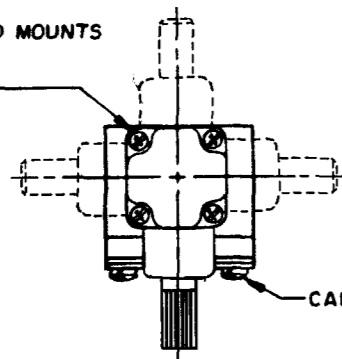
FED. MFG. CODE 91929

SWITCH - ENCLOSED

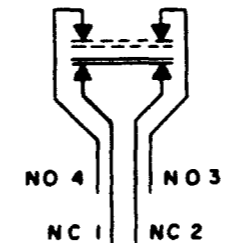
CATALOG LISTING

1LS19

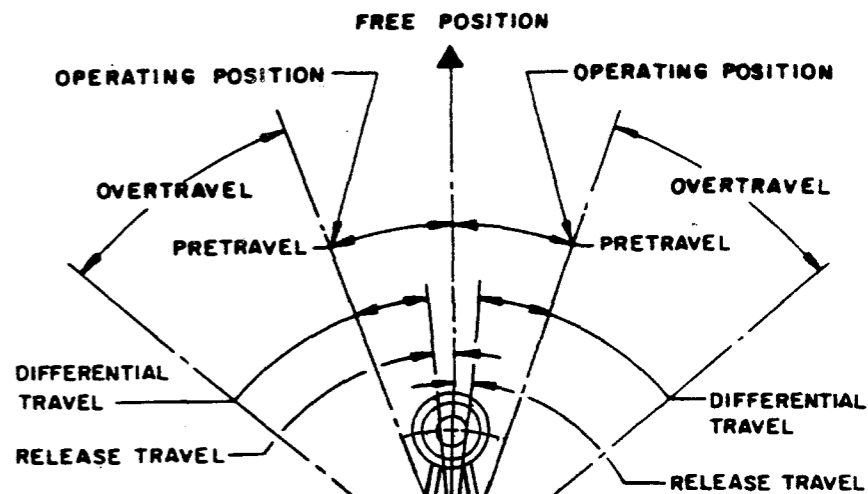
OPERATING HEAD MOUNTS
 IN ANY OF FOUR
 POSITIONS



CAPTIVE COVER SCREW (3)



CIRCUIT DIAGRAM



CATALOG LISTING
1LS19
 PAGE 1 OF 1

ISSUE
M
 20

REVISIONS
 A CO-95463-B
 DLT
 7 SEP 99
 B ECO-200178
 CSL
 5 APR 00

CHECK
 20 MAR 04
 DAW

FORMTEK
 FO-80378-003

REPLACES

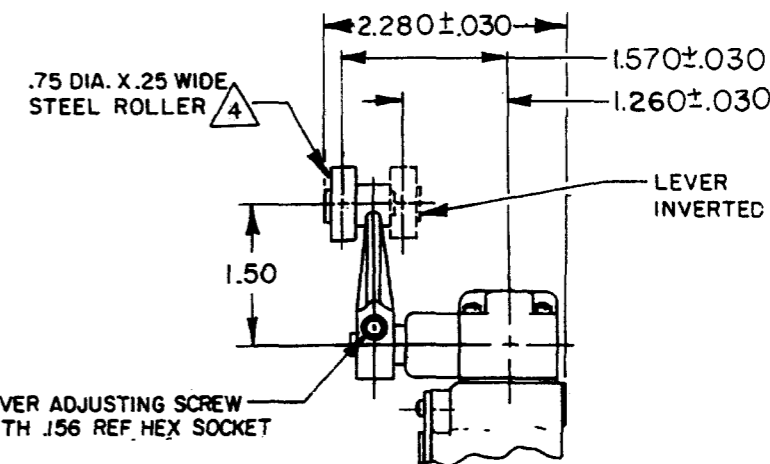
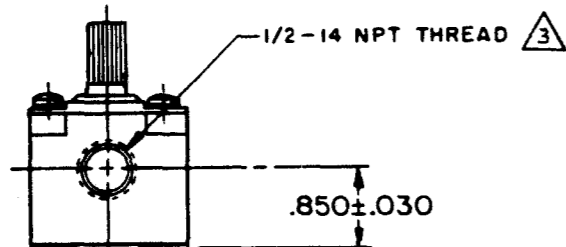
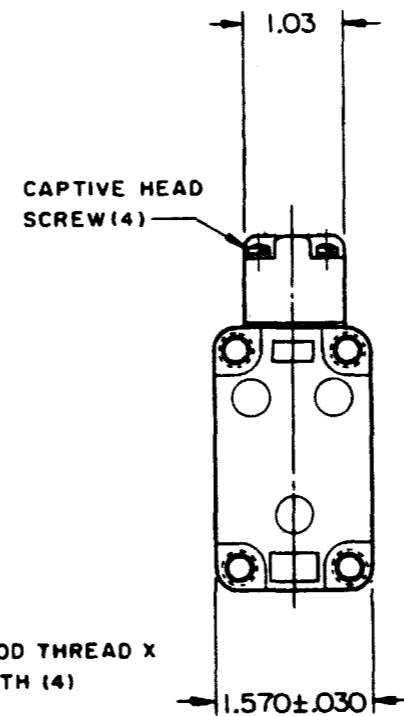
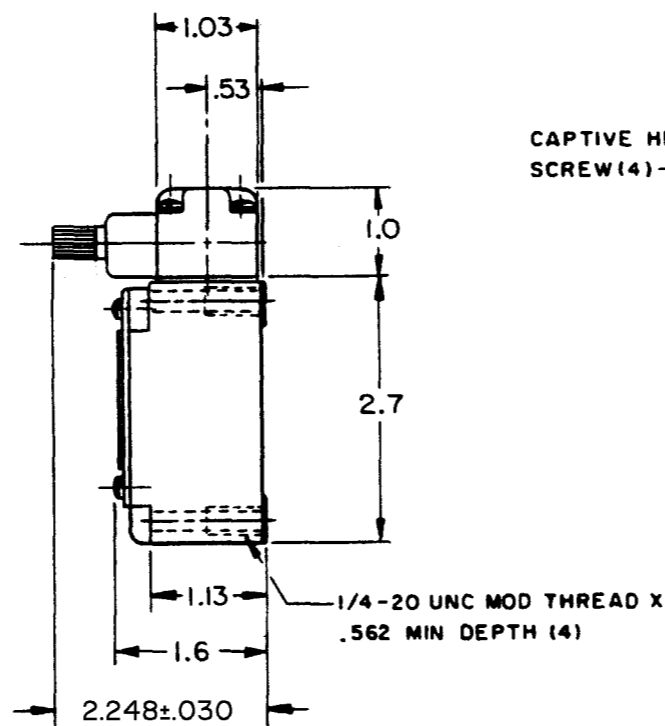
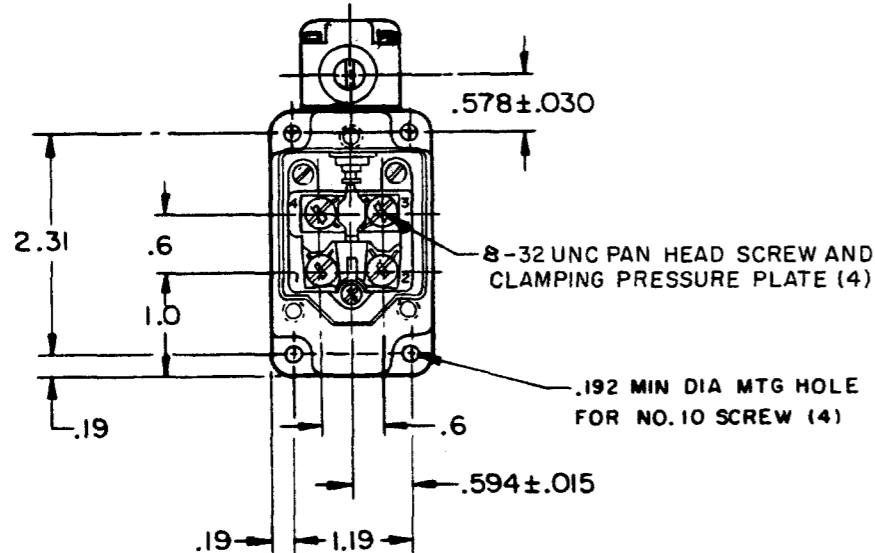
RELEASE NO.

CHECK

CHECK

CHECK

OMW 18 FEB 64



CAM TRACKING VIEW

THIS DRAWING COVERS A PROPRIETARY ITEM AND IS THE PROPERTY OF MICRO SWITCH, A DIVISION OF MINNEAPOLIS-HONEYWELL REGULATOR CO. THIS DRAWING IS NOT TO BE COPIED OR USED WITHOUT THE APPROVAL OF MICRO SWITCH.

CHARACTERISTICS	ELECTRICAL DATA
OPERATING TORQUE-----4.5 IN-LB MAX	CONTACT ARRANGEMENT (SEE CIRCUIT DIAGRAM)
FULL OVERTRAVEL TORQUE -- 6 IN-LB MAX	10A - 120, 240 OR 480 VAC
RELEASE TORQUE-----.75 IN-LB MIN	1/4 HP - 120 VAC; 1/2 HP - 240 VAC
PRETRAVEL-----5° MAX	PILOT DUTY: 600 VAC MAX
OVERTRAVEL-----30° MIN	
RELEASE TRAVEL-----0°30' MIN	
SWITCH-BASIC REPLACEMENT-----2MN8	

SCALE 1/2 TO 1
DO NOT SCALE PRINT
UNLESS OTHERWISE NOTED
DIMENSIONS ARE IN INCHES
TOLERANCES ARE:
ONE PLACE (.0) ±.030
TWO PLACE (.00) ±.015
THREE PLACE (.000) ±.008
ANGLES ±
WEIGHT

NOTES

- 1-SWITCH IS ASSEMBLED FOR ACTUATION IN BOTH DIRECTIONS BUT MAY BE ADJUSTED TO ACTUATE IN EITHER THE CLOCKWISE DIRECTION ONLY OR THE COUNTERCLOCKWISE DIRECTION ONLY
- 2-TO CONVERT SWITCH FOR ACTUATION IN EITHER THE CLOCKWISE OR COUNTERCLOCKWISE DIRECTION ONLY, REMOVE ACTUATOR HEAD AND ROTATE THE NOTCHED PLUNGER 90° TO THE RIGHT FOR CLOCKWISE ACTUATION OR 90° TO THE LEFT FOR COUNTERCLOCKWISE ACTUATION
- 3 SEAL TO BE FURNISHED BY USER
- 4 ROLLER LEVER MAY BE LOCKED IN ANY POSITION THRU 360°
- 5- LEVER FURNISHED UNASSEMBLED IN UNIT PACKING BOX