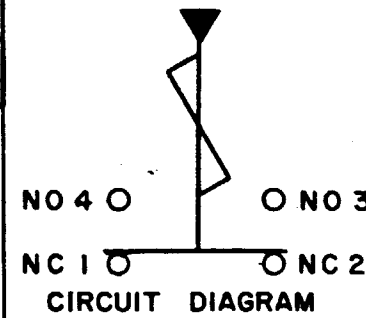


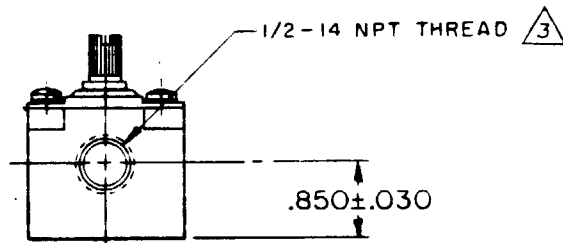
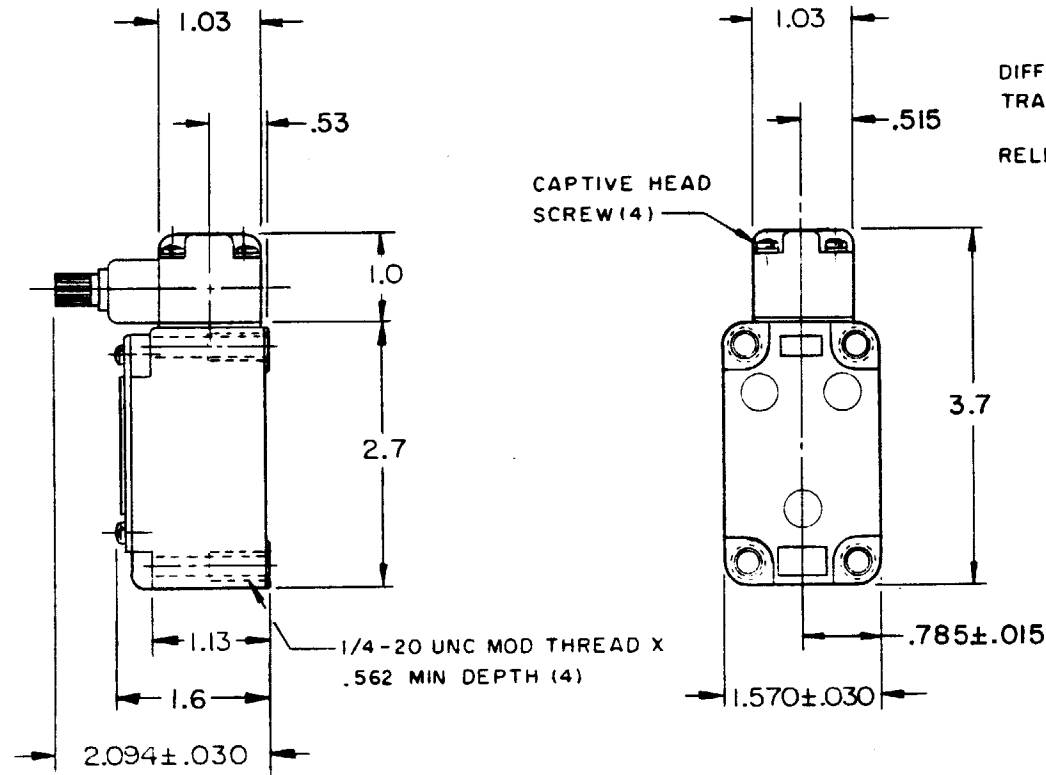
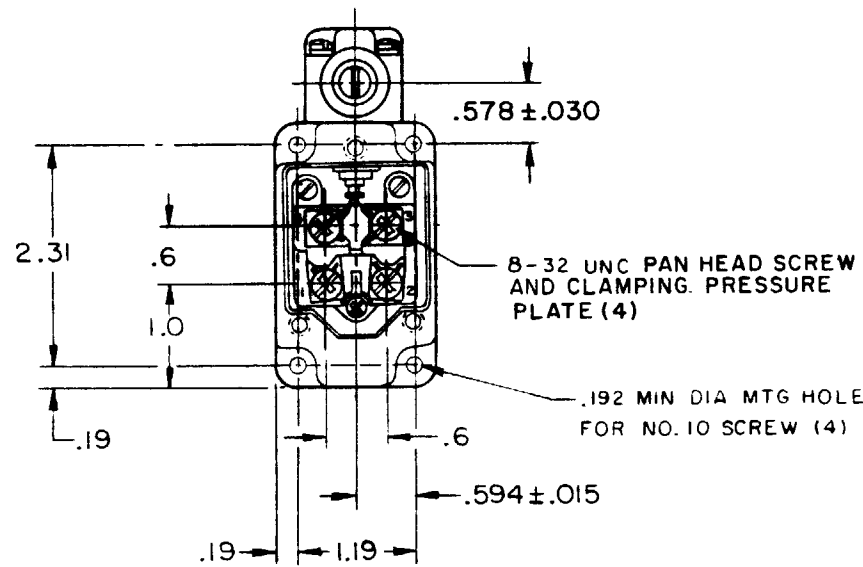
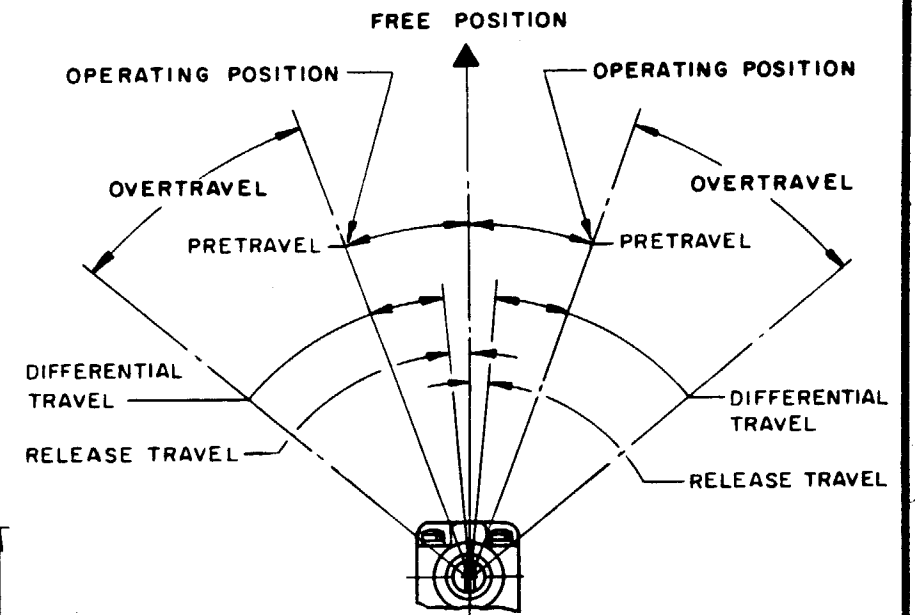
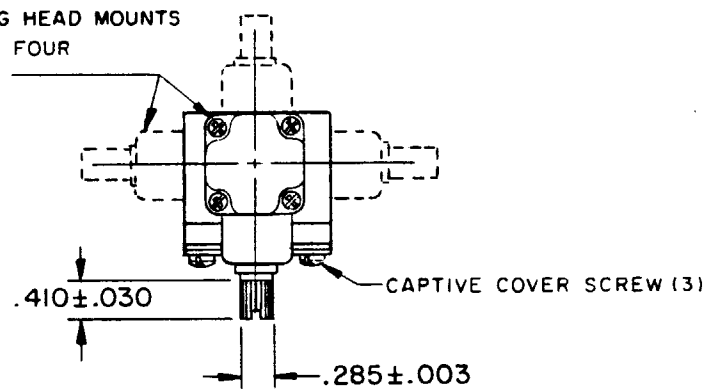
H MICRO SWITCH
 FREEPORT, ILLINOIS, U.S.A.
 A DIVISION OF HONEYWELL
 FED. MFG. CODE 91929

SWITCH - ENCLOSED

CATALOG LISTING
1LS212



OPERATING HEAD MOUNTS
 IN ANY OF FOUR
 POSITIONS



THIS DRAWING COVERS A PROPRIETARY ITEM AND IS THE PROPERTY OF MICRO SWITCH, A DIVISION OF MINNEAPOLIS-HONEYWELL REGULATOR CO. THIS DRAWING IS NOT TO BE COPIED OR USED WITHOUT THE APPROVAL OF MICRO SWITCH.

CHARACTERISTICS	ELECTRICAL DATA	SCALE 1/2 TO 1
OPERATING TORQUE ----- 27 OZ IN MAX	CONTACT ARRANGEMENT (SEE CIRCUIT DIAGRAM)	DO NOT SCALE PRINT
FULL OVERTRAVEL TORQUE ----- 36 OZ IN MAX		UNLESS OTHERWISE NOTED
RELEASE TORQUE ----- 4.5 OZ IN MIN	10A - 120, 240 OR 480 VAC 1/4 HP - 120 VAC; 1/2 HP - 240 VAC PILOT DUTY: 600 VAC MAX	DIMENSIONS ARE IN INCHES
PRETRAVEL ----- 5° MAX		TOLERANCES ARE:
OVERTRAVEL ----- 30° MIN		ONE PLACE (.0) ± .030
RELEASE TRAVEL ----- 0°30' MIN		TWO PLACE (.00) ± .015
SWITCH-BASIC REPLACEMENT ----- 2MN8		THREE PLACE (.000) ± .005
		ANGLES ±
		WEIGHT

- NOTE -
- 1 - SWITCH IS ASSEMBLED FOR ACTUATION IN EITHER DIRECTION BUT MAY BE ADJUSTED TO ACTUATE THE SWITCH IN THE CLOCKWISE DIRECTION ONLY, THE COUNTERCLOCKWISE DIRECTION ONLY, OR IN BOTH DIRECTIONS
 - 2 - TO CONVERT SWITCH FOR ACTUATION IN EITHER THE CLOCKWISE OR COUNTERCLOCKWISE DIRECTION ONLY, REMOVE ACTUATOR HEAD AND ROTATE THE NOTCHED PLUNGER 90° TO THE RIGHT FOR CLOCKWISE ACTUATION OR 90° TO THE LEFT FOR COUNTERCLOCKWISE ACTUATION

⚠ SEAL TO BE FURNISHED BY USER.

1LS212
 M
 DRAWING NUMBER
 8
 ISSUE
 8
 REVISIONS
 A SR12388
 D M W
 20 JUL 65
 B CO23403
 G F S
 26 SEPT 68
 C CO25542
 M B S
 1 APR 69
 C CO25152
 D A W
 17 APR 69
 D CO
 50952-C
 W J M
 24 JUN 83
 E CO
 53005-D
 C J H
 AUG 84
 F CO
 77031
 J D B
 22 DEC 93
 PO-80378-003
 DRAWN
 O M W
 27 JUL 66
 CHECK
 L S D
 66
 REPLACES
 SR 12388
 CHECK
 JUL 66