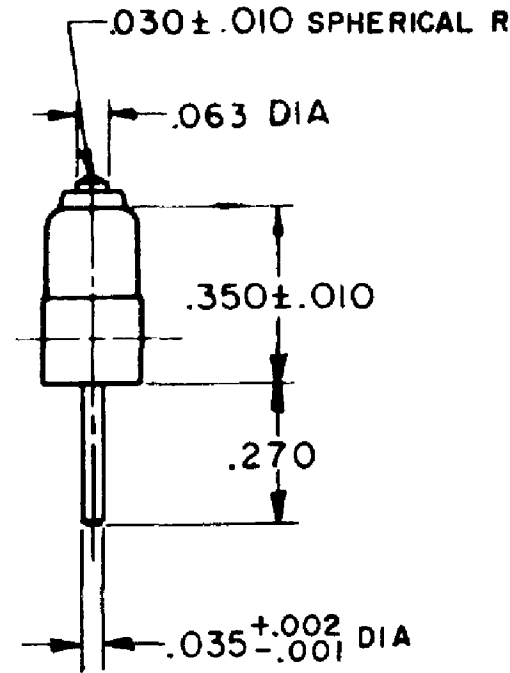
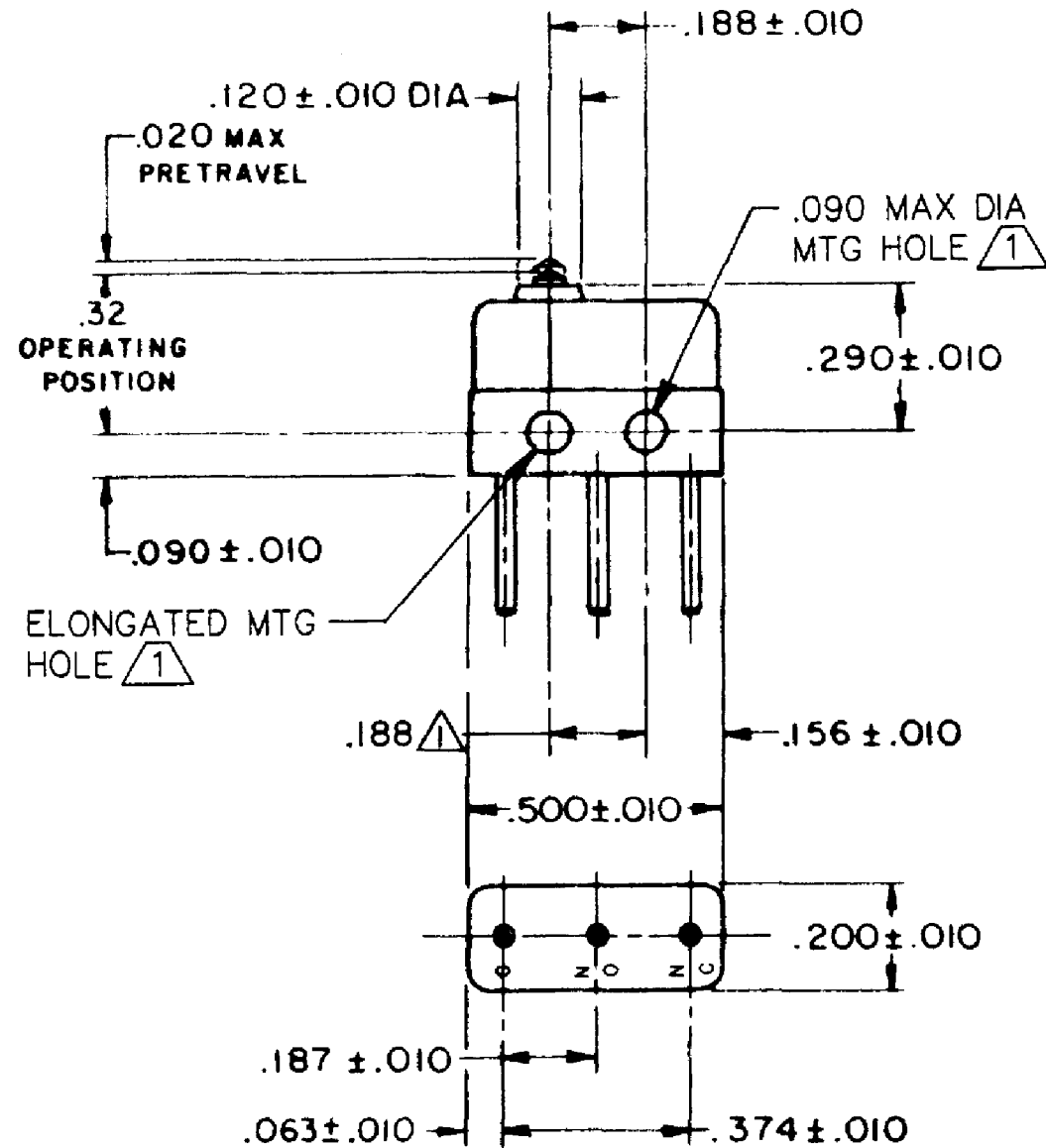
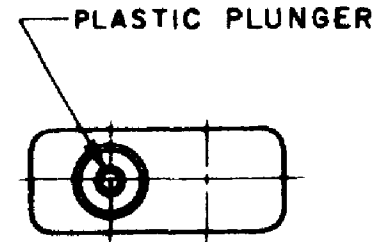


HONEYWELL PART NUMBER
1SX24
PRODUCT CODE VDA2400

REV	DOCUMENT	CHANGED BY	CHECK
6	0038446	KVB 20MAY08	BLR



NOTE -
 ▲ MOUNTING HOLES WILL ACCEPT PINS OR SCREWS OF .087 MAX DIA ON .188 ± .002 CENTERS
 2-TERMINALS ARE PLATED FOR SOLDERING
 3-SWITCH WILL WITHSTAND TEMPERATURE OF 250° F

RELEASE NO. SR 10806

REPLACES -

CHARACTERISTICS	
OPERATING FORCE	5 OZ MAX
RELEASE FORCE	1 OZ MIN
DIFFERENTIAL TRAVEL	.005 MAX
OVERTRAVEL	.004 MIN

ELECTRICAL DATA		
CONTACT ARRANGEMENT SPDT		
28 VOLTS DC RATING		
	SEA LEVEL	50,000 FT
INDUCTIVE	4 AMP	2.5 AMP
RESISTIVE	7 AMP	7 AMP
MAXIMUM INRUSH 24 AMP		
APPROVALS	KEMA, CE	7A 250V ~ T125 5E4
	UL, CSA	7A 250 VAC

DESIGN UNITS: INCH	
TOLERANCES UNLESS NOTED:	
NO PLACE	X ±
ONE PLACE	.X ±
TWO PLACE	.XX ±
THREE PLACE	.XXX ±
FOUR PLACE	.XXXX ±
ANGLES	±
THIRD ANGLE PROJECTION	

DRAWN	SPK	30NOV07
CHECK	RJ	30NOV07
THIS DRAWING COVERS A PROPRIETARY ITEM AND IS THE PROPERTY OF HONEYWELL. THIS DRAWING IS NOT TO BE COPIED OR USED WITHOUT THE PERMISSION OF HONEYWELL.		
INTERPRET PER ANSI Y14.5M-1982 OTHER HONEYWELL ENGINEERING STANDARDS MAY APPLY		
RASTER		

Honeywell			
TITLE SWITCH - BASIC			
SIZE	TYPE	DRAWING NAME	REV
B	I	1SX24	6
SCALE	-	WEIGHT: .003 LB MAX	SHEET 1 OF 1