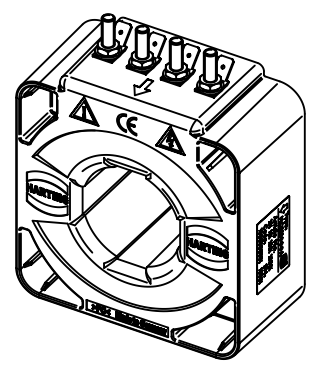
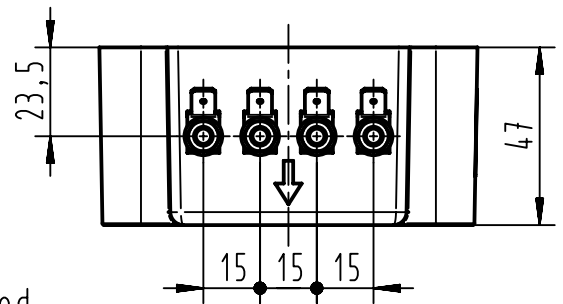
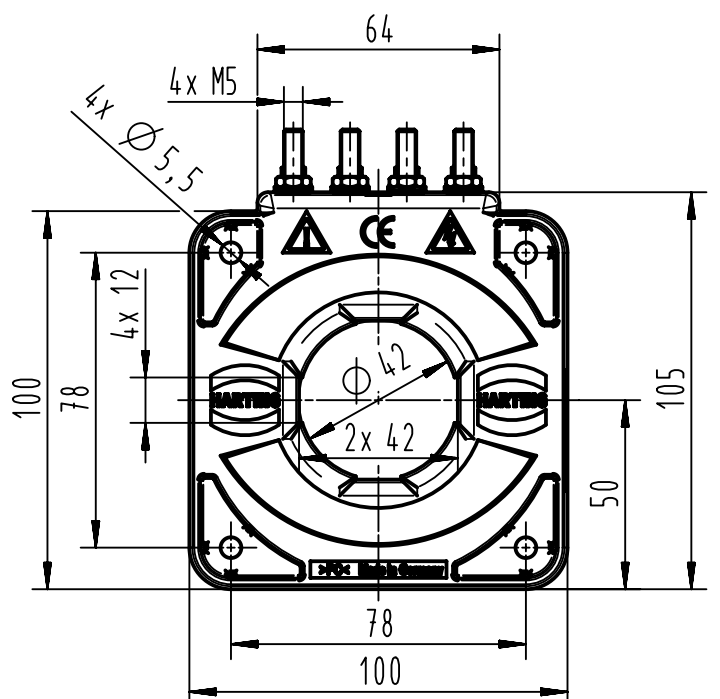
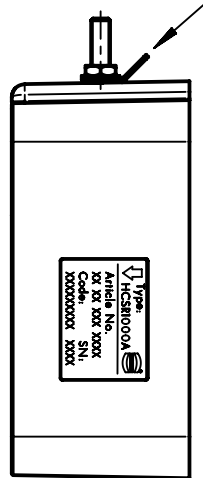
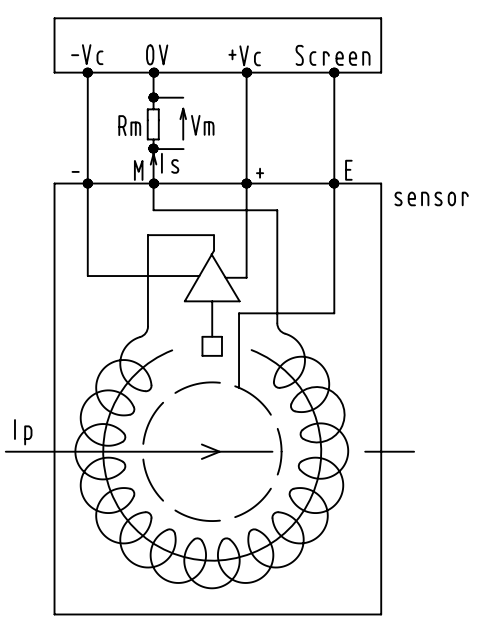


Hall-Element  
Position

4 x Faston:  
6,3 x 0,8



4x locknut M5 unmounted included



	All rights reserved Department EL PD - DE HARTING Electric GmbH & Co. KG D-32339 Espelkamp	All Dimensions in mm Original Size DIN A4	Scale 1:2 Free size tol.	Ref. Sub.
		Created by GRUBES Inspected by HORSTMANNJ Standardisation TIEMANNA	Date 2013-02-15 State Final Release	
Title Hall Effect current sensor HCSR 1000A		Doc-Key / ECM-Nr. 100511493/UGD/001/B		
Type TB Number 20 31 100 9101		Rev. B Page 1/1		