

Number of contacts

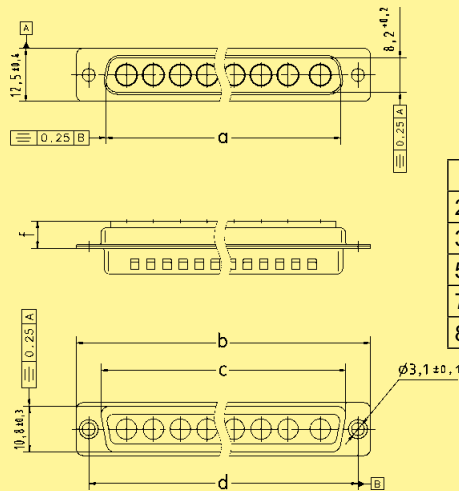
2-8



Shells without signal contacts for cable applications

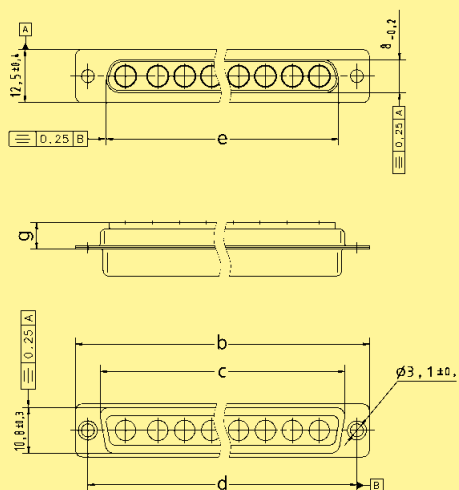
Identification	No. of contacts ¹⁾	Part No.
		male connectors
	2W2	09 69 110 0522
	3W3	09 69 210 0033
	5W5	09 69 310 0055
	7W7	09 69 410 0077
	8W8	09 69 410 0088
		female connectors
		09 69 100 0522
		09 69 200 0033
		09 69 300 0055
		09 69 400 0077
		09 69 400 0088

Male connectors



	a	b	c	d	e	f	g
2W2	16.9	30.8	—	25.00	16.4	8.7	8.6
3W3	25.2	39.1	27.5	33.30	24.6	6.4	6.3
5W5	38.9	53.0	41.3	47.04	38.3	6.4	6.3
7W7	55.3	69.3	57.7	63.50	54.9	6.4	6.3
8W8	55.3	69.3	57.7	63.50	54.8	6.4	6.3

Female connectors



Dimensions in mm

¹⁾ Explanations see page 05.49
Board drillings see pages 05.76 ff
Order special contacts separately. See pages 05.67 ff