

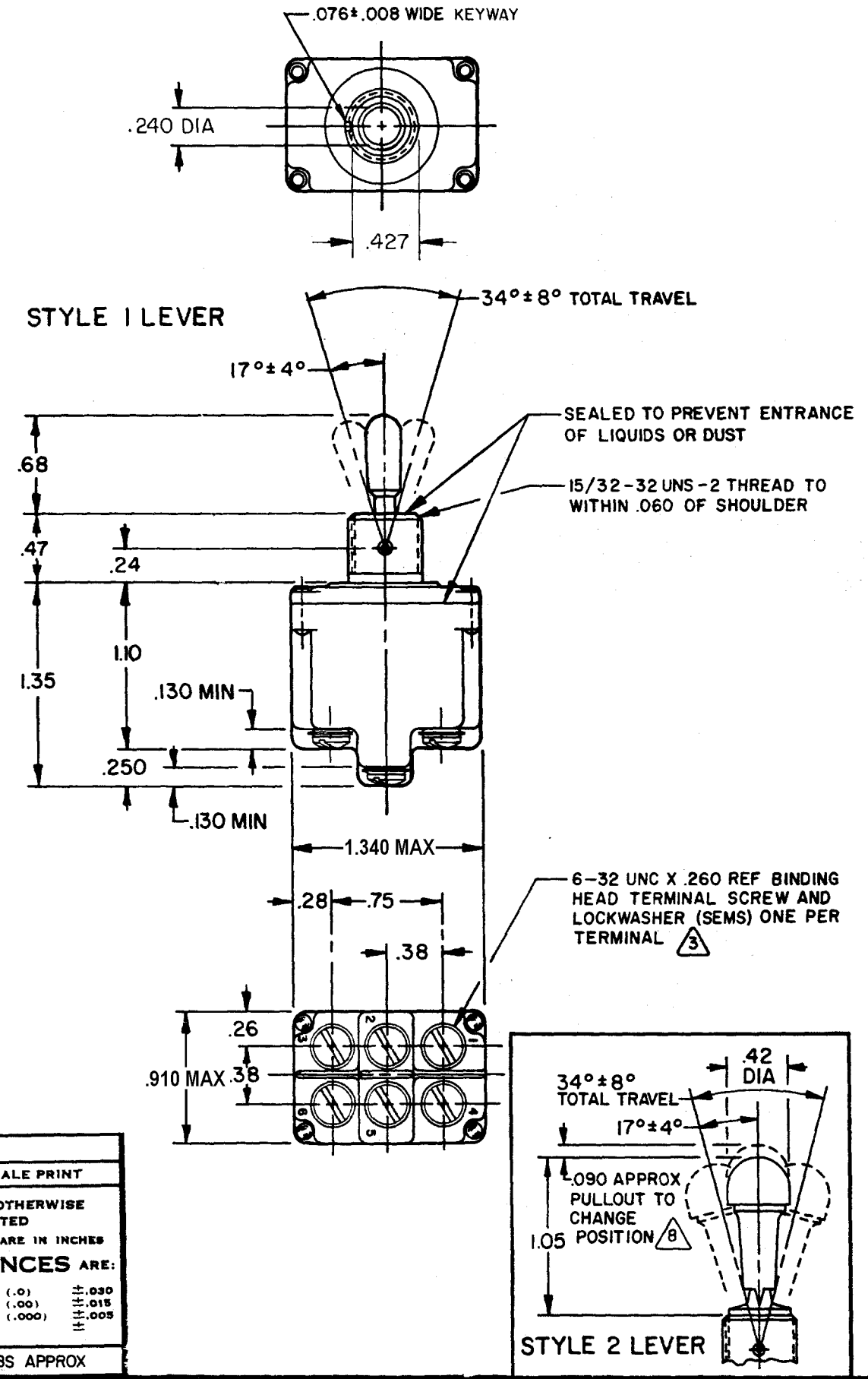
CATALOG LISTING
M 2TL256-10 SERIES CHART 1
 PAGE 1 OF 1
 ISSUE 3
 REVISIONS
 A 178047 047 24 AUG 94
 B 0003086 05 FEB 04
 CHECK KAG 7 JUL 94
 TSM 9 JUN 94
 DRAWN 9 JUN 94
 CHECK KAG 7 JUL 94
 MDM 05 FEB 04
 CHECK MDM 05 FEB 04
 RELEASE NO. CO-78497
 REPLACES 2TL256-10 SERIES

MICRO SWITCH
 FREEPORT, ILLINOIS, U.S.A.
 A DIVISION OF HONEYWELL
 FED. MFG. CODE 91929

SWITCH-TOGGLE

CATALOG LISTING
2TL256-10 SERIES
CHART 1

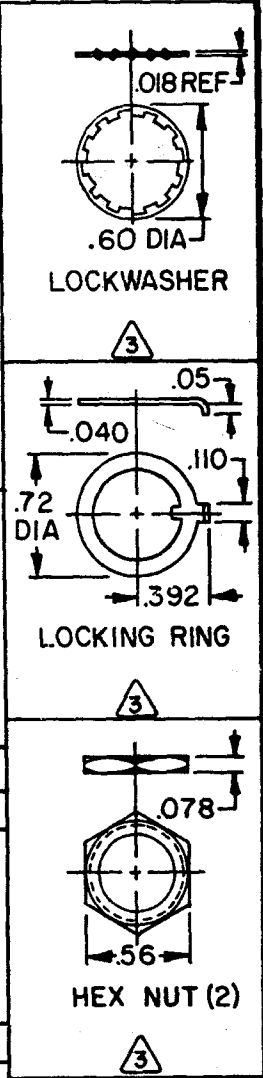
THIS DRAWING COVERS A PROPRIETARY ITEM AND IS THE PROPERTY OF MICRO SWITCH, A DIVISION OF HONEYWELL. THIS DRAWING IS NOT TO BE COPIED OR USED WITHOUT THE APPROVAL OF MICRO SWITCH.



SCALE FULL
 DO NOT SCALE PRINT
 UNLESS OTHERWISE NOTED
 DIMENSIONS ARE IN INCHES
TOLERANCES ARE:
 ONE PLACE (.0) ±.030
 TWO PLACE (.00) ±.015
 THREE PLACE (.000) ±.005
 ANGLES
 WEIGHT .15 LBS APPROX

CATALOG LISTING	AVAILABLE LOCKING COMBINATIONS FOR CONFIGURATION SEE LETTERED DETAILS	STYLE NUMBER	CURRENT CAPACITY (AMPS)								
			RESISTIVE LOAD				LAMP LOAD		INDUCTIVE LOAD		
			DC VOLTS	AC VOLTS	28 VDC	125 VAC	28 VDC	125 VAC	28 VDC	125 VAC	
2TL256-10	NONE	1	20	.75	.5	15	6	7	4	15	15
2TL256-10/6	ABDEFGHJKLMNP	2									

"A" LOCKED IN THREE POSITIONS	"B" LOCKED IN CENTER AND EXTREME POSITION (KEYWAY SIDE)	"D" LOCKED OUT OF CENTER POSITION	"E" LOCKED IN CENTER POSITION	"F" LOCKED IN EXTREME POSITION (OPPOSITE KEYWAY)
"G" LOCKED IN EXTREME POSITION (KEYWAY SIDE)	"H" LOCKED OUT OF CENTER AND EXTREME POSITION (KEYWAY SIDE)	"J" LOCKED OUT OF CENTER AND EXTREME POSITION (OPPOSITE KEYWAY)	"K" LOCKED IN CENTER AND EXTREME POSITION (OPPOSITE KEYWAY)	"L" LOCKED OUT OF EXTREME POSITION (KEYWAY SIDE)
"M" LOCKED OUT OF AND INTO EXTREME POSITION (OPPOSITE KEYWAY)	"N" LOCKED OUT OF EXTREME POSITION (OPPOSITE KEYWAY)	"P" LOCKED OUT OF AND INTO EXTREME POSITION (KEYWAY SIDE)		



CIRCUIT MADE WITH TOGGLE LEVER IN

KEYWAY SIDE	CENTER	OPPOSITE KEYWAY
MAINTAINED POSITION	MAINTAINED POSITION	MAINTAINED POSITION

- NOTES**
- SWITCHES ARE CAPABLE OF WITHSTANDING A TEMPERATURE OF 160°F CONTINUOUSLY AT FULL RATED LOAD
 - CIRCUIT DESIGNATION AND MICRO SWITCH CATALOG LISTING MARKED ON SIDE OF SWITCH
 - FURNISHED UNASSEMBLED
 - FOR TERMINAL COVER SEE MICRO SWITCH CAT. LIST. 5PA8
 - KEYWAY SHOWN ON LEFT SIDE
 - SUFFIX LETTER MUST BE ADDED FOR DESIRED TYPE OF TOGGLE LOCKING. SEE CHART FOR AVAILABLE LOCKING COMBINATIONS
 - SWITCHES WILL REMAIN FUNCTIONAL AFTER BEING SUBJECTED TO THE HIGH IMPACT MECHANICAL SHOCK REQUIREMENTS OF MIL-S-901, GRADE A, SUBASSEMBLY, CLASS I, LIGHTWEIGHT, TYPE C
 - PULL OUT FORCE IS 5.5 TO 8 POUNDS
 - THESE SWITCHES ARE SIMILAR TO SWITCHES QUALIFIED UNDER MIL-S-3950