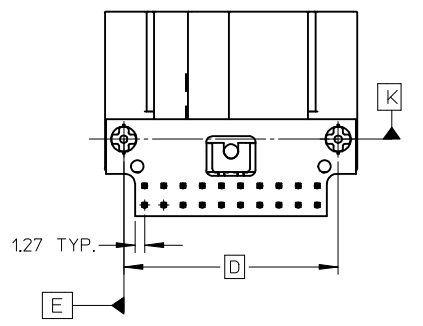


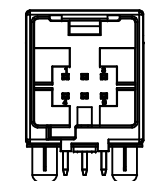
- NOTES:
1. MATERIAL: HOUSING: SPS, GLASS FILLED, COLOR: SEE CHART. TERMINAL: COPPER ALLOY, PIN ALIGNMENT PLATE: MYLAR, COLOR: NATURAL (WHITE).
 2. FINISHES: TERMINAL: TIN (Sn) OVERALL, THICKNESS = 15 MICROMETER MINIMUM, NICKEL (Ni) UNDERPLATE OVERALL.
 3. PRODUCT SPECIFICATION: PS-30700-0001
 4. PACKAGING SPECIFICATION : TUBE: PK-30907-227, TRAY: PK-30907-260
 5. MATES WITH: SERIES 30700, SEE SALES DRAWING SD-30700-120.
 6. DATECODE DESCRIPTION:
 - 1ST DIGIT: MACHINE ID# (ALWAYS WILL BE '2')
 - 2ND THROUGH 4TH DIGIT: DAY# OF THE CALENDAR YEAR (EXAMPLE: FEB. 3RD = '034')
 - 5TH DIGIT: LAST DIGIT OF THE CALENDAR YEAR (EXAMPLE: 1999 = '9')
 - 6TH THROUGH 7TH DIGIT: HOUR OF THE DAY.
 7. RECOMMENDED OPTIONAL SCREW: M2 x 0.89, 6mm IN LENGTH, PAN COLLAR HEAD, 6 LOBE. TORQUE: 7 NEWTON CENTIMETERS

20 CIRCUIT RIGHT ANGLE HEADER ASSEMBLY SHOWN

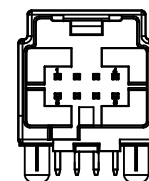


SEE ECN# UAU2001-0258 EC NO: UAU2013-0064 DRWN: JFISCHERO 2012/07/12 CHKD: APPR: SMARCEAU 2012/07/13	QUALITY SYMBOLS	GENERAL TOLERANCES (UNLESS SPECIFIED)		SCALE 2:1	DESIGN UNITS METRIC	THIRD ANGLE PROJECTION	REVISE ON CAD ONLY
	REV DESCRIPTION 0 0	mm	INCH	DIMENSION STYLE MM ONLY		TITLE	6-20 CIRCUIT RIGHT ANGLE HEADER ASSEMBLY MOLEX INCORPORATED ENTER-PART SD-30700-520 SHEET NO. 1 OF 2
		4 PLACES ±	±	DRAWN BY DATE RCARLSON 01/03/20			
		3 PLACES ±	±	CHECKED BY DATE CKRISHNA 01/03/27			
2 PLACES ± 0.13	±	APPROVED BY DATE LGIEB 01/03/28					
1 PLACE ± 0.25	±	ANGULAR ± 1 °		MATERIAL NO. DOCUMENT NO. SHEET NO.			
DRAFT WHERE APPLICABLE		MUST REMAIN WITHIN DIMENSIONS		THIS DRAWING CONTAINS INFORMATION THAT IS PROPRIETARY TO MOLEX INCORPORATED AND SHOULD NOT BE USED WITHOUT WRITTEN PERMISSION			

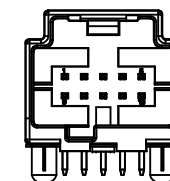
PACKAGING		POLARIZATION OPTIONS & CIRCUIT SIZE		PRODUCT DIMENSIONS					
ASSEMBLY P/N TRAY PACKED	ASSEMBLY P/N TUBE PACKED	RIGHT ANGLE HEADER ASSEMBLY (POLARIZATION OPTIONS)	CIRCUIT SIZE	A	B	(C)	D	(E)	HOUSING COLOR
30700-5207	30700-5204	POLARIZATION OPTION #1	20	33.39	22.86	31.14	28.38	12.57	GRAY
30700-5208	30700-5205	POLARIZATION OPTION #2	20	33.39	22.86	31.14	28.38	15.57	BLACK
30700-5209	30700-5206	POLARIZATION OPTION #3	20	33.39	22.86	31.14	28.38	18.57	NATURAL (CREAM)
30700-5187	30700-5184	POLARIZATION OPTION #1	18	30.85	20.32	28.60	25.84	11.31	GRAY
30700-5188	30700-5185	POLARIZATION OPTION #2	18	30.85	20.32	28.60	25.84	14.31	BLACK
30700-5189	30700-5186	POLARIZATION OPTION #3	18	30.85	20.32	28.60	25.84	17.31	NATURAL (CREAM)
30700-5167	30700-5164	POLARIZATION OPTION #1	16	28.31	17.78	26.06	23.30	10.04	GRAY
30700-5168	30700-5165	POLARIZATION OPTION #2	16	28.31	17.78	26.06	23.30	13.04	BLACK
30700-5169	30700-5166	POLARIZATION OPTION #3	16	28.31	17.78	26.06	23.30	16.04	NATURAL (CREAM)
30700-5147	30700-5144	POLARIZATION OPTION #1	14	25.77	15.24	23.52	20.76	8.77	GRAY
30700-5148	30700-5145	POLARIZATION OPTION #2	14	25.77	15.24	23.52	20.76	11.77	BLACK
30700-5149	30700-5146	POLARIZATION OPTION #3	14	25.77	15.24	23.52	20.76	14.77	NATURAL (CREAM)
30700-5120	30700-5124	POLARIZATION OPTION #1	12	23.23	12.70	20.98	18.22	7.50	GRAY
30700-5121	30700-5125	POLARIZATION OPTION #2	12	23.23	12.70	20.98	18.22	10.50	BLACK
30700-5122	30700-5126	POLARIZATION OPTION #3	12	23.23	12.70	20.98	18.22	13.50	NATURAL (CREAM)
30700-5100	30700-5104	POLARIZATION OPTION #1	10	20.69	10.16	18.44	15.68	6.23	GRAY
30700-5101	30700-5105	POLARIZATION OPTION #2	10	20.69	10.16	18.44	15.68	9.23	BLACK
30700-5102	30700-5106	POLARIZATION OPTION #3	10	20.69	10.16	18.44	15.68	12.23	NATURAL (CREAM)
30700-5080	30700-5084	POLARIZATION OPTION #1	8	18.15	7.62	15.90	13.14	4.96	GRAY
30700-5081	30700-5085	POLARIZATION OPTION #2	8	18.15	7.62	15.90	13.14	7.96	BLACK
30700-5082	30700-5086	POLARIZATION OPTION #3	8	18.15	7.62	15.90	13.14	10.96	NATURAL (CREAM)
30700-5060	30700-5064	POLARIZATION OPTION #1	6	15.61	5.08	13.36	10.60	3.69	GRAY
30700-5061	30700-5065	POLARIZATION OPTION #2	6	15.61	5.08	13.36	10.60	6.69	BLACK
30700-5062	30700-5066	POLARIZATION OPTION #3	6	15.61	5.08	13.36	10.60	9.69	NATURAL (CREAM)



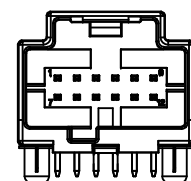
6 CIRCUIT RIGHT
ANGLE HEADER
30700-5060



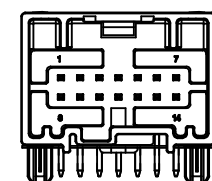
8 CIRCUIT RIGHT
ANGLE HEADER
30700-5080



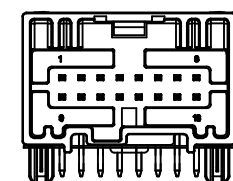
10 CIRCUIT RIGHT
ANGLE HEADER
30700-5100



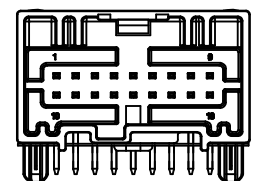
12 CIRCUIT RIGHT
ANGLE HEADER
30700-5120



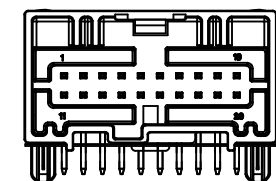
14 CIRCUIT RIGHT
ANGLE HEADER
30700-5147



16 CIRCUIT RIGHT
ANGLE HEADER
30700-5167

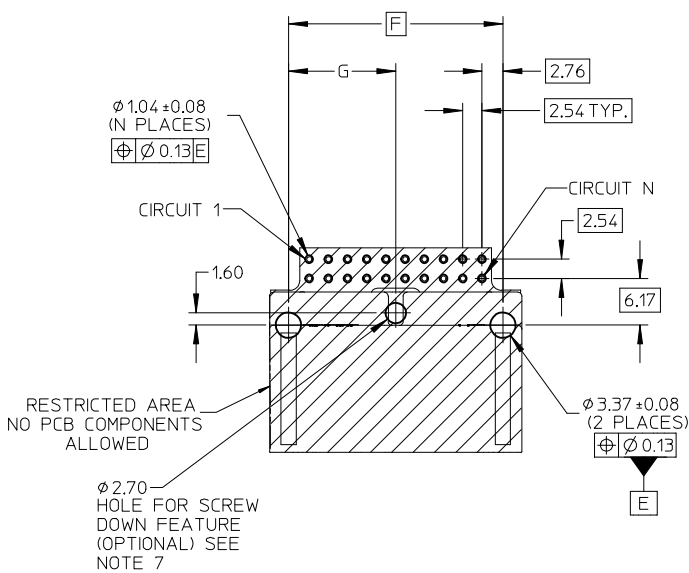


18 CIRCUIT RIGHT
ANGLE HEADER
30700-5187



20 CIRCUIT RIGHT
ANGLE HEADER
30700-5207

20 CIRCUIT PCB LAYOUT
SHOWN BELOW



PCB LAYOUT DIMENSIONS		
CIRCUIT SIZE (N)	F	G
20	28.38	14.19
18	25.84	12.92
16	23.30	11.65
14	20.76	10.38
12	18.22	9.11
10	15.68	7.84
8	13.14	6.57
6	10.60	5.30

PCB LAYOUT: COMPONENT SIDE
RECOMMENDED PCB THICKNESS: 1.57 ± 0.17

SEE ECN# UAU2001-0258 EC NO: UAU2013-0064 DRWN: JFISCHER 2012/07/12 CHKD: APPR: SMARCEAL2012/07/13	QUALITY SYMBOLS ▽ - 0 ▽ - 0	GENERAL TOLERANCES (UNLESS SPECIFIED)		SCALE 2:1	DESIGN UNITS METRIC	THIRD ANGLE PROJECTION	REVISE ON CAD ONLY															
		<table border="1"> <thead> <tr> <th></th> <th>mm</th> <th>INCH</th> </tr> </thead> <tbody> <tr><td>4 PLACES</td><td>±</td><td>±</td></tr> <tr><td>3 PLACES</td><td>±</td><td>±</td></tr> <tr><td>2 PLACES</td><td>± 0.13</td><td>±</td></tr> <tr><td>1 PLACE</td><td>± 0.25</td><td>±</td></tr> </tbody> </table>			mm	INCH	4 PLACES	±	±	3 PLACES	±	±	2 PLACES	± 0.13	±	1 PLACE	± 0.25	±	DIMENSION STYLE MM ONLY		TITLE	
			mm	INCH																		
		4 PLACES	±	±																		
3 PLACES	±	±																				
2 PLACES	± 0.13	±																				
1 PLACE	± 0.25	±																				
DRAFT WHERE APPLICABLE		APPROVED BY LGIEB		DATE 01/03/28		MATERIAL NO. ENTER-PART SD-30700-520																
MUST REMAIN WITHIN DIMENSIONS		THIS DRAWING CONTAINS INFORMATION THAT IS PROPRIETARY TO MOLEX INCORPORATED AND SHOULD NOT BE USED WITHOUT WRITTEN PERMISSION		SHEET NO. 2 OF 2		MOLEX INCORPORATED																