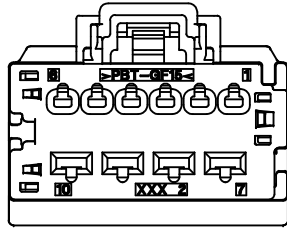
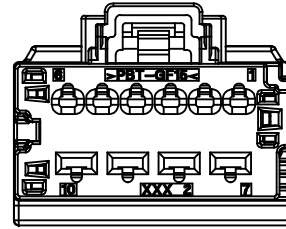


POLARIZATION OPTION A
P/N: 31372-1000



POLARIZATION OPTION B
P/N: 31372-1100



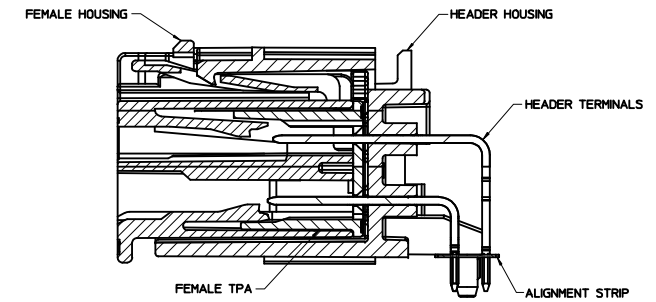
POLARIZATION OPTION C
P/N: 31372-1200

MOLEX ASSEMBLY PART NO.'S	MATING COMPONENT	
	VERTICAL HEADER	RIGHT ANGLE HEADER
31372-1000	34695-0100	34696-0100
31372-1100	34695-0101	34696-0101
31372-1200	34695-0102	34696-0102

ITEM	DESCRIPTION	COLOR	MOLEX COMPONENTS PART NO.	MATERIAL /SPECNO	RECYCLING CODE	WEIGHT	NO OF ITEMS REQUIRED		
1	FEMALE HOUSING POL A	BLACK	31372-2000	89992-1440	SPS/PA66-GF30	6.74g	1		
2	FEMALE HOUSING POL B	GRAY	31372-2100	89992-1451	SPS/PA66-GF30	6.73g		1	
3	FEMALE HOUSING POL C	BROWN	31372-2200	89992-1462	SPS/PA66-GF30	6.74g			1
4	TPA	NATURAL	31372-3000	89992-0925	PBT-GF15	1.39g	1	1	1

ITEM	APPLICABLE COMPONENTS			APPLICABLE WIRE SIZE	
	DESCRIPTION	TYPE	SUPPLIER COMPONENTS PART NO.	WIRE GAGE	MAXIMUM INSULATION DIAMETER
1	MOLEX MX150 TERMINAL	Sn	33012-2001	14/16 AWG	2.70mm
		Sn	33012-2002	18/20 AWG	2.54mm
		Sn	33012-2003	22 AWG	1.70mm
		Sn	33012-3001	14/16 AWG	2.70mm
		Sn	33012-3002	18/20 AWG	2.54mm
2	TYCO 2.8 TERMINAL	Sn	33012-3003	22 AWG	1.70mm
		Sn	1326030-4	10/12 AWG	4.04mm
		Sn	1326030-3	14/16 AWG	2.69mm
3	YAZAKI 2.8 TERMINAL	Sn	1326030-2	18/20 AWG	2.06mm
		Sn	1326030-1	22 AWG	1.65mm
4		Sn	7116-4112-02	14 AWG	2.69mm
		Sn	7116-4111-02	16/18 AWG	2.34mm
5		Sn	7116-4110-02	20/22 AWG	1.85mm

- NOTES: VALID UNLESS OTHERWISE SPECIFIED
- GENERAL:
 - APPLICATION SPECIFICATION SEE: AS-31372-100
 - PRODUCT SPECIFICATION SEE: PS-31372-100
 - PACKAGING SPECIFICATION PER MOLEX DRAWING: PK-31300-931
 - PARTS MUST BE IN COMPLIANCE TO MOLEX CHEMICAL SUBSTANCES FOR PRODUCTS AND PACKAGING SPECIFICATION: PS-40000-5015
 - DATA MUST BE SUBMITTED UNDER THE MOLEX PART NUMBER TO IMDS (COMPANY ID#13255)
 - DESIGN - MATERIALS:
 - SEE BOM TABLE
 - DESIGN - GEOMETRY:
 - THIS IS A 100% CAD GENERATED PART. THE CAD MATHEMATICAL DATA IS THE MASTER FOR THIS PART. FOR DIMENSIONAL OR ANY INFORMATION NOT SHOWN ON THIS DRAWING, ANALYZE THE CAD MODEL.
 - GEOMETRIC DIMENSIONS AND TOLERANCES PER ASME Y14.5M - 1994
 - EDGES AND UNDIMENSIONED DETAILS PER ISO13715
 - CORNERS SHOWN AS SHARP TO BE R 0.2 MAX.
 - LETTERING SHALL BE 0.15 MAX RAISED IN 0.25 MAX RECESS PAD. THIS INCLUDES RECYCLING CODE, CAVITY ID, VENDOR IDENTIFICATION, AND CUSTOMER MATERIAL NUMBER.
 - VISUAL DEFECTS SHALL MEET COSMETIC STANDARD PS-45499-002 (Class B)
 - DESIGN - MANUFACTURING:
 - TPAs MAY BECOME SEATED DURING TRANSIT. IF THIS OCCURS, REFERENCE MOLEX PRODUCT SPECIFICATION PS-34646-001

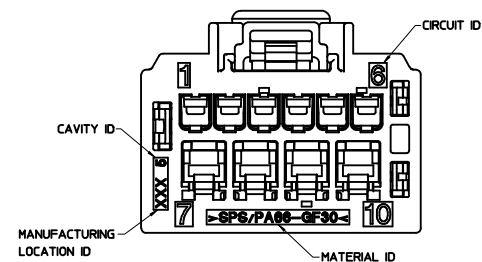
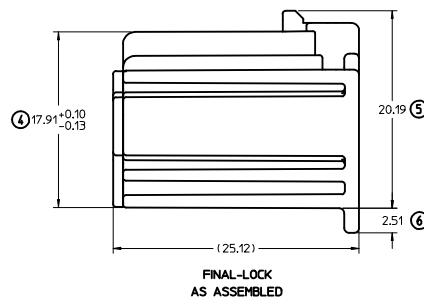
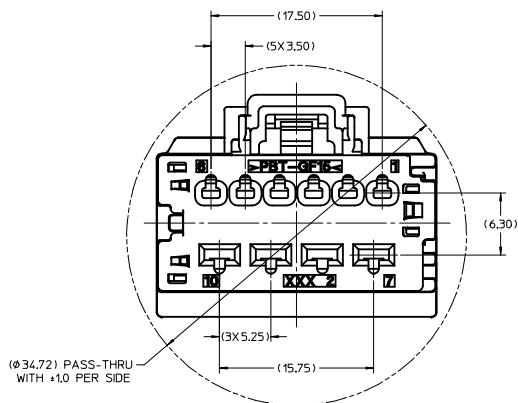
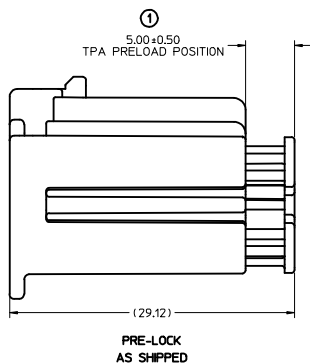
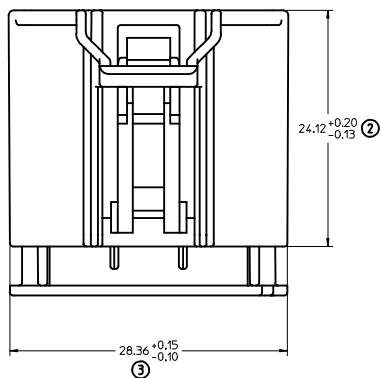


ASSEMBLY SECTION



ISOMETRIC VIEWS
SCALE 1:1
(POLARITY A SHOWN)

FIX TERMINAL TABLE IEC NO: UAU2013-1925 DRWN: FISCHER01 2013/06/05 CHKD: APPR:RBALMAN 2013/06/05 REV:	QUALITY SYMBOLS ▽=0 ▽=0	GENERAL TOLERANCES (UNLESS SPECIFIED): 4 PLACES ± mm ± INCH 3 PLACES ± --- ± --- 2 PLACES ± 0.13 ± --- 1 PLACE ± 0.25 ± --- ANGULAR ± 1°	DIMENSION STYLE MM ONLY DRAWN BY: SKAROLEW DATE: 04/07/2003 CHECKED BY: DATE: MDANIELS 04/07/2003 APPROVED BY: DATE: BBWILSON 04/08/2003	SCALE 4:1 DESIGN UNITS METRIC THIRD ANGLE PROJECTION	TITLE 10 CIRCUIT HYBRID RECEPTACLE ASSEMBLY
	DRAFT WHERE APPLICABLE MUST REMAIN WITHIN DIMENSIONS		MATERIAL NO. SEE CHART	MOLEX INCORPORATED	SHEET NO. 1 OF 2
	DOCUMENT NO. SD-31372-900			MOLEX INCORPORATED	
	THIS DRAWING CONTAINS INFORMATION THAT IS PROPRIETARY TO MOLEX INCORPORATED AND SHOULD NOT BE USED WITHOUT WRITTEN PERMISSION				



CAPACITY TOOLING IEC NO. UAU2013-1925 DRAWN: FISCHER01 2013/06/05 CHKD: APPR: RBALMAN 2013/06/05	QUALITY SYMBOLS	GENERAL TOLERANCES (UNLESS SPECIFIED)		DIMENSION STYLE	SCALE	DESIGN UNITS	THIRD ANGLE PROJECTION	
	▽=0 ▽=0	mm	INCH	MM ONLY	4:1	METRIC	☉ THIRD ANGLE □ PROJECTION	
		4 PLACES ± ---	± ---	DATE	TITLE			
		3 PLACES ± ---	± ---	DATE	SKAROLEW 04/07/2003 MDANIELS 04/07/2003 APPROVED BY DATE BBWILSON 04/08/2003			
	2 PLACES ± 0.13	± ---	DATE					
	1 PLACE ± 0.25	± ---	DATE	MATERIAL NO. SEE CHART DOCUMENT NO. SD-31372-900				
	ANGULAR ± 1°	DRAFT WHERE APPLICABLE MUST REMAIN WITHIN DIMENSIONS		MOLEX INCORPORATED SHEET NO. 2 OF 2				