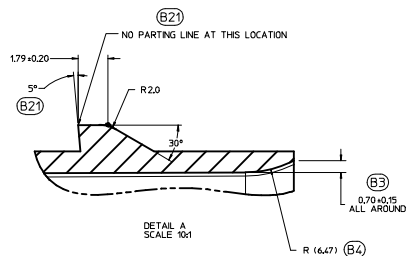
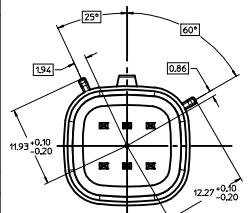


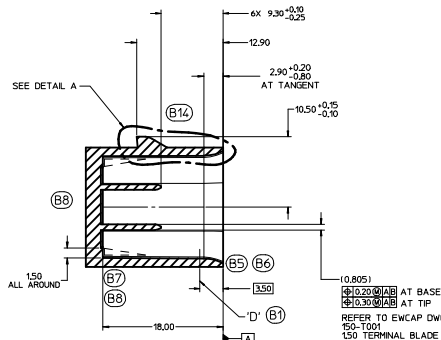
KEYING OPTION A
SCALE 4:1



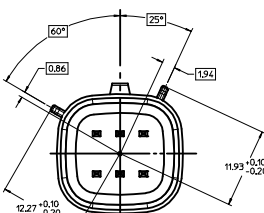
DETAIL A
SCALE 10:1



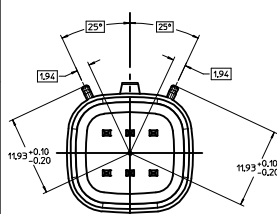
KEYING OPTION B
SCALE 4:1



SECTION A-A

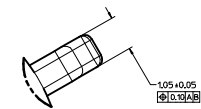


KEYING OPTION C
SCALE 4:1



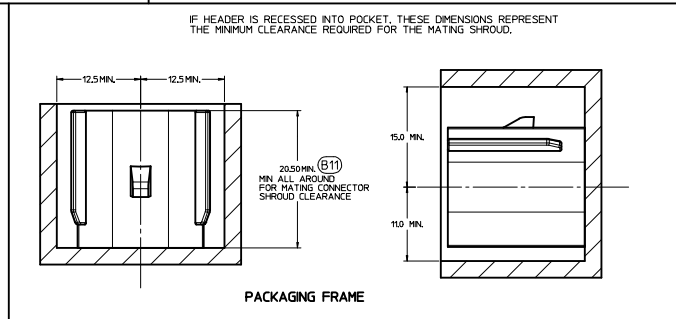
KEYING OPTION D
SCALE 4:1

EWCAP P/N	OPTION	MATING CONNECTOR COLOR
150-S-006-2-002	D	BLACK
150-S-006-2-002	C	DK GRAY
150-S-006-2-802	B	LT GRAY
150-S-006-2-002	A	BLACK

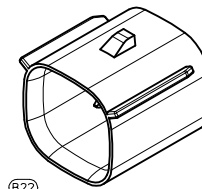


DETAIL C
SCALE 20:1
APPLIES 2X
SEE KEYING OPTION VIEWS
FOR POSITIONS

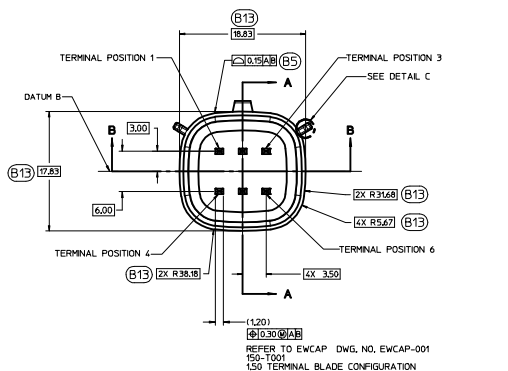
CONSTRUCTION BELOW THIS SURFACE IS NOT CONTROLLED BY EWCAP. NO PLASTIC FEATURES MAY EXTEND ABOVE THIS SURFACE



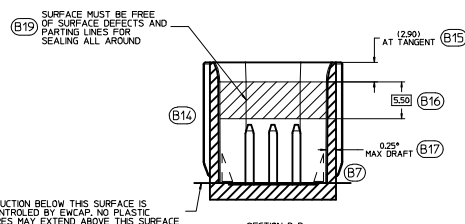
PACKAGING FRAME



B22



- NOTES: UNLESS OTHERWISE SPECIFIED (B19)
1. ALL DIMENSIONS SHOWN IN MILLIMETERS.
 2. DIMENSIONING AND TOLERANCING PER ASME Y14.5M-1994
 3. 0.25 RADI ON ALL CORNERS SHOWN SHARP.
 4. UNSPECIFIED RADI: 0.25 EXCEPT AS NOTED.
 5. STANDARD COLORS FOR POLARIZATION (SEE CHART). DEVIATION REQUIRES APPROVAL OF AUTHORIZED PERSON.
 6. REFER TO "SAE/USCAR 12 CONNECTOR GUIDELINES" FOR ADDITIONAL REQUIREMENTS.
 7. EXCEPT WHERE NOTED, DRAFT ON OUTSIDE SURFACES IS PERMISSIBLE WITHIN TOLERANCE.
 8. SYMBOL INDICATES DRAFT DIRECTION.
 9. FOR TERMINAL MATERIAL, DIMENSIONAL, AND COATING REQUIREMENTS AND ANY BLADE TERMINAL DESIGN INFORMATION NOT SHOWN ON THIS DRAWING SEE EWCAP DRW. NO. EWCAP-001
 10. A FULL SHOULDER ON THE MATING CONNECTOR IS REQUIRED TO INSURE THAT THE CONNECTOR-HEADER POLARIZATION FEATURES (OPTIONS A THRU D) WILL FUNCTION. THE FULL SHOULDER ALSO PREVENTS SCOP DAMAGE TO THE HEADER PINS. REFER TO "SAE/USCAR-12 CONNECTOR DESIGN GUIDE LINES" FOR ADDITIONAL INFORMATION.
 11. REFER TO USCAR/EWCAP PART LIST AS FOUND ON WEBSITE <https://www.uscar.org/>
 12. THIS IS A 100% CAD GENERATED PART. THE CAD MATHEMATICAL DATA IS THE MASTER FOR THIS PART. FOR DIMENSIONAL OR ANY INFORMATION NOT SHOWN ON THIS DRAWING, ANALYZE THE CAD MODEL.



SECTION B-B

NOTICE
THIS DRAWING OR PORTIONS OF IT, ARE CONTROLLED BY THE ELECTRICAL WIRING COMPONENTS APPLICATION PARTNERSHIP (EWCAP), A SUBGROUP OF THE UNITED STATES CONSORTIUM FOR AUTOMOTIVE RESEARCH LLC (USCAR). USCAR IS A PARTNERSHIP BETWEEN CHRYSLER GROUP LLC, FORD MOTOR COMPANY, AND GENERAL MOTORS CORPORATION. ANY CHANGE TO A EWCAP CONTROLLED PORTION OF THIS DRAWING, INCLUDING A "RECORD CHANGE" MUST BE APPROVED IN WRITING BY THE RESPONSIBLE EWCAP MEMBER FROM EACH USCAR COMPANY. EACH EWCAP MEMBER AUTHORIZED TO SIGN FOR HIS OR HER COMPANY IS RESPONSIBLE FOR OBTAINING ALL NECESSARY APPROVALS WITHIN THAT COMPANY PRIOR TO SIGNING FOR APPROVAL OF THE CHANGE. EWCAP EXPRESSLY PROHIBITS ANY PARTY FROM CHANGING EITHER ANY EWCAP CONTROLLED PORTION OF THIS DRAWING OR ANY ASSOCIATED TOOLING BEFORE RECEIVING AN APPROVAL SIGNED BY AN AUTHORIZED REPRESENTATIVE FROM EACH EWCAP PARTNER. REFERENCE TO THE SIGNED APPROVAL FORM MUST BE ENTERED IN THIS DRAWING'S CONTROL COLUMN.

CHANGE NUMBER	DATE	BY	CHK

095	B22	CHANGED ISO VIEW SCALE TO 4:1 WAS 5:1				
095	B21	ADDED PARTING LINE NOTE TO DETAIL A				
095	B20	REMOVED NOTE INCK ANGLE OPTIONAL FROM 5°				
095	B19	CORRECTED CHRYSLER GROUP LLC NOMENCLATURE				
095	B18	MOVED NOTE TO SECTION B-B				
095	B17	UPDATED NOTES				
095	B16	ADDED B16				
095	B15	ADDED AT TANGENT NOTE				
095	B14	REMOVED DATUM D				
095	B13	ADDED BASIC DIMENSIONS FOR PROFILE CONTROL				
095	B12	ADDED (H0.20) (A) (B)				
095	B11	DIMENSIONED TO DATUM A				
095	B10	SEALING SURFACE DIMENSIONS MOVED TO SECTION C-C				
095	B9	ADDED SECTION C-C				
095	B8	REMOVED B18 AND 2.50 FROM SECTION A-A				
095	B7	ADDED DRAFT ANGLE DIRECTION				
095	B6	REMOVED 0.80 (H0.50) (G0) ALL AROUND				
095	B5	REMOVED WALL THICKNESS CONTRIC WITH PROFILE OF A SURFACE				
095	B4	ADDED R6.67				
095	B3	ADDED 0.70 (H0.15) ALL AROUND				
095	B2	UPDATED CONNECTOR COLORS				

LET	REVISION RECORD	DATE	DWN	CHK
A	RELEASED	10-31-02	MV	DG

TOLERANCES UNLESS OTHERWISE SPECIFIED				THIRD ANGLE PROJECTION
DIMENSIONS ARE IN MILLIMETERS				
	ANGLES			
	± 0.2	± 0.05		

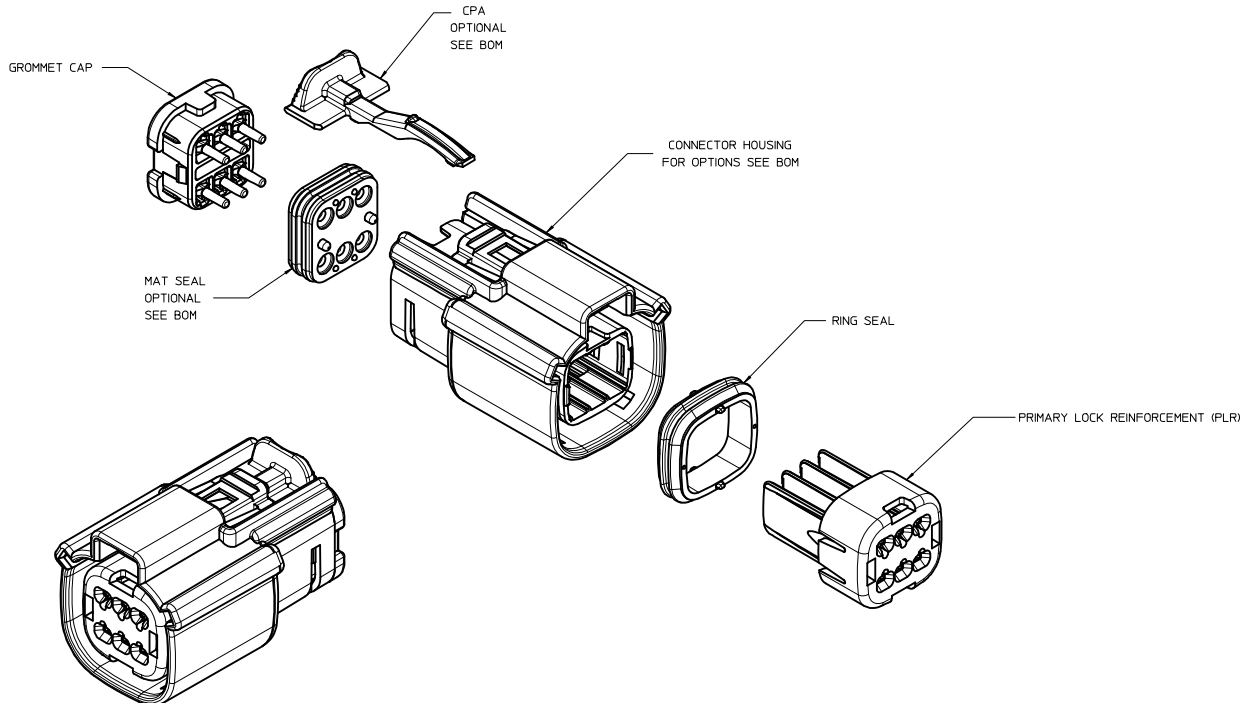
EWCAP

DIRECT CONNECT INTERFACE
6 WAY 12 X 3J 1.5 MM SEALED MALE

SCALE	DRW BY	CHECKED BY	DATE
SCALE 4:1	DRW BY K LUNNINGHAM	CHECKED BY VANSLAMBOURCK	DATE 03-26-12
SHEET	DATE	REV	REVISION LEVEL
1	03-26-12	E	B



TABLE OF CONTENTS	
SHEET NO.	SHEET DESCRIPTION
1	NOTES
2	KEY CONFIGURATIONS
3	RECEPTACLE SEALED ASSEMBLY
4	BACKSHELL NOTES
5	BACKSHELL
6	BACKSHELL CONFIGURATIONS
7-8	BOM



NOTES: VALID UNLESS OTHERWISE SPECIFIED

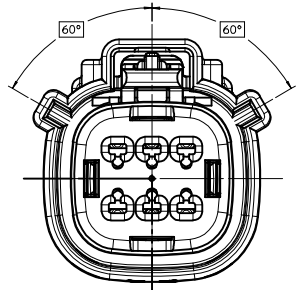
1. GENERAL:
 - a. APPLICATION SPECIFICATION SEE: AS-33472-100
 CONTAINS: PRODUCT INTRODUCTION, PRODUCT SUMMARY, CONNECTOR ASSEMBLY, PACKAGING INFORMATION, CONNECTOR MATING, SERVICE INSTRUCTIONS, ELECTRICAL CONTINUITY CHECKING CRITERIA, AND TROUBLESHOOTING
 -DESIGNED TO MATE WITH DEVICE CONNECTION AS SPECIFIED IN DRAWING EWCAP 150-S-006-2-202, AVAILABLE AT <http://ewcap.uscarteams.org/>
 -DESIGNED TO MATE WITH BLADE SEALED ASSEMBLY AS SPECIFIED IN DRAWING SD-33482-061
 -FOR 15mm RECEPTACLE TERMINALS TO BE USED WITH THIS ASSEMBLY SEE MOLEX DRAWING SD-33012-002
 - SYSTEM TO BE USED WITH WIRE WITHIN DIAMETER RANGE OF 1.2mm TO 2.69mm.
 -ASSEMBLY SHIPPED WITH PLR AND CPA IN PRE-LOCK POSITION (SEE SECTION Z-Z PRE-LOCK)
 -IN THE EVENT THAT THE PLR IS FOUND IN THE SEATED (FINAL LOCK) POSITION, REFER TO MOLEX SPECIFICATION PS-34646-001, AVAILABLE AT www.molex.com <http://www.molex.com>
 -ASSEMBLY CONFORMS TO SAE/USCAR-2 REV.4 WITH THE FOLLOWING EXCEPTIONS:
 ENGAGEMENT FORCE TO MOVE CPA FROM PRE-LOCK TO FINAL LOCK POSITION WHEN UNMATED: 40N MIN.
 DISENGAGEMENT FORCE TO MOVE CPA FROM FINAL LOCK TO PRE-LOCK POSITION: 3N MIN, 40N MAX
 TERMINAL INSERTION FORCE FOR WIRE DIAMETER ABOVE 2.5mm NOT EXCEEDING 2.69mm SHALL NOT EXCEED 40 NEWTONS.
 PLR REMOVAL FROM FINAL LOCK TO PRE-LOCK POSITION SHALL NOT EXCEED 130 NEWTONS.
 - b. PRODUCT SPECIFICATION SEE: PS-33472-000
 CONTAINS: PRODUCT INTRODUCTION, PRODUCT SUMMARY, RATINGS (CURRENT, TEMPERATURE, SEALING, AND FLAMMABILITY), AND PRODUCT VALIDATION.
 - c. PACKAGING SPECIFICATION PER MOLEX DRAWING PK-31300-993
 - d. PARTS MUST BE IN COMPLIANCE TO MOLEX CHEMICAL SUBSTANCES FOR PRODUCTS AND PACKAGING SPECIFICATION ES-40000-5016
 - e. DATA MUST BE SUBMITTED UNDER THE MOLEX PART NUMBER TO IMDS (COMPANY ID:1525)
 - f. FOR INFORMATION ON 2X3 RECEPTACLE SEALED ASSEMBLY WITH CLIPSLOT SEE SD-33472-071
2. DESIGN - MATERIALS:
 - a. SEE BOM TABLE.
3. DESIGN - GEOMETRY:
 - a. THIS IS A 100% CAD GENERATED PART. THE CAD MATHEMATICAL DATA IS THE MASTER FOR THIS PART. FOR DIMENSIONAL OR ANY INFORMATION NOT SHOWN ON THIS DRAWING, ANALYZE THE CAD MODEL.
 - b. GEOMETRIC DIMENSIONS AND TOLERANCES PER ASME Y14.5M - 1994
 - c. EDGES AND UNDIMENSIONED DETAILS PER ISO137B
 - d. CORNERS SHOWN AS SHARP TO BE R 0.2 MAX.
 - e. LETTERING SHALL BE 0.15 MAX RAISED IN 0.25 MAX RECESS PAD. THIS INCLUDES RECYCLING CODE, CAVITY ID, VENDOR IDENTIFICATION, AND CUSTOMER MATERIAL NUMBER.
 - f. VISUAL DEFECTS SHALL MEET COSMETIC STANDARD PS-45499-002 (Class B)
 - g. LASER MARKING: TBD

INSPECTION NUMBER LOG
 LAST NUMBER USED:
 ADDED:
 REMOVED:

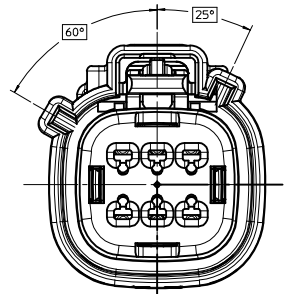
X9	UPDATED BACKSHELL INFORMATION
X8	ADD NEW P/N 33472-0681
X7	UPDATED BACKSHELL
X6	RENAMED BACKSHELLS
X5	ADD NEW P/N 33472-0678 33472-0679 33472-0680
X4	UPDATED VIEWS
X3	UPDATED NOMENCLATURE SHEET 3
X2	ADD NEW P/N 33472-0677
X1	UPDATED NOTES
X	REDRAWN, ADDED BACKSHELL

ENTER DESCRIPTION IEC NO: UAU2013-1966 DRAWN/CUNNINGHAM 2013/06/11 CHKD: APPR: VKOSHY 2013/06/20	QUALITY SYMBOLS	GENERAL TOLERANCES (UNLESS SPECIFIED)	DIMENSION STYLE	SCALE	DESIGN UNITS	THIRD ANGLE PROJECTION	MX150 2X3 RECEPTACLE SEALED ASSEMBLY MAT SEAL MATERIAL NO. SD-33472-061 SHEET NO. 1 OF 8
	▽=0 ▽=0 ▽=0	4 PLACES ± --- ± --- 3 PLACES ± --- ± --- 2 PLACES ± 0.10 ± --- 1 PLACE ± 0.3 ± --- 0 PLACE ± ±	MM ONLY	3:1	METRIC	DRAWN BY DATE DGRIF1 ITHS 06-05-03 CHECKED BY DATE DGRIF1 ITHS 06-05-03 APPROVED BY DATE VKOSHY 2010/03/04	
	ANGLUAR ± 3 ° DRAFT WHERE APPLICABLE MUST REMAIN WITHIN DIMENSIONS	SEE BOM THIS DRAWING CONTAINS INFORMATION THAT IS PROPRIETARY TO MOLEX INCORPORATED AND SHOULD NOT BE USED WITHOUT WRITTEN PERMISSION	DOCUMENT NO. SD-33472-061				
	SIZE D						

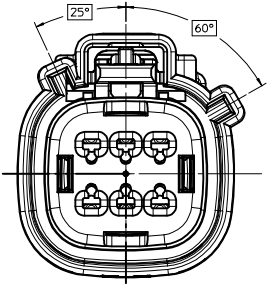
KEY CONFIGURATIONS



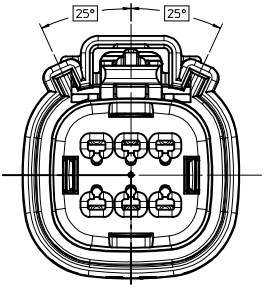
KEY A



KEY B



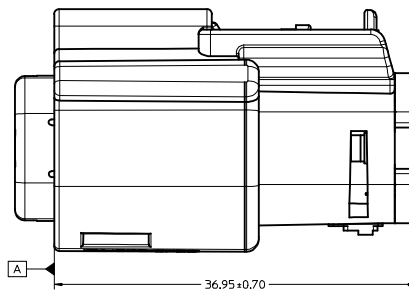
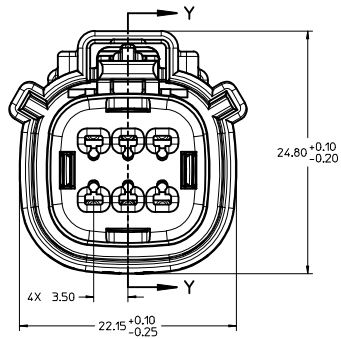
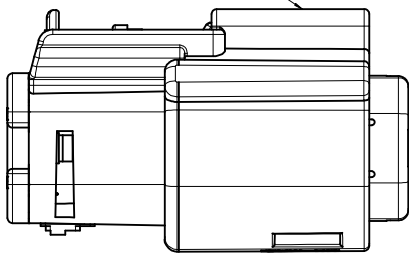
KEY C



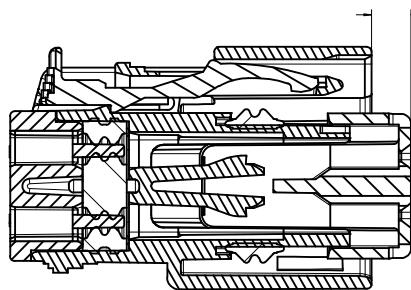
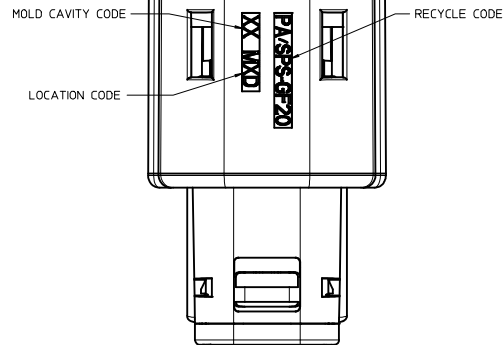
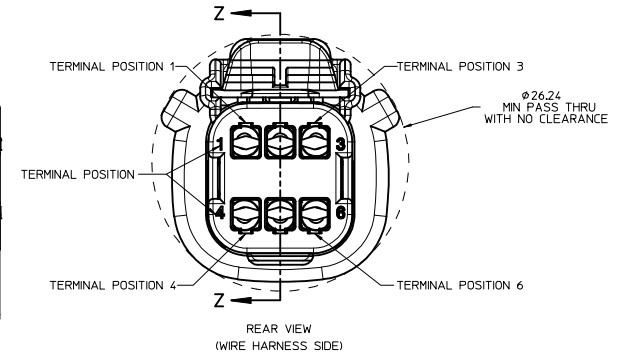
KEY D

ENTER DESCRIPTION EC NO: UAU2013-1966 DRAWN: CUNNINGHAM 2013/06/11 CHKD: X APPR: VKOSHY 2013/06/20	QUALITY SYMBOLS	GENERAL TOLERANCES (UNLESS SPECIFIED)	DIMENSION STYLE	SCALE	DESIGN UNITS	THIRD ANGLE PROJECTION
	▽=0	mm INCH	MM ONLY	4:1	METRIC	☉
	▽=0	4 PLACES ± --- ± ---	DRAWN BY DATE	TITLE		
	▽=0	3 PLACES ± --- ± ---	DGRIFITHS 06-05-03	MX150 2X3 RECEPTACLE SEALED ASSEMBLY MAT SEAL		
▽=0	2 PLACES ± 0.10 ± ---	CHECKED BY DATE	MATERIAL NO.			
	1 PLACE ± 0.3 ± ---	DGRIFITHS 06-05-03	SEE BOM			
	0 PLACE ± ±	APPROVED BY DATE	DOCUMENT NO.			
	ANGULAR ± 3 °	VKOSHY 2010/03/04	SD-33472-061			
	DRAFT WHERE APPLICABLE MUST REMAIN WITHIN DIMENSIONS	SIZE D	SHEET NO. 2 OF 8			
			THIS DRAWING CONTAINS INFORMATION THAT IS PROPRIETARY TO MOLEX INCORPORATED AND SHOULD NOT BE USED WITHOUT WRITTEN PERMISSION			

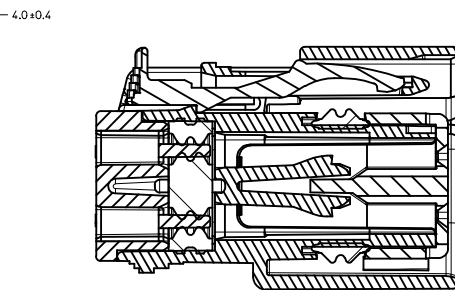
LASER MARKING ON THIS SURFACE
SEE NOTE 3g.



RECEPTACLE SEALED ASSEMBLY



PRIMARY LOCK REINFORCEMENT (PLR) SHOWN
IN PRE-STAGED POSITION
SECTION Z-Z



PRIMARY LOCK REINFORCEMENT (PLR) SHOWN
IN FINAL-LOCK POSITION
SECTION Y-Y

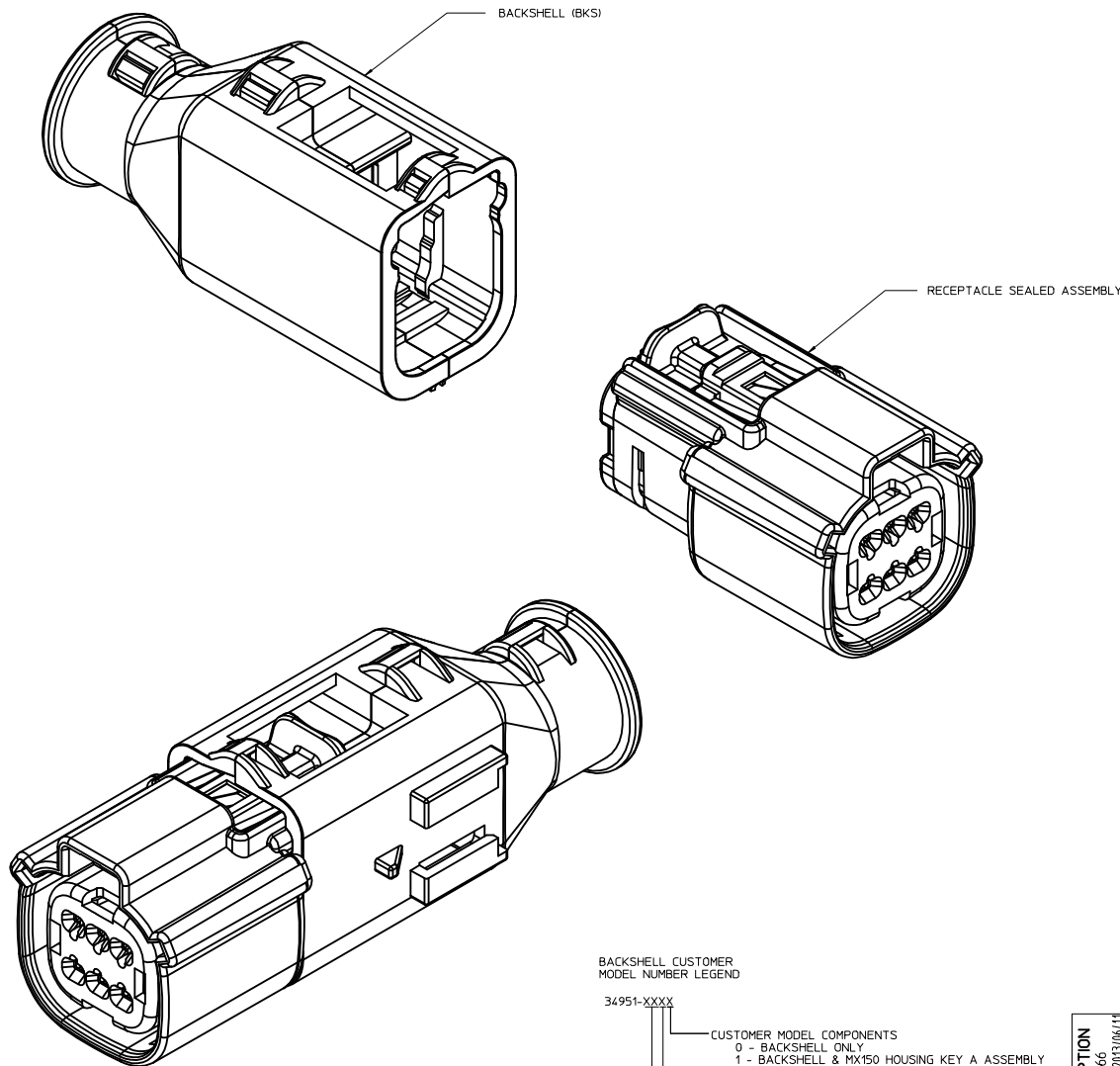
ENTER DESCRIPTION IEC NO. UAU2013-1966 DRAWN/CUNNINGHAM 2013/06/11 CHKD: APPR:VKOSHY 2013/06/20	QUALITY SYMBOLS	GENERAL TOLERANCES (UNLESS SPECIFIED)	DIMENSION STYLE	SCALE	DESIGN UNITS	THIRD ANGLE PROJECTION	
	∇=0 ∇=0 ∇=0	mm INCH 4 PLACES ± --- ± --- 3 PLACES ± 0.10 ± --- 2 PLACES ± 0.3 ± --- 1 PLACE ± --- ± --- 0 PLACE ± --- ± ---	MM ONLY	4:1	METRIC	DATE DATE DATE	
	DRAFT WHERE APPLICABLE MUST REMAIN WITHIN DIMENSIONS	ANGULAR ± 3 °	DRAWN BY CHECKED BY APPROVED BY	DATE DATE DATE	TITLE MX150 2X3 RECEPTACLE SEALED ASSEMBLY MAT SEAL	MATERIAL NO. SEE BOM	DOCUMENT NO. SD-33472-061
	SIZE D	THIS DRAWING CONTAINS INFORMATION THAT IS PROPRIETARY TO MOLEX INCORPORATED AND SHOULD NOT BE USED WITHOUT WRITTEN PERMISSION	SHEET NO. 3 OF 8				

BACKSHELL NOTES

BACKSHELL NOTES: VALID UNLESS OTHERWISE SPECIFIED

1. GENERAL:

- a. APPLICATION SPECIFICATION SEE: AS-34951-001
 - DESIGNED TO MATE WITH RECEPTACLE SEALED ASSEMBLY AS SPECIFIED IN DRAWING SD-33472-061
 - SYSTEM TO BE USED WITH WIRE WITHIN DIAMETER RANGE OF 1.2 mm TO 2.69 mm.
 - COMPONENTS ARE OPTIONAL AND MUST BE PURCHASED SEPARATELY
 - BACKSHELL DESIGN IS OWNED BY SCHLEMMER
 - FOR ADDITIONAL INFORMATION SEE THE BACKSHELL COMPONENT DRAWING SD-34951-0001



BACKSHELL CUSTOMER MODEL NUMBER LEGEND

34951-XXXX

- CUSTOMER MODEL COMPONENTS
 - 0 - BACKSHELL ONLY
 - 1 - BACKSHELL & MX150 HOUSING KEY A ASSEMBLY
 - 2 - BACKSHELL & MX150 HOUSING KEY B ASSEMBLY
 - 3 - BACKSHELL & MX150 HOUSING KEY C ASSEMBLY
 - 4 - BACKSHELL & MX150 HOUSING KEY D ASSEMBLY

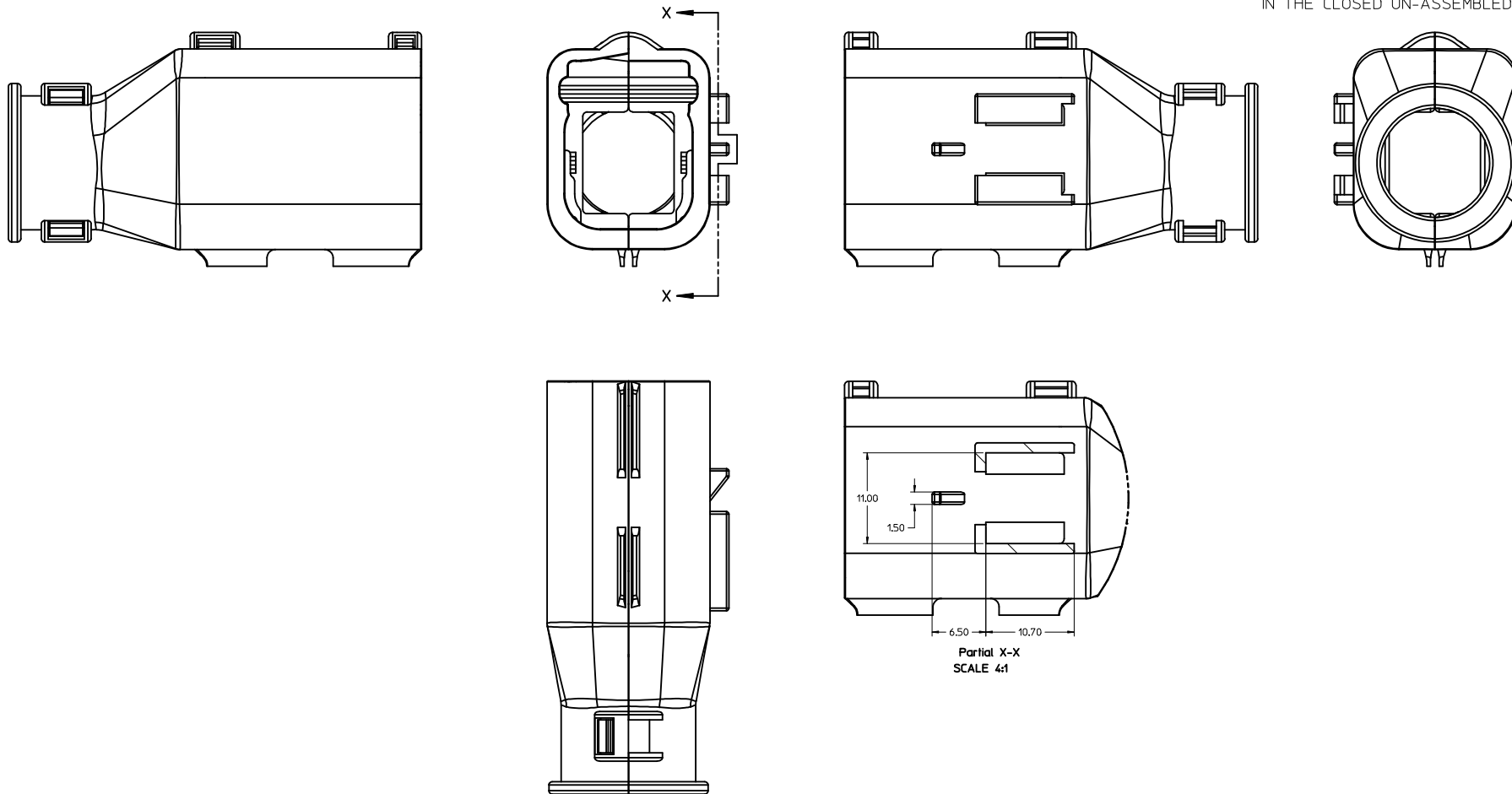
- BACKSHELL FEATURES
 - 1 - WITH RIBS
 - 2 - WITHOUT RIBS

MX150 CIRCUIT SIZE 04, 06, 08, 12, 16, 20

ENTER DESCRIPTION DEC NO: UAU2013-1966 DRAWN/CUNNINGHAM 2013/06/11 CHKD: APPR: VKOSHY 2013/06/20	QUALITY SYMBOLS ∇=0 ∇=0 ∇=0	GENERAL TOLERANCES (UNLESS SPECIFIED) mm INCH 4 PLACES ± --- ± --- 3 PLACES ± --- ± --- 2 PLACES ± 0.10 ± --- 1 PLACE ± 0.3 ± --- 0 PLACE ± ±	DIMENSION STYLE MM ONLY	SCALE 4:1	DESIGN UNITS METRIC	THIRD ANGLE PROJECTION 	TITLE MX150 2X3 RECEPTACLE SEALED ASSEMBLY MAT SEAL	MATERIAL NO. SEE BOM	DOCUMENT NO. SD-33472-061	SHEET NO. 4 OF 8
	DRAFT WHERE APPLICABLE MUST REMAIN WITHIN DIMENSIONS		ANGULAR ± 3 °	THIS DRAWING CONTAINS INFORMATION THAT IS PROPRIETARY TO MOLEX INCORPORATED AND SHOULD NOT BE USED WITHOUT WRITTEN PERMISSION						

20 19 18 17 16 15 14 13 12 11 10 9 8 7 6 5 4 3 2 1

BACKSHELL
THE VIEWS ON THIS SHEET ARE
IN THE CLOSED UN-ASSEMBLED POSITION

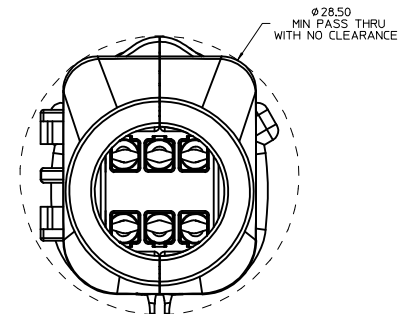
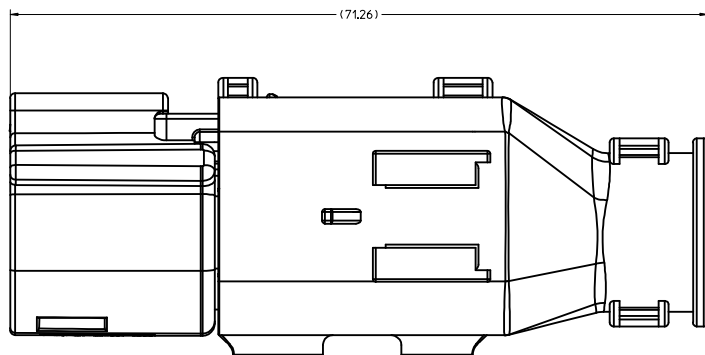


ENTER DESCRIPTION IEC NO. UAU2013-1966 DRAWN/CUNNINGHAM 2013/06/11 CHKD: APPR:VKOSHY 2013/06/20 REVISIONS 1 2 3	QUALITY SYMBOLS ∇=0 ∇=0 ∇=0	GENERAL TOLERANCES (UNLESS SPECIFIED) mm INCH 4 PLACES ± --- ± --- 3 PLACES ± --- ± --- 2 PLACES ± 0.10 ± --- 1 PLACE ± 0.3 ± --- 0 PLACE ± ± ANGULAR ± 3 ° DRAFT WHERE APPLICABLE MUST REMAIN WITHIN DIMENSIONS	DIMENSION STYLE MM ONLY DRAWN BY DATE DGRIFITHS 06-05-03 CHECKED BY DATE DGRIFITHS 06-05-03 APPROVED BY DATE VKOSHY 2010/03/04 MATERIAL NO. SEE BOM SIZE D	SCALE 4:1 DESIGN UNITS METRIC THIRD ANGLE PROJECTION	TITLE MX150 2X3 RECEPTACLE SEALED ASSEMBLY MAT SEAL molex DOCUMENT NO. SD-33472-061	SHEET NO. 5 OF 8
	THIS DRAWING CONTAINS INFORMATION THAT IS PROPRIETARY TO MOLEX INCORPORATED AND SHOULD NOT BE USED WITHOUT WRITTEN PERMISSION					
	IEC NO. UAU2013-1966 DRAWN/CUNNINGHAM 2013/06/11 CHKD: APPR:VKOSHY 2013/06/20					
	REVISIONS 1 2 3					

19 18 17 16 15 14 13 12 11 10 9 8 7 6 5 4 3 2 1

20 19 18 17 16 15 14 13 12 11 10 9 8 7 6 5 4 3 2 1

BACKSHELL CONFIGURATIONS



RECEPTACLE SEALED ASSEMBLY WITH RECEPTACLE BACKSHELL

ENTER DESCRIPTION EEC NO: UAU2013-1966 DRAWN: CUNNINGHAM 2013/06/11 CHKD: X APPR: VKOSHY 2013/06/20	QUALITY SYMBOLS	GENERAL TOLERANCES (UNLESS SPECIFIED)	DIMENSION STYLE	SCALE	DESIGN UNITS	THIRD ANGLE PROJECTION
	▽=0	mm INCH	MM ONLY	4:1	METRIC	☉
	▽=0	4 PLACES ± --- ± ---	DRAWN BY DATE	TITLE		
	▽=0	3 PLACES ± --- ± ---	DGRIFITHS 06-05-03	MX150 2X3 RECEPTACLE SEALED ASSEMBLY MAT SEAL		
	2 PLACES ± 0.10 ± ---	CHECKED BY DATE	MATERIAL NO.			SHEET NO.
	1 PLACE ± 0.3 ± ---	DGRIFITHS 06-05-03	SEE BOM			6 OF 8
	0 PLACE ± ±	APPROVED BY DATE	DOCUMENT NO.			
		VKOSHY 2010/03/04	SD-33472-061			
		ANGULAR ± 3 °	THIS DRAWING CONTAINS INFORMATION THAT IS PROPRIETARY TO MOLEX INCORPORATED AND SHOULD NOT BE USED WITHOUT WRITTEN PERMISSION			
		DRAFT WHERE APPLICABLE MUST REMAIN WITHIN DIMENSIONS				

19 18 17 16 15 14 13 12 11 10 9 8 7 6 5 4 3 2 1

DESCRIPTION	PART NUMBER	KEY	CPA	M	1	2	3	4	5	6	STATUS	COMMENTS	BACKSHELL WITH RIBS	BACKSHELL WITHOUT RIBS					
VOID KEY	33472-0640																		
KEY D, GREEN	33472-0639		D		M	1	2	3	4	5	6	NOT RECOMMENDED	34951-0610	34951-0620					
KEY C, BROWN	33472-0638		C		M	1	2	3	4	5	6	NOT RECOMMENDED	34951-0610	34951-0620					
KEY B, LIGHT GRAY	33472-0637	B			M	1	2	3	4	5	6		34951-0610	34951-0620					
KEY A, BLACK	33472-0636	A			M	1	2	3	4	5	6	SALEABLE	34951-0610	34951-0620					
VOID KEY	33472-0635																		
KEY D, W/O MAT SEAL, GREEN	33472-0634		D									NOT RECOMMENDED	34951-0610	34951-0620					
KEY C, W/O MAT SEAL, BROWN	33472-0633		C									NOT RECOMMENDED	34951-0610	34951-0620					
KEY B, W/O MAT SEAL, LIGHT GRAY	33472-0632	B										NOT VALIDATED	34951-0610	34951-0620					
KEY A, W/O MAT SEAL, BLACK	33472-0631	A										NOT VALIDATED	34951-0610	34951-0620					
VOID KEY	33472-0630																		
KEY D, W/ CPA, GREEN	33472-0629		D	CPA	M			3	4			NOT RECOMMENDED	34951-0610	34951-0620					
KEY C, W/ CPA, BROWN	33472-0628		C	CPA	M			3	4			NOT RECOMMENDED	34951-0610	34951-0620					
KEY B, W/ CPA, LIGHT GRAY	33472-0627	B		CPA	M			3	4				34951-0610	34951-0620					
KEY A, W/ CPA, BLACK	33472-0626	A		CPA	M			3	4			SALEABLE	34951-0610	34951-0620					
VOID KEY	33472-0625																		
KEY D, GREEN	33472-0624		D		M			3	4			NOT RECOMMENDED	34951-0610	34951-0620					
KEY C, BROWN	33472-0623		C		M			3	4			NOT RECOMMENDED	34951-0610	34951-0620					
KEY B, LIGHT GRAY	33472-0622	B			M			3	4				34951-0610	34951-0620					
KEY A, BLACK	33472-0621	A			M			3	4			SALEABLE	34951-0610	34951-0620					
VOID KEY	33472-0620																		
KEY D, W/ CPA, GREEN	33472-0619		D	CPA	M			3				NOT RECOMMENDED	34951-0610	34951-0620					
KEY C, W/ CPA, BROWN	33472-0618		C	CPA	M			3				NOT RECOMMENDED	34951-0610	34951-0620					
KEY B, W/ CPA, LIGHT GRAY	33472-0617	B		CPA	M			3					34951-0610	34951-0620					
KEY A, W/ CPA, BLACK	33472-0616	A		CPA	M			3				SALEABLE	34951-0610	34951-0620					
VOID KEY	33472-0615																		
KEY D, GREEN	33472-0614		D		M			3				NOT RECOMMENDED	34951-0610	34951-0620					
KEY C, BROWN	33472-0613		C		M			3				NOT RECOMMENDED	34951-0610	34951-0620					
KEY B, LIGHT GRAY	33472-0612	B			M			3					34951-0610	34951-0620					
KEY A, BLACK	33472-0611	A			M			3				SALEABLE	34951-0610	34951-0620					
VOID KEY	33472-0610																		
KEY D, W/ CPA, GREEN	33472-0609		D	CPA	M							NOT RECOMMENDED	34951-0610	34951-0620					
KEY C, W/ CPA, BROWN	33472-0608		C	CPA	M							NOT RECOMMENDED	34951-0610	34951-0620					
KEY B, W/ CPA, LIGHT GRAY	33472-0607	B		CPA	M								34951-0610	34951-0620					
KEY A, W/ CPA, BLACK	33472-0606	A		CPA	M							SALEABLE	34951-0610	34951-0620					
VOID KEY	33472-0605																		
KEY D, GREEN	33472-0604		D		M							NOT RECOMMENDED	34951-0610	34951-0620					
KEY C, BROWN	33472-0603		C		M							NOT RECOMMENDED	34951-0610	34951-0620					
KEY B, LIGHT GRAY	33472-0602	B			M								34951-0610	34951-0620					
KEY A, BLACK	33472-0601	A			M							SALEABLE	34951-0610	34951-0620					
ASSEMBLY DESCRIPTION	ASSEMBLY PART NUMBER	A	B	C	D	C	D	CPA	M	1	2	3	4	5	6	STATUS	COMMENTS	BACKSHELL WITH RIBS	BACKSHELL WITHOUT RIBS

DESCRIPTION	COLOR	MATERIAL
RING SEAL	BURNT ORANGE	INHERENTLY LUBRICATED SILICONE
PLR	NATURAL	SPS/NYLON GF20
GROMMET CAP	BLACK	SPS/NYLON GF20
MAT SEAL	LIGHT BLUE	INHERENTLY LUBRICATED SILICONE
CPA	RED	PBT GF30
HOUSING KEYING OPTION D	STONE GRAY	SPS/NYLON GF20
HOUSING KEYING OPTION C	DARK GRAY	SPS/NYLON GF20
HOUSING KEYING OPTION D	GREEN	SPS/NYLON GF20
HOUSING KEYING OPTION C	BROWN	SPS/NYLON GF20
HOUSING KEYING OPTION B	LIGHT GRAY	SPS/NYLON GF20
HOUSING KEYING OPTION A	BLACK	SPS/NYLON GF20

BOM/APPLICABLE COMPONENTS TABLE

ABBREVIATION	COMPONENT
A	HOUSING KEY A
B	HOUSING KEY B
C	HOUSING KEY C
D	HOUSING KEY D
GC	GROMMET CAP
M	MAT SEAL
R	RING SEAL
P	PLR, STANDARD
CPA	CPA
BKS	BACKSHELL

ENTER DESCRIPTION IEC NO. UAU2013-1966 DRAWN/CUNNINGHAM 2013/06/11 CHKD: APPR:VKOSHY 2013/06/20 REV:	QUALITY SYMBOLS ▽=0 ▽=0 ▽=0	GENERAL TOLERANCES (UNLESS SPECIFIED) mm INCH 4 PLACES ± ± 3 PLACES ± ± 2 PLACES ±0.10 ± ± 1 PLACE ±0.3 ± ± 0 PLACE ± ±	DIMENSION STYLE MM ONLY DRAWN BY DATE DGR1FF1THS 06-05-03 CHECKED BY DATE DGR1FF1THS 06-05-03 APPROVED BY DATE VKOSHY 2010/03/04	SCALE DESIGN UNITS METRIC THIRD ANGLE PROJECTION	TITLE MX150 2X3 RECEPTACLE SEALED ASSEMBLY MAT SEAL molex MATERIAL NO. SEE BOM DOCUMENT NO. SD-33472-061 SHEET NO. 7 OF 8
	DRAFT WHERE APPLICABLE MUST REMAIN WITHIN DIMENSIONS				
	THIS DRAWING CONTAINS INFORMATION THAT IS PROPRIETARY TO MOLEX INCORPORATED AND SHOULD NOT BE USED WITHOUT WRITTEN PERMISSION				
	SIZE D				

KEY A, W/ CPA, BLACK	33472-0681	A					CPA	M	2									SALEABLE		34951-0610	34951-0620	
KEY A, BLACK	33472-0680	A						M	1	2	3							SALEABLE		34951-0610	34951-0620	
KEY A, W/ CPA, BLACK	33472-0679	A					CPA	M	1	2	3							SALEABLE		34951-0610	34951-0620	
KEY B, LIGHT GRAY	33472-0678	B						M					5	6				SALEABLE		34951-0610	34951-0620	
KEY B, LIGHT GRAY	33472-0677	B						M	1				5					SALEABLE		34951-0610	34951-0620	
KEY B, W/ CPA, LIGHT GRAY	33472-0676	B					CPA	M	1				5					SALEABLE		34951-0610	34951-0620	
KEY A, W/ CPA, BLACK	33472-0675	A					CPA	M										SALEABLE		34951-0610	34951-0620	
KEY A, W/ CPA, BLACK	33472-0674	A					CPA	M										SALEABLE		34951-0610	34951-0620	
KEY A, BLACK	33472-0673	A						M										SALEABLE		34951-0610	34951-0620	
KEY B, LIGHT GRAY	33472-0672	B						M					5					SALEABLE		34951-0610	34951-0620	
KEY D, W CPA, STONE GRAY	33472-0671						D	CPA	M									TOOLED BUT NOT VALIDATED		34951-0610	34951-0620	
KEY C, W/ CPA, DARK GRAY	33472-0670						C	CPA	M									SALEABLE		34951-0610	34951-0620	
KEY D, STONE GRAY	33472-0669						D	M										TOOLED BUT NOT VALIDATED		34951-0610	34951-0620	
KEY C, DARK GRAY	33472-0668						C	M										SALEABLE		34951-0610	34951-0620	
KEY A, BLACK	33472-0667	A						M	1		3		5	6				SALEABLE		34951-0610	34951-0620	
KEY A, BLACK	33472-0666	A						M		2			5	6				SALEABLE		34951-0610	34951-0620	
KEY A, BLACK	33472-0665	A						M	1									SALEABLE		34951-0610	34951-0620	
KEY A, BLACK	33472-0664	A						M				4	5	6				SALEABLE		34951-0610	34951-0620	
KEY A, BLACK	33472-0663	A						M					5	6				SALEABLE		34951-0610	34951-0620	
KEY A, BLACK	33472-0662	A						M	2				5					SALEABLE		34951-0610	34951-0620	
KEY A, BLACK	33472-0661	A						M	2									SALEABLE		34951-0610	34951-0620	
KEY A, W/ CPA, BLACK	33472-0660	A					CPA	M	1	2	3	4	5	6				SALEABLE		34951-0610	34951-0620	
KEY A, BLACK	33472-0659	A						M		3		5	6					SALEABLE		34951-0610	34951-0620	
KEY A, BLACK	33472-0658	A						M			3							SALEABLE		34951-0610	34951-0620	
VOID KEY	33472-0657																					
KEY D, W/ CPA, GREEN	33472-0656						D	CPA	M	1		3	4	6				NOT RECOMMENDED		34951-0610	34951-0620	
KEY C, W/ CPA, BROWN	33472-0655						C	CPA	M	1		3	4	6				NOT RECOMMENDED		34951-0610	34951-0620	
KEY B, W/ CPA, LIGHT GRAY	33472-0654	B						CPA	M	1		3	4	6				SALEABLE		34951-0610	34951-0620	
KEY A, W/ CPA, BLACK	33472-0653	A						CPA	M	1		3	4	6				SALEABLE		34951-0610	34951-0620	
VOID KEY	33472-0652																					
KEY D, GREEN	33472-0651							D	M	1		3	4	6				NOT RECOMMENDED		34951-0610	34951-0620	
KEY C, BROWN	33472-0650							C	M	1		3	4	6				NOT RECOMMENDED		34951-0610	34951-0620	
KEY B, LIGHT GRAY	33472-0649	B						M	1		3	4	6					SALEABLE		34951-0610	34951-0620	
KEY A, BLACK	33472-0648	A						M	1		3	4	6					SALEABLE		34951-0610	34951-0620	
VOID KEY	33472-0647																					
KEY D, W/ CPA, GREEN	33472-0646							D	CPA	M	1		3	4				NOT RECOMMENDED		34951-0610	34951-0620	
KEY C, W/ CPA, BROWN	33472-0645							C	CPA	M	1		3	4				NOT RECOMMENDED		34951-0610	34951-0620	
KEY B, W/ CPA, LIGHT GRAY	33472-0644	B						CPA	M	1		3	4					SALEABLE		34951-0610	34951-0620	
KEY A, W/ CPA, BLACK	33472-0643	A						CPA	M	1		3	4					SALEABLE		34951-0610	34951-0620	
KEY A, BLACK	33472-0642	A						M				4						SALEABLE		34951-0610	34951-0620	
KEY A, BLACK	33472-0641	A						M		2	3	4	5					SALEABLE		34951-0610	34951-0620	
ASSEMBLY DESCRIPTION	ASSEMBLY PART NUMBER	A	B	C	D	C	D	CPA	M	1	2	3	4	5	6				STATUS	COMMENTS	BACKSHELL WITH RIBS	BACKSHELL WITHOUT RIBS

DESCRIPTION	COLOR	MATERIAL
BLOCKED TERMINAL		
CAVITY WITH A NUMBER INDICATES BLOCKED TERMINAL POSITION		
CAVITY WITHOUT A NUMBER INDICATES OPEN TERMINAL POSITION		
RING SEAL	BURNT ORANGE	INHERENTLY LUBRICATED SILICONE
PLR	NATURAL	SPS/NYLON GF20
GROMMET CAP	BLACK	SPS/NYLON GF20
MAT SEAL	LIGHT BLUE	INHERENTLY LUBRICATED SILICONE
CPA	RED	PBT GF30
HOUSING KEYING OPTION D	STONE GRAY	SPS/NYLON GF20
HOUSING KEYING OPTION C	DARK GRAY	SPS/NYLON GF20
HOUSING KEYING OPTION D	GREEN	SPS/NYLON GF20
HOUSING KEYING OPTION C	BROWN	SPS/NYLON GF20
HOUSING KEYING OPTION B	LIGHT GRAY	SPS/NYLON GF20
HOUSING KEYING OPTION A	BLACK	SPS/NYLON GF20

ABBREVIATION	COMPONENT
A	HOUSING KEY A
B	HOUSING KEY B
C	HOUSING KEY C
D	HOUSING KEY D
GC	GROMMET CAP
M	MAT SEAL
R	RING SEAL
P	PLR, STANDARD
CPA	CPA
BKS	BACKSHELL

ENTER DESCRIPTION EEC NO. UAU2013-1966 DRAWN/CUNNINGHAM 2013/06/11 CHKD: APPR:VKOSHY 2013/06/20 REV DESCRIPTION	QUALITY SYMBOLS ▽=0 ▽=0 ▽=0	GENERAL TOLERANCES (UNLESS SPECIFIED) mm INCH 4 PLACES ± .10 ± .005 3 PLACES ± .10 ± .005 2 PLACES ± 0.10 ± .005 1 PLACE ± 0.3 ± .005 0 PLACE ± ±	DIMENSION STYLE MM ONLY	SCALE DESIGN UNITS METRIC	THIRD ANGLE PROJECTION
	DRAWN BY DATE DGRIFFI THS 06-05-03		CHECKED BY DATE DGRIFFI THS 06-05-03		TITLE MX150 2X3 RECEPTACLE SEALED ASSEMBLY MAT SEAL
	APPROVED BY DATE VKOSHY 2010/03/04		MATERIAL NO. SEE BOM		
	ANGLE ± 3 ° DRAFT WHERE APPLICABLE MUST REMAIN WITHIN DIMENSIONS		DOCUMENT NO. SD-33472-061		SHEET NO. 8 OF 8