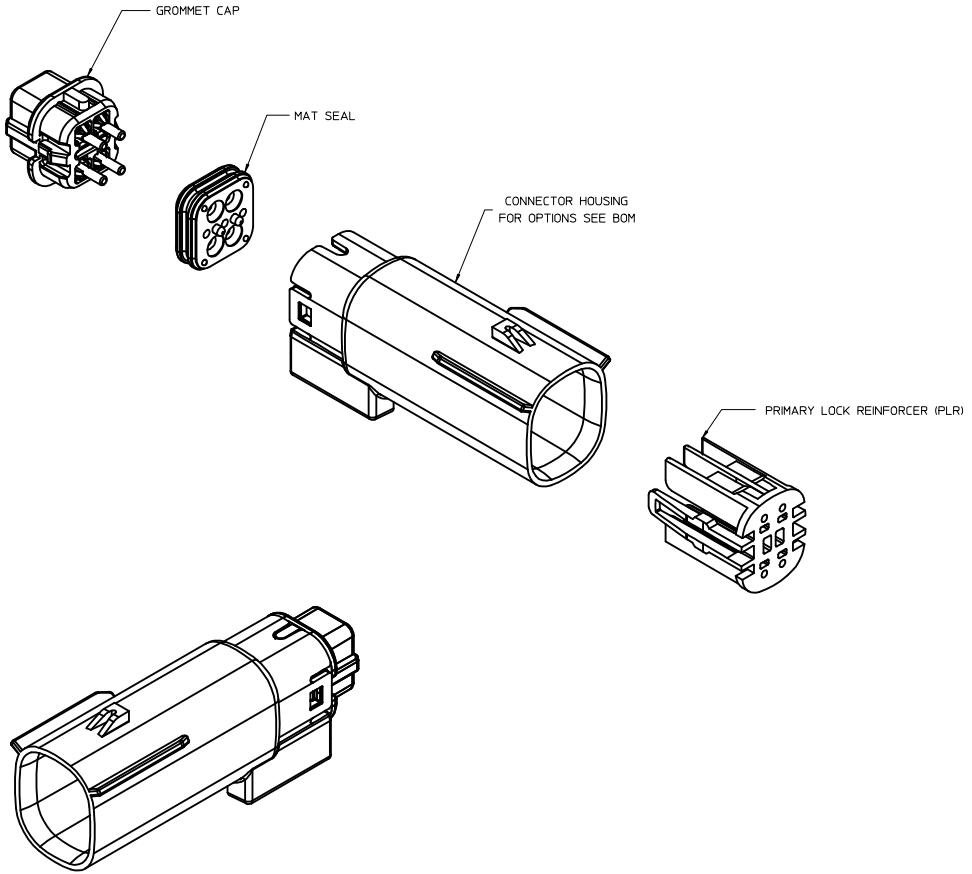


TABLE OF CONTENTS	
SHEET NO.	SHEET DESCRIPTION
1	NOTES
2	KEY CONFIGURATIONS
3	BLADE SEALED ASSEMBLY
4	SYSTEM PACKAGING
5	BOM



NOTES: VALID UNLESS OTHERWISE SPECIFIED

1. GENERAL:
 a. APPLICATION SPECIFICATION SEE: AS-33472-100
 CONTAINS: PRODUCT INTRODUCTION, PRODUCT SUMMARY, CONNECTOR ASSEMBLY, PACKAGING INFORMATION, CONNECTOR MATING, SERVICE INSTRUCTIONS, ELECTRICAL CONTINUITY CHECKING, CRIMPING, AND TROUBLESHOOTING.
 -DESIGNED TO MATE WITH RECEPTACLE SEALED ASSEMBLY SPECIFIED IN MOLEX DRAWING SD-33472-041.
 -FOR 15mm BLADE TERMINALS TO BE USED WITH THIS ASSEMBLY SEE MOLEX DRAWING SD-33000-001.
 - SYSTEM TO BE USED WITH WIRE WITH DIAMETER RANGE OF 1.4mm TO 2.69mm.
 -ASSEMBLY SHIPPED WITH PLR IN PRE-LOCK POSITION
 -IN THE EVENT THAT THE PLR IS FOUND IN THE SEATED (FINAL LOCK) POSITION, REFER TO MOLEX SPECIFICATION PS-34646-001, AVAILABLE AT www.molex.com <<http://www.molex.com>>
 -ASSEMBLY CONFORMS TO SAE/USCAR-2 REV.4 WITH THE FOLLOWING EXCEPTIONS:
 TERMINAL INSERTION FORCE FOR WIRE DIAMETER ABOVE 2.5mm NOT EXCEEDING 2.69mm SHALL NOT EXCEED 45 NEWTONS.

b. PRODUCT SPECIFICATION SEE: PS-33472-000
 CONTAINS: PRODUCT INTRODUCTION, PRODUCT SUMMARY, RATINGS (CURRENT, TEMPERATURE, SEALING, AND FLAMMABILITY), AND PRODUCT VALIDATION.

c. PACKAGING SPECIFICATION PER MOLEX DRAWING: PK-31300-635

d. PARTS MUST BE IN COMPLIANCE TO MOLEX CHEMICAL SUBSTANCES FOR PRODUCTS AND PACKAGING SPECIFICATION: ES-40000-5016

e. DATA MUST BE SUBMITTED UNDER THE MOLEX PART NUMBER TO IMDS (COMPANY ID#13255)

2. DESIGN - MATERIALS:
 a. CONNECTOR HOUSING, GROMMET CAP, PLR: SPS/NYLON 20% GLASS FILLED
 b. MAT SEAL: INTERNALLY LUBRICATED SILICONE

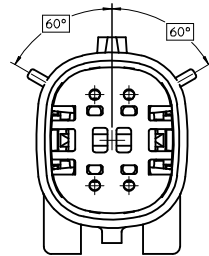
3. DESIGN - GEOMETRY:
 a. THIS IS A 100% CAD GENERATED PART. THE CAD MATHEMATICAL DATA IS THE MASTER FOR THIS PART. FOR DIMENSIONAL OR ANY INFORMATION NOT SHOWN ON THIS DRAWING, ANALYZE THE CAD MODEL.
 b. GEOMETRIC DIMENSIONS AND TOLERANCES PER ASME Y14.5M - 1994
 c. EDGES AND UNDIMENSIONED DETAILS PER ISO13715
 d. CORNERS SHOWN AS SHARP TO BE R 0.2 MAX.
 e. LETTERING SHALL BE 0.15 MAX RAISED IN 0.25 MAX RECESS PAD. THIS INCLUDES RECYCLING CODE, CAVITY ID, VENDOR IDENTIFICATION, AND CUSTOMER MATERIAL NUMBER.
 f. VISUAL DEFECTS SHALL MEET COSMETIC STANDARD PS-45499-002 (Class B)
 g. LASER MARKING: TBD

INSPECTION NUMBER LOG
 LAST NUMBER USED:
 ADDED:
 REMOVED:

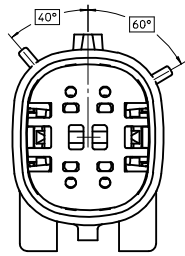
Q	UPDATED GROMMET CAP
P3	UPDATED DIMENSIONS
P2	UPDATED DIMENSIONS TO MATCH MODEL
P1	UPDATED NOTES
P	REDRAWN
REV	DESCRIPTION
SCALE	DESIGN UNITS
3:1	METRIC
	THIRD ANGLE PROJECTION

REVISED EC NO: UAU2003-1473 2013/03/17 DRAWN: RUTER 2013/03/20 CHKD: PROFFITT 2013/03/20 APPR: IKOSHY 2013/03/20	QUALITY SYMBOLS	GENERAL TOLERANCES (UNLESS SPECIFIED)	DIMENSION STYLE	TITLE
	▽=0	mm INCH	MM ONLY	MX150 2X2 BLADE SEALED ASSEMBLY MAT SEAL
	▽=0	4 PLACES ± --- ± ---	DRAWN BY DATE	DOCUMENT NO. SD-33482-041 SHEET NO. 1 OF 5
	▽=0	3 PLACES ± --- ± ---	CHECKED BY DATE	
▽=0	2 PLACES ±0.10 ± ---	DGRIFFI THS 06-22-06		
▽=0	1 PLACE ±0.3 ± ---	APPROVED BY DATE		
	0 PLACE ± ±	SMARCEAU 06-22-06	MATERIAL NO. SEE BOM	
	ANGULAR ± 3 °		SIZE D	
	DRAFT WHERE APPLICABLE MUST REMAIN WITHIN DIMENSIONS			

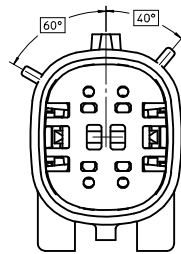
KEY CONFIGURATIONS



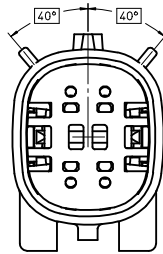
KEY A



KEY B

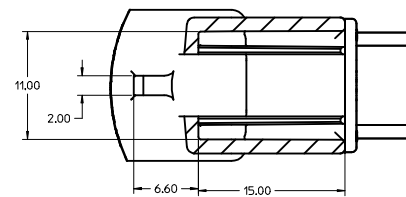
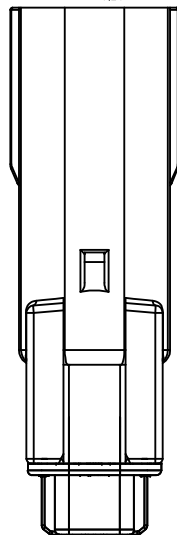
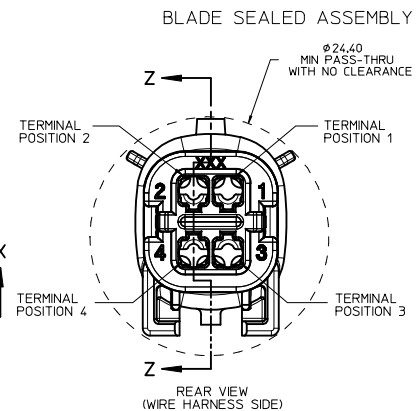
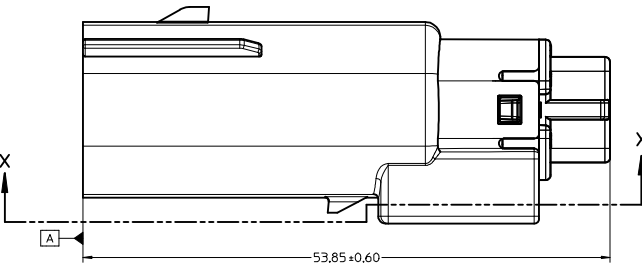
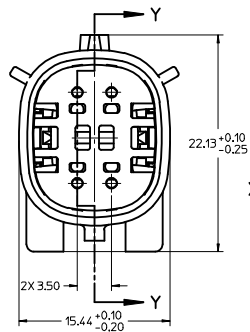
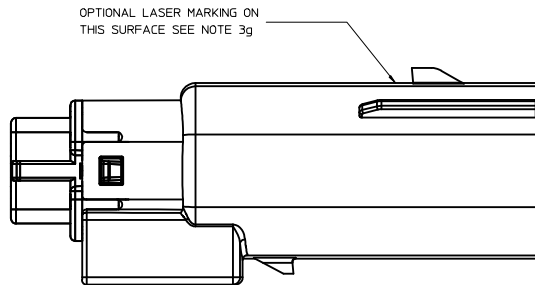


KEY C

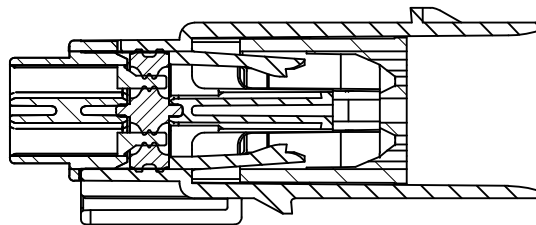


KEY D

REVISED IEC NO. UAU2013-1473 DRAWN BY: RUTTER CHYK: APPROFIT APPR: VIKOSHY	2013/03/17 2013/03/20 2013/03/20	QUALITY SYMBOLS ▽=0 ▽=0 ▽=0	GENERAL TOLERANCES (UNLESS SPECIFIED)		DIMENSION STYLE MM ONLY	SCALE 4:1	DESIGN UNITS METRIC	THIRD ANGLE PROJECTION
			4 PLACES ± mm ± INCH 3 PLACES ± --- ± --- 2 PLACES ± 0.10 ± --- 1 PLACE ± 0.3 ± --- 0 PLACE ± ±	DRAWN BY: MYANSLAMBROU CHECKED BY: DGRIFFITHS APPROVED BY: SMARCEAU	DATE: 04-27-06 DATE: 06-22-06 DATE: 06-22-06	TITLE MX150 2X2 BLADE SEALED ASSEMBLY MAT SEAL	MATERIAL NO. SEE BOM	DOCUMENT NO. SD-33482-041
DRAFT WHERE APPLICABLE MUST REMAIN WITHIN DIMENSIONS			ANGULAR ± 3 °		THIS DRAWING CONTAINS INFORMATION THAT IS PROPRIETARY TO MOLEX INCORPORATED AND SHOULD NOT BE USED WITHOUT WRITTEN PERMISSION			

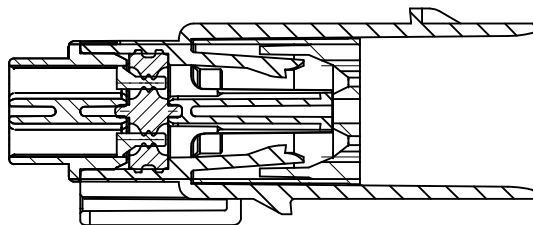


PARTIAL X-X
SCALE 4:1



PRIMARY LOCK REINFORCER (PLR) SHOWN
IN PRE-STAGED POSITION

SECTION Z-Z



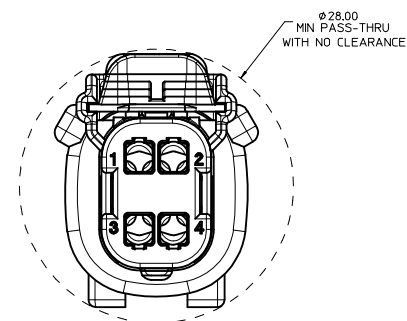
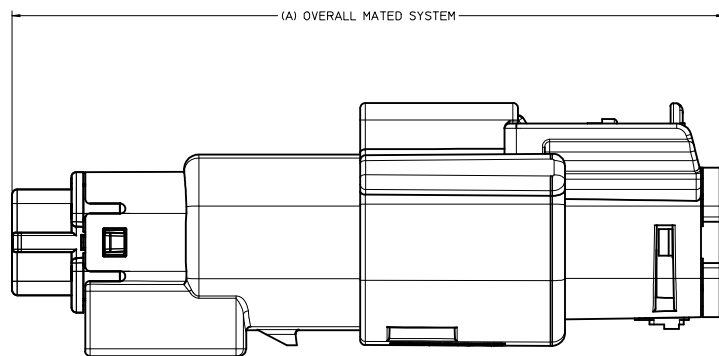
PRIMARY LOCK REINFORCER (PLR) SHOWN
IN FINAL LOCK POSITION

SECTION Y-Y

REVISED IEC NO. UAU2013-1473 DRAWN BY CHYKORUTTER CHECKED BY CHYKOROFF/IT APPR. BY KOSHY 2013/03/17 2013/03/20 2013/03/20	QUALITY SYMBOLS	GENERAL TOLERANCES (UNLESS SPECIFIED)	DIMENSION STYLE	SCALE	DESIGN UNITS	THIRD ANGLE PROJECTION	
	∇=0 ∇=0 ∇=0	mm INCH 4 PLACES ± --- ± --- 3 PLACES ± --- ± --- 2 PLACES ± 0.10 ± --- 1 PLACE ± 0.3 ± --- 0 PLACE ± ±	MM ONLY	4:1	METRIC	DRAWN BY DATE MYANSLAMBROU 04-27-06 CHECKED BY DATE DGRIFITHS 06-22-06 APPROVED BY DATE SMARCEAU 06-22-06	TITLE MX150 2X2 BLADE SEALED ASSEMBLY MAT SEAL molex
	ANGLULAR ± 3 ° DRAFT WHERE APPLICABLE MUST REMAIN WITHIN DIMENSIONS	MATERIAL NO. SEE BOM	DOCUMENT NO. SD-33482-041	SHEET NO. 3 OF 5			
	THIS DRAWING CONTAINS INFORMATION THAT IS PROPRIETARY TO MOLEX INCORPORATED AND SHOULD NOT BE USED WITHOUT WRITTEN PERMISSION						

20 19 18 17 16 15 14 13 12 11 10 9 8 7 6 5 4 3 2 1

SYSTEM PACKAGING



CHARTED DIMENSIONS		
RECEPTACLE ASSY PART NUMBER	CONFIGURATION	A
33472-0401 THRU 33472-0452	MX150 2X2 RECEPTACLE SEALED ASSEMBLY - STANDARD	72.78
33472-4401 THRU 33472-4412	MX150 2X2 RECEPTACLE SEALED ASSEMBLY - LENGTHENED	77.21

REVISED IEC NO. UAU2013-1473 DRAWN BY: J. RITTER CHKD: PROFFITT APPR: W. KOSHY	2013/03/17 2013/03/20 2013/03/20	QUALITY SYMBOLS ▽=0 ▽=0 ▽=0	GENERAL TOLERANCES (UNLESS SPECIFIED) mm INCH 4 PLACES ± .10 ± .004 3 PLACES ± .15 ± .006 2 PLACES ± 0.30 ± .012 1 PLACE ± 0.75 ± .030 0 PLACE ± 1.50 ± .060 ANGULAR ± 3 ° DRAFT WHERE APPLICABLE MUST REMAIN WITHIN DIMENSIONS	DIMENSION STYLE MM ONLY DRAWN BY: MYANSLAMBROU CHECKED BY: D. GRIFFITHS APPROVED BY: SMARCEAU	DATE: 04-27-06 DATE: 06-22-06 DATE: 06-22-06	SCALE: 4:1 DESIGN UNITS: METRIC THIRD ANGLE PROJECTION	TITLE: MX150 2X2 BLADE SEALED ASSEMBLY MAT SEAL molex	MATERIAL NO.: SEE BOM DOCUMENT NO.: SD-33482-041	SHEET NO.: 4 OF 5

19 18 17 16 15 14 13 12 11 10 9 8 7 6 5 4 3 2 1

ASSEMBLY PART NUMBER	COLOR	KEYING OPTION	CAVITY TYPE & STATUS (X = PLUGGED)				STATUS	COMMENTS
			1	2	3	4		
33482-0401	BLACK	A					SALEABLE	RECOMMENDED, TEMPERATURE CLASS 4 (-40°C TO 150°C)
33482-0402	LIGHT GRAY	B					SALEABLE	RECOMMENDED, TEMPERATURE CLASS 4 (-40°C TO 150°C)
33482-0403	BROWN	C					DESIGN CONCEPT	NOT RECOMMENDED, USE 33482-4403, SAME KEY IN DIFFERENT COLOR
33482-0404	GREEN	D					DESIGN CONCEPT	NOT RECOMMENDED, USE 33482-4404, SAME KEY IN DIFFERENT COLOR
33482-0406	BLACK	A		X			SALEABLE	RECOMMENDED, TEMPERATURE CLASS 4 (-40°C TO 150°C)
33482-0407	LIGHT GRAY	B		X			SALEABLE	RECOMMENDED, TEMPERATURE CLASS 4 (-40°C TO 150°C)
33482-0408	BROWN	C		X			DESIGN CONCEPT	NOT RECOMMENDED, USE 33482-4405, SAME KEY IN DIFFERENT COLOR
33482-0409	GREEN	D		X			DESIGN CONCEPT	NOT RECOMMENDED, USE 33482-4406, SAME KEY IN DIFFERENT COLOR
33482-0411	BLACK	A		X	X		SALEABLE	RECOMMENDED, TEMPERATURE CLASS 4 (-40°C TO 150°C)
33482-0412	LIGHT GRAY	B		X	X		SALEABLE	RECOMMENDED, TEMPERATURE CLASS 4 (-40°C TO 150°C)
33482-0413	BROWN	C		X	X		DESIGN CONCEPT	NOT RECOMMENDED, USE 33482-4407, SAME KEY IN DIFFERENT COLOR
33482-0414	GREEN	D		X	X		DESIGN CONCEPT	NOT RECOMMENDED, USE 33482-4408, SAME KEY IN DIFFERENT COLOR
33482-0416	BLACK	A	X	X	X	X	SALEABLE	RECOMMENDED, TEMPERATURE CLASS 4 (-40°C TO 150°C)
33482-0417	LIGHT GRAY	B	X	X	X	X	SALEABLE	RECOMMENDED, TEMPERATURE CLASS 4 (-40°C TO 150°C)
33482-0418	BROWN	C	X	X	X	X	DESIGN CONCEPT	NOT RECOMMENDED, USE 33482-4409, SAME KEY IN DIFFERENT COLOR
33482-0419	GREEN	D	X	X	X	X	DESIGN CONCEPT	NOT RECOMMENDED, USE 33482-4410, SAME KEY IN DIFFERENT COLOR
33482-0421	BLACK	A	X	X	X		SALEABLE	RECOMMENDED, TEMPERATURE CLASS 4 (-40°C TO 150°C)
33482-0422	BLACK	A				X	SALEABLE	RECOMMENDED, TEMPERATURE CLASS 4 (-40°C TO 150°C)
33482-0423	BLACK	A			X	X	SALEABLE	RECOMMENDED, TEMPERATURE CLASS 4 (-40°C TO 150°C)
33482-0424	BLACK	A			X		SALEABLE	RECOMMENDED, TEMPERATURE CLASS 4 (-40°C TO 150°C)
33482-0425	BLACK	A	X	X			SALEABLE	RECOMMENDED, TEMPERATURE CLASS 4 (-40°C TO 150°C)
33482-4403	DARK GRAY	C					SALEABLE	RECOMMENDED, TEMPERATURE CLASS 4 (-40°C TO 150°C)
33482-4404	STONE GRAY	D					SALEABLE	RECOMMENDED, TEMPERATURE CLASS 4 (-40°C TO 150°C)
33482-4405	DARK GRAY	C		X			SALEABLE	RECOMMENDED, TEMPERATURE CLASS 4 (-40°C TO 150°C)
33482-4406	STONE GRAY	D		X			SALEABLE	RECOMMENDED, TEMPERATURE CLASS 4 (-40°C TO 150°C)
33482-4407	DARK GRAY	C		X	X		SALEABLE	RECOMMENDED, TEMPERATURE CLASS 4 (-40°C TO 150°C)
33482-4408	STONE GRAY	D		X	X		SALEABLE	RECOMMENDED, TEMPERATURE CLASS 4 (-40°C TO 150°C)
33482-4409	DARK GRAY	C	X	X	X	X	SALEABLE	RECOMMENDED, TEMPERATURE CLASS 4 (-40°C TO 150°C)
33482-4410	STONE GRAY	D	X	X	X	X	SALEABLE	RECOMMENDED, TEMPERATURE CLASS 4 (-40°C TO 150°C)
33482-4411	BLACK	A		X		X	SALEABLE	RECOMMENDED, TEMPERATURE CLASS 4 (-40°C TO 150°C)

REVISED IEC NO. UAU2013-1473 2013/03/17 DRAWN BY: CHYD-APPROF/ITT 2013/03/20 APPR: VKOSHY 2013/03/20	QUALITY SYMBOLS ∇=0 ∇=0 ∇=0	GENERAL TOLERANCES (UNLESS SPECIFIED) mm INCH 4 PLACES ±0.10 ±0.004 3 PLACES ±0.15 ±0.005 2 PLACES ±0.20 ±0.007 1 PLACE ±0.30 ±0.012 0 PLACE ± ±		DIMENSION STYLE MM ONLY DRAWN BY: MYANSLAMBROU DATE: 04-27-06 CHECKED BY: DGRIFITHS DATE: 06-22-06 APPROVED BY: SMARCEAU DATE: 06-22-06		SCALE METRIC	DESIGN UNITS METRIC	THIRD ANGLE PROJECTION
		ANGULAR ± 3 ° DRAFT WHERE APPLICABLE MUST REMAIN WITHIN DIMENSIONS		MATERIAL NO. SEE BOM		DOCUMENT NO. SD-33482-041	SHEET NO. 5 OF 5	