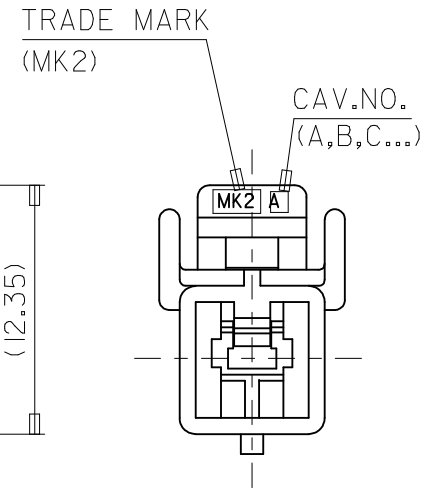
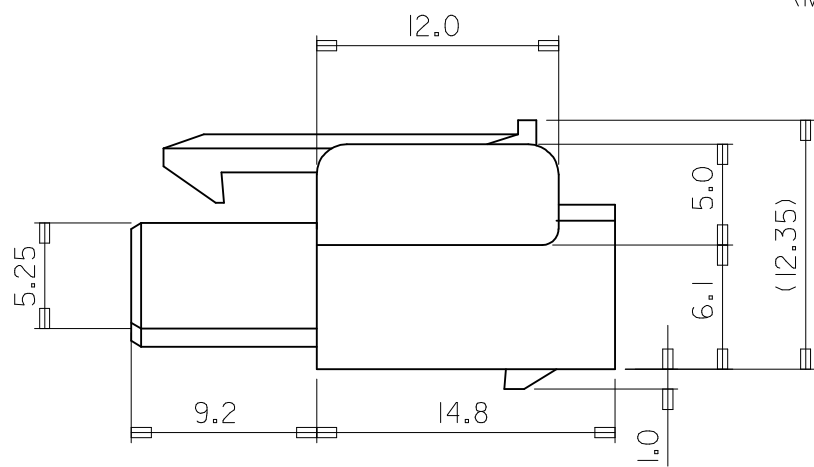
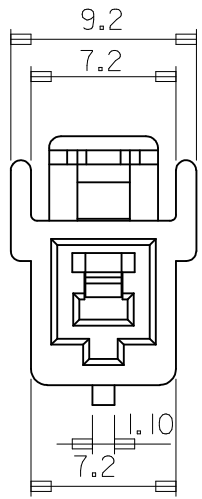
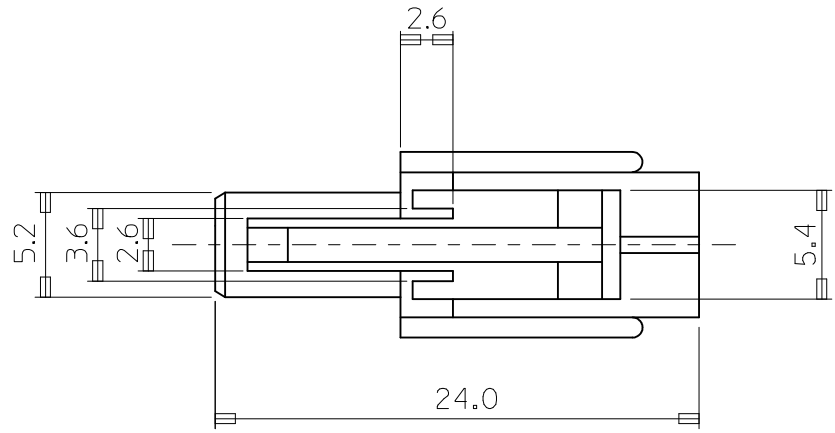


10 9 8 7 6 5 4 3 2 1

- NOTES
1. HOUSING COLOR: SEE TABLE
 2. MATING HOUSING: 35150-0100
 3. APPLICABLE TERMINAL: 35746-0*10
 4. APPLICABLE TPA: 35182-019*



NO	PRODUCT		MATERIAL	
	PART NO	MATERIAL NO	COLOR	DESCRIPTION
1	35151-0110	351510110	NATURAL	PBT (UL94V-0)
2	35151-0112	351510112	RED	
3	35151-0114	351510114	BLUE	PBT/PC
4	35151-0119	351510119	NATURAL	

REVISED
 EC NO: KOR2014-0009
 DRWN: JHPARK01 2008/06/30
 CHKD: SHCHU
 APPR: YSKIM02 2013/09/03

QUALITY SYMBOLS

GENERAL TOLERANCES (UNLESS SPECIFIED)

	mm	INCH
4 PLACES	± ---	± ---
3 PLACES	± ---	± ---
2 PLACES	± ---	± ---
1 PLACE	± 0.3	± ---

ANGULAR ± 1°

DRAFT WHERE APPLICABLE
 MUST REMAIN
 WITHIN DIMENSIONS

DIMENSION STYLE
MM ONLY

DRAWN BY: WY. YANG
 DATE: 1995/11/08

CHECKED BY: BK. CHOI
 DATE: 1995/11/08

APPROVED BY: CW. LEE
 DATE: 1995/11/08

MATERIAL NO. SEE TABLE

SIZE: A3

SCALE: 4/1

DESIGN UNITS: METRIC

THIRD ANGLE PROJECTION

TITLE: .070 W/W PLUG HSG-1P

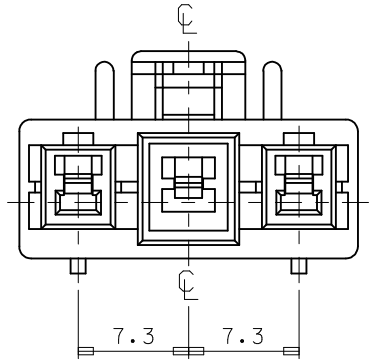
MOLEX INCORPORATED

DOCUMENT NO. SD-35151-0110

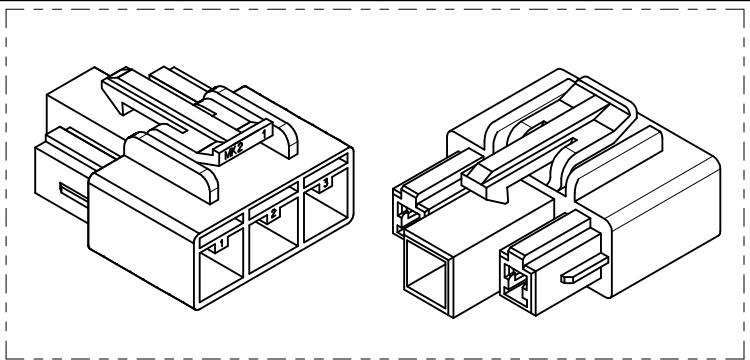
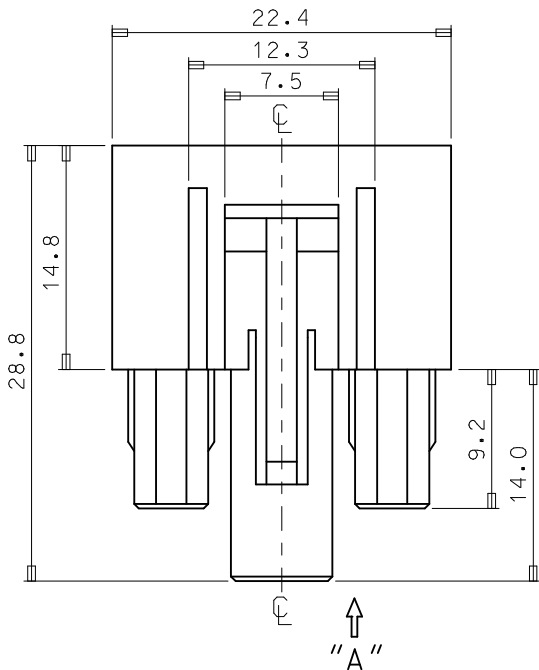
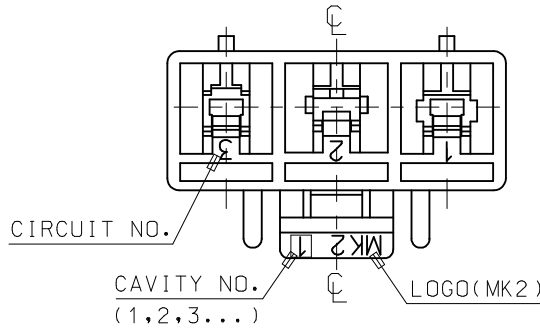
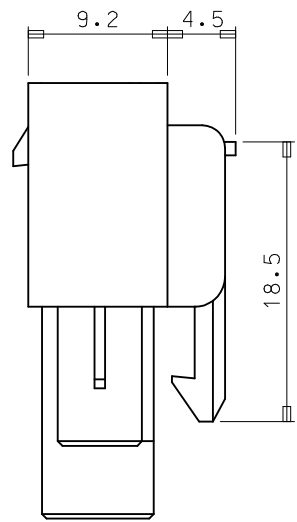
SHEET NO. 1 OF 01

THIS DRAWING CONTAINS INFORMATION THAT IS PROPRIETARY TO MOLEX INCORPORATED AND SHOULD NOT BE USED WITHOUT WRITTEN PERMISSION

9 8 7 6 5 4 3 2 1



VIEW "A"



- NOTES
- MATERIAL · COLOR : SEE TABLE
 - MATED HOUSING : 35150-*30*
35150-*31*
35150-039*(T.P.A)
 - APPLICABLE TERMINAL : 35746-0*10 (1 CIRCUIT)
35745-0*10 (2 CIRCUIT)
35748-0*10 (3 CIRCUIT)

BLUE COLOR	PET/PC (UL94V-0)	35151-4319	351514319	6
YELLOW COLOR		35151-3319	351513319	5
RED COLOR		35151-2319	351512319	4
NATURAL COLOR		35151-0319	351510319	3
BLUE COLOR	PBT (UL94V-0)	35151-0314	351510314	2
NATURAL COLOR		35151-0310	351510310	1
FINISH	DESCRIPTION	ORDER NO	MATERIAL NO	NO
MATERIAL		PRODUCT		

[TABLE]

REVISED EC NO: KOR2013-0115 DRWN: JSSHIN 2013/06/12 CHKD: SHCHU 2013/07/04 APPR: YSKI MO2 2013/07/11	QUALITY SYMBOLS ▽=0 ◻=0	GENERAL TOLERANCES (UNLESS SPECIFIED)		DIMENSION STYLE MM ONLY		SCALE 3:1	DESIGN UNITS METRIC	THIRD ANGLE PROJECTION		
			mm	INCH	DRAWN BY WY. YANG	DATE 1992/11/17	TITLE 7.3 PITCH W/W CONN. FEMALE HOUSING -3P			
		4 PLACES	± ---	± ---	CHECKED BY BK. CHOI	DATE 1992/11/17	MOLEX INCORPORATED DOCUMENT NO. SD-35151-031* SHEET NO. 1 OF 01			
		3 PLACES	± ---	± ---	APPROVED BY CW. LEE	DATE 1992/11/17				
2 PLACES	± ---	± ---	ANGULAR ± 1 °		MATERIAL NO. SEE TABLE		DRAFT WHERE APPLICABLE MUST REMAIN WITHIN DIMENSIONS			
1 PLACE	± 0.3	± ---			SIZE A3		THIS DRAWING CONTAINS INFORMATION THAT IS PROPRIETARY TO MOLEX INCORPORATED AND SHOULD NOT BE USED WITHOUT WRITTEN PERMISSION			