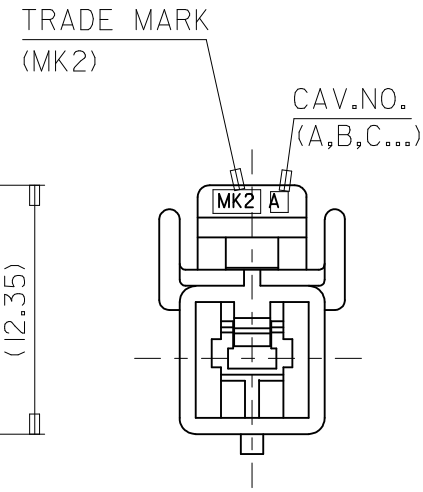
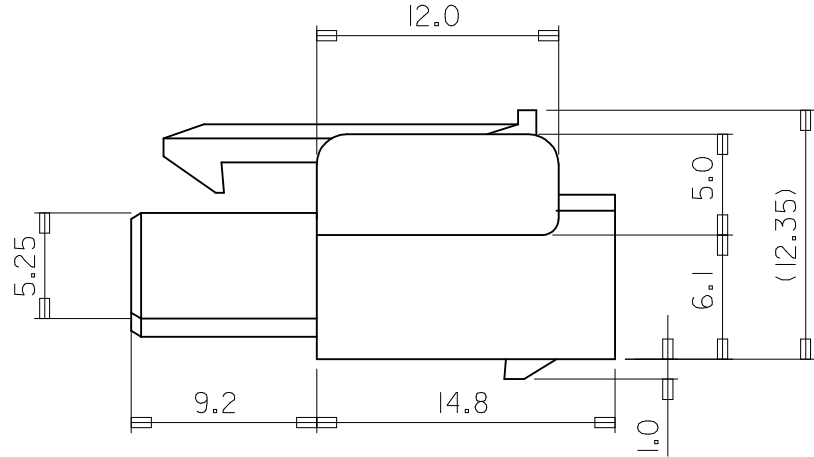
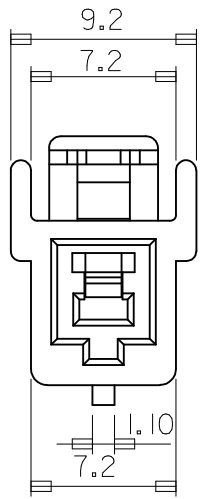
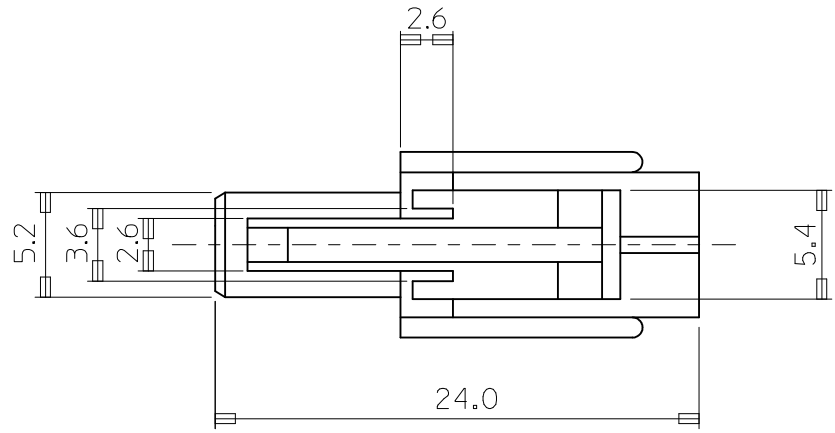


10 9 8 7 6 5 4 3 2 1

- NOTES
1. HOUSING COLOR: SEE TABLE
 2. MATING HOUSING: 35150-0100
 3. APPLICABLE TERMINAL: 35746-0*10
 4. APPLICABLE TPA: 35182-019*



NO	PRODUCT		MATERIAL	
	PART NO	MATERIAL NO	COLOR	DESCRIPTION
1	35151-0110	351510110	NATURAL	PBT (UL94V-0)
2	35151-0112	351510112	RED	
3	35151-0114	351510114	BLUE	PBT/PC
4	35151-0119	351510119	NATURAL	

REVISED
 EC NO: KOR2014-0009
 DRWN: JHPARK01 2008/06/30
 CHKD: SHCHU
 APPR: YSKIM02 2013/09/03

QUALITY SYMBOLS = 0 = 0	GENERAL TOLERANCES (UNLESS SPECIFIED)	
	mm	INCH
	4 PLACES	± --- ± ---
	3 PLACES	± --- ± ---
	2 PLACES	± --- ± ---
1 PLACE	± 0.3 ± ---	
ANGULAR ± 1°		
DRAFT WHERE APPLICABLE MUST REMAIN WITHIN DIMENSIONS		

DIMENSION STYLE MM ONLY	
DRAWN BY WY. YANG	DATE 1995/11/08
CHECKED BY BK. CHOI	DATE 1995/11/08
APPROVED BY CW. LEE	DATE 1995/11/08
MATERIAL NO. SEE TABLE	

SCALE 4/1	DESIGN UNITS METRIC	THIRD ANGLE PROJECTION
TITLE .070 W/W PLUG HSG-1P		
MOLEX INCORPORATED		SHEET NO. 1 OF 01
DOCUMENT NO. SD-35151-0110		
THIS DRAWING CONTAINS INFORMATION THAT IS PROPRIETARY TO MOLEX INCORPORATED AND SHOULD NOT BE USED WITHOUT WRITTEN PERMISSION		

9 8 7 6 5 4 3 2 1