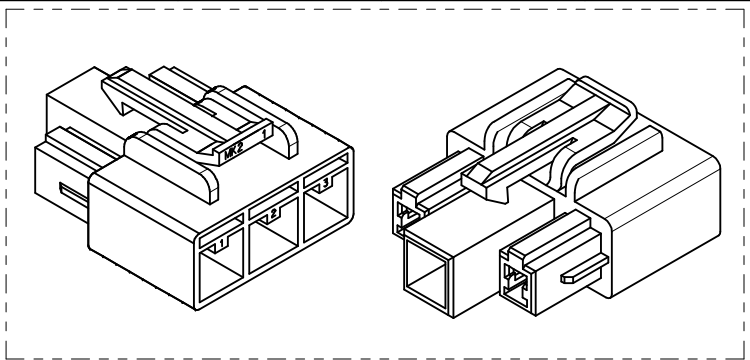
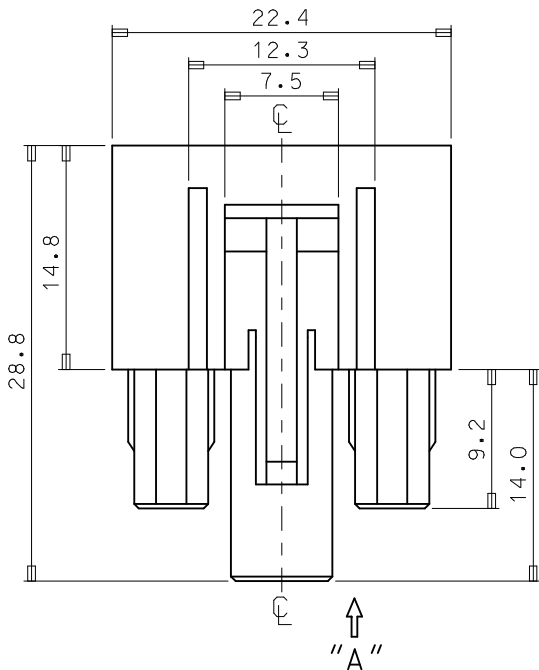
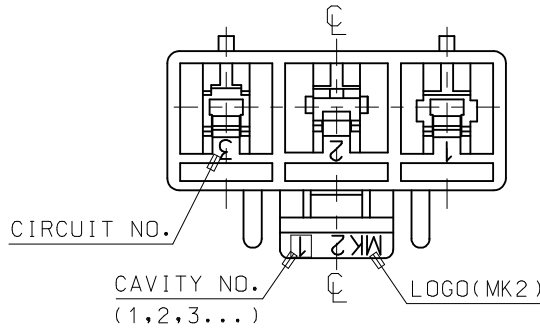
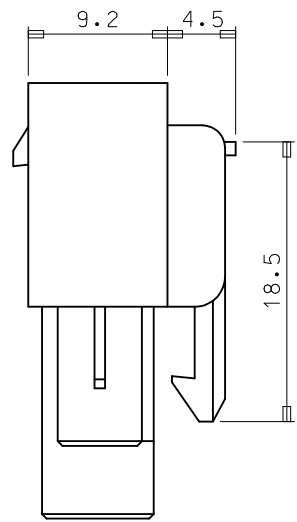


VIEW "A"



- NOTES
- MATERIAL · COLOR : SEE TABLE
  - MATED HOUSING : 35150-\*30\*  
35150-\*31\*  
35150-039\*(T.P.A)
  - APPLICABLE TERMINAL : 35746-0\*10 (1 CIRCUIT)  
35745-0\*10 (2 CIRCUIT)  
35748-0\*10 (3 CIRCUIT)

FINISH	DESCRIPTION	ORDER NO	MATERIAL NO	NO
BLUE COLOR	PET/PC (UL94V-0)	35151-4319	351514319	6
YELLOW COLOR		35151-3319	351513319	5
RED COLOR		35151-2319	351512319	4
NATURAL COLOR		35151-0319	351510319	3
BLUE COLOR	PBT (UL94V-0)	35151-0314	351510314	2
NATURAL COLOR		35151-0310	351510310	1
MATERIAL		PRODUCT		NO

[TABLE]

REVISED EC NO: KOR2013-0115 DRWN: JSSHIN 2013/06/12 CHKD: SHCHU 2013/07/04 APPR: YSKI MO2 2013/07/11	QUALITY SYMBOLS ▽=0 ◻=0	GENERAL TOLERANCES (UNLESS SPECIFIED)		DIMENSION STYLE MM ONLY		SCALE 3:1	DESIGN UNITS METRIC	THIRD ANGLE PROJECTION			
				mm	INCH	DRAWN BY	DATE	TITLE			
		4 PLACES	± ---	± ---		WY. YANG	1992/11/17	7.3 PITCH W/W CONN. FEMALE HOUSING -3P			
		3 PLACES	± ---	± ---		CHECKED BY	DATE				
2 PLACES	± ---	± ---		BK. CHOI	1992/11/17	MOLEX INCORPORATED					
1 PLACE	± 0.3	± ---		APPROVED BY	DATE						
		ANGULAR ± 1 °		CW. LEE	1992/11/17	DOCUMENT NO.		SHEET NO.			
		DRAFT WHERE APPLICABLE MUST REMAIN WITHIN DIMENSIONS		SEE TABLE		SD-35151-031*		1 OF 01			
D1	REV			SIZE	THIS DRAWING CONTAINS INFORMATION THAT IS PROPRIETARY TO MOLEX INCORPORATED AND SHOULD NOT BE USED WITHOUT WRITTEN PERMISSION						