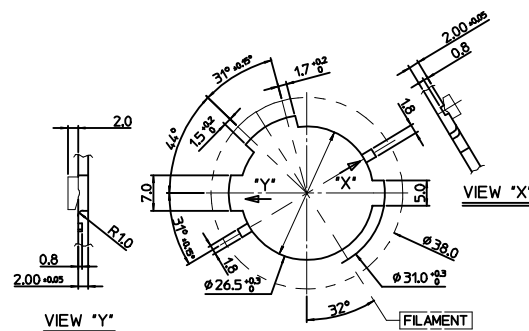
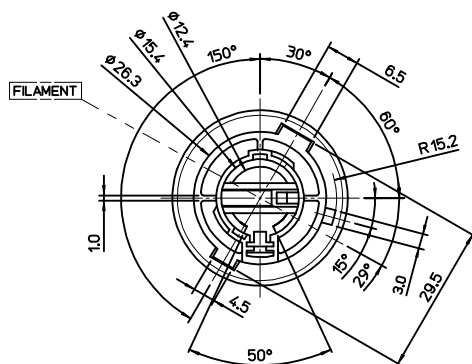
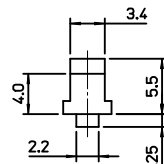
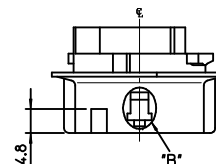
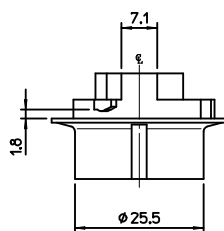
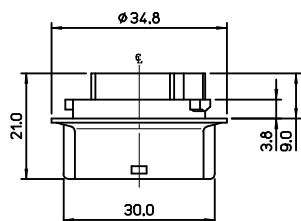


VIEW "A"



MOUNTING INTERFACE (MI-11)



DETAIL "B"  
SCALE 2:1

NOTES

1. FOCAL LENGTH = 31.8mm
2. APPLICABLE BULB CAP: PY21W(BAU15s)
3. MATES WITH

NO.	DESCRIPTION	MATERIAL	ORDER NO.	REMARK
②	POSITIVE TERMINAL	PHOSPHOR BRONZE	35438-8000	UNPLATED
③	EARTH TERMINAL	PHOSPHOR BRONZE	35439-8000	UNPLATED

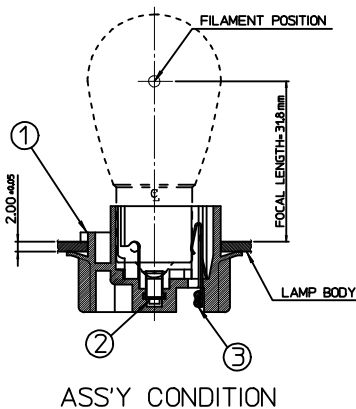
<PART LIST>

NO.	DESCRIPTION	MATERIAL	USAGE	REMARK
①	SINGLE SOCKET	PA66 M/F	1	B TYPE

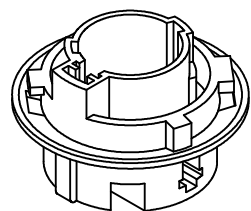
<TABLE 1>

MATERIAL NO.	ORDER NO.	COLOR
355330211	35533-0211	BLACK
355330215	35533-0215	GRAY
355330216	35533-0216	WHITE

DESIGN UNITS: METRIC  
THIRD ANGLE PROJECTION



ASS'Y CONDITION



ISOVIEW

ADDED OPTION	EC NO: KTR2013-0028
DRWN: HIMOON	2013/03/27
CHKD: BCY00N	2013/03/27
APPR: JYCHO1	2013/05/16

REV	DESCRIPTION

QUALITY SYMBOLS	GENERAL TOLERANCES (UNLESS SPECIFIED)
▽=0	mm INCH
∇=0	4 PLACES ± --- ± ---
	3 PLACES ± --- ± ---
	2 PLACES ± 0.2 ± ---
	1 PLACE ± 0.3 ± ---
	ANGULAR ± 3 °
	DRAFT WHERE APPLICABLE MUST REMAIN WITHIN DIMENSIONS

DIMENSION STYLE	SCALE	TITLE
MM ONLY	1:1	NON-SEALED BULB SOCKET SINGLE HOUSING ASS'Y (B-TYPE)
DRAWN BY	DATE	MOLEX INCORPORATED
JSKANG	1998/01/31	
CHECKED BY	DATE	DOCUMENT NO. SD-35533-002
BKCHO1	1998/01/31	
APPROVED BY	DATE	SHEET NO. 1 OF 1
CWLEE	1998/01/31	
MATERIAL NO.	SIZE	THIS DRAWING CONTAINS INFORMATION THAT IS PROPRIETARY TO MOLEX INCORPORATED AND SHOULD NOT BE USED WITHOUT WRITTEN PERMISSION
SEE TABLE 1	A3	