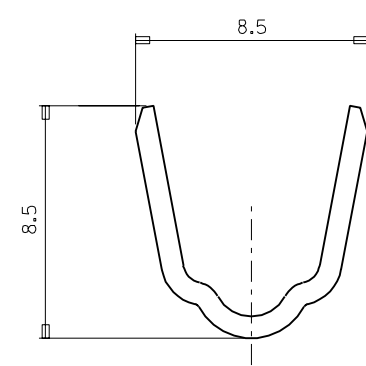
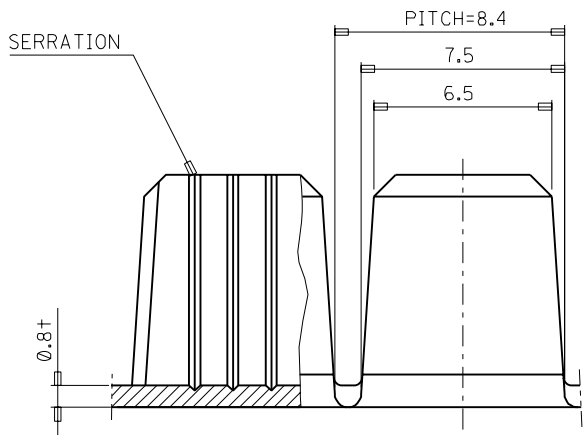


8 7 6 5 4 3 2 1

ENG. NO SD 35760-5200  
 EDP NO.  
 SIMILAR ITEM  
 PROJECT NO.  
 DO NOT SCALE DRAWING  
 DIMENSION IN METRIC



		ASS'Y PART		QTY/REEL OR PACK	SURFACE AREA	MATERIAL	BRASS , 0.8+	WIRE RANGE	GENERAL TOLERANCES	molex MOLEX-KOREA CO.,LTD.		
		DESCRIPTION	ENG.NO.	---	--- MM <sup>2</sup>	DIMENSION CLASSIFICATION		AWG:	DIM. : +0.3			REVISE ONLY ON CAD SYSTEM
		---	---	DIE NO.	LAYOUT NO.	<input checked="" type="checkbox"/> : CRITICAL <input checked="" type="checkbox"/> : MAJOR <input type="checkbox"/> : MINOR        ( ) : REFERENCE		MM <sup>2</sup> :	TITLE:		lof l	
		---	---	WIRE CRIMP WIDTH	INS. CRIMP WIDTH	DRAWN BY	CHK'D BY	INSULATION RANGE	AK 3317 SPLICE		REV	
A	CAD REDRAWING	94-003	94.5.19	---	---	W.Y.YANG			ENG.NO.		A	
LTR	REVISION RECORD	ECN	DR/CHK	DATE	DIE FEED	APPL FEED	WBDW	IBDW	APP'D BY	SCALE	SD 35760-5200	MK-9

8 7 6 5 4 3 2 1