



IP 67 plastic hoods
IP 67 metallized plastic hoods

Identification No. of contacts Part No. Drawing Dimensions in mm

D-Sub

Hood¹⁾
Black thermoplastic

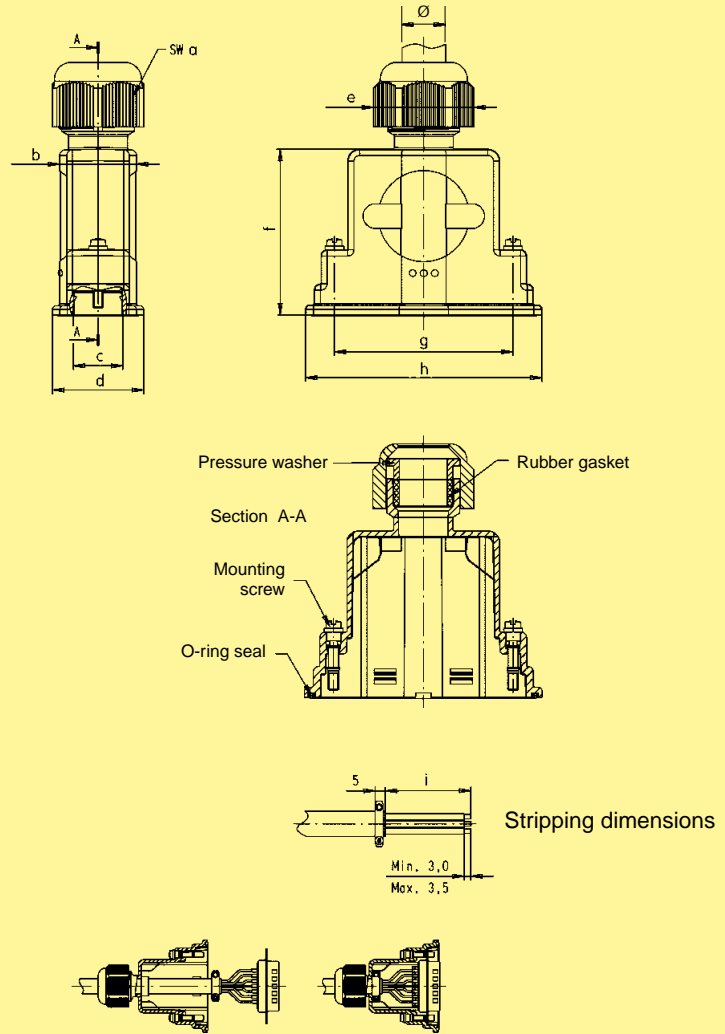
9	09 67 009 043
15	09 67 015 043
25	09 67 025 043
37	09 67 037 043
50	09 67 050 043

Metallized thermo-
plastic

9	09 67 009 053
15	09 67 015 053
25	09 67 025 053
37	09 67 037 053
50	09 67 050 053

Please insert digit
for screw option

Locking screw, thread 4-40 UNC	▶ 8
Locking screw, thread M3	▶ 9



Mounting instructions:

- The peeled back cable braiding must not extend over the cable clamp, in order not to damage the gasket or to impair its performance.
- Pull back cable until cable clamp snaps into shielding plate.
- Snap connector into hood.

	a	b	c	d	e	f	g	h	i	Ø	
										min.	max.
9	20	16.5	13.0	20.2	22.1	36.4	25.0	39.8	18.0	6.0	8.0
15	24	16.5	13.0	20.2	26.6	36.4	33.3	48.5	18.0	6.0	10.5
25	24	20.3	13.0	24.0	26.6	43.6	47.0	62.3	45.0	8.0	12.0
37	24	20.3	13.0	24.0	26.6	52.1	63.5	78.6	60.0	8.0	12.0
50	29	22.0	16.0	27.6	32.1	52.1	61.1	75.7	60.0	9.0	14.0

¹⁾ Not to be used with 9 to 50-pole crimp connectors