



MICRO SWITCH

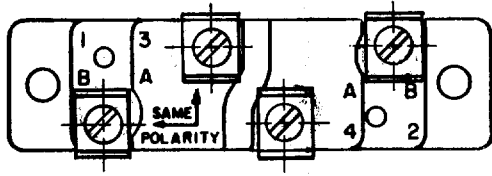
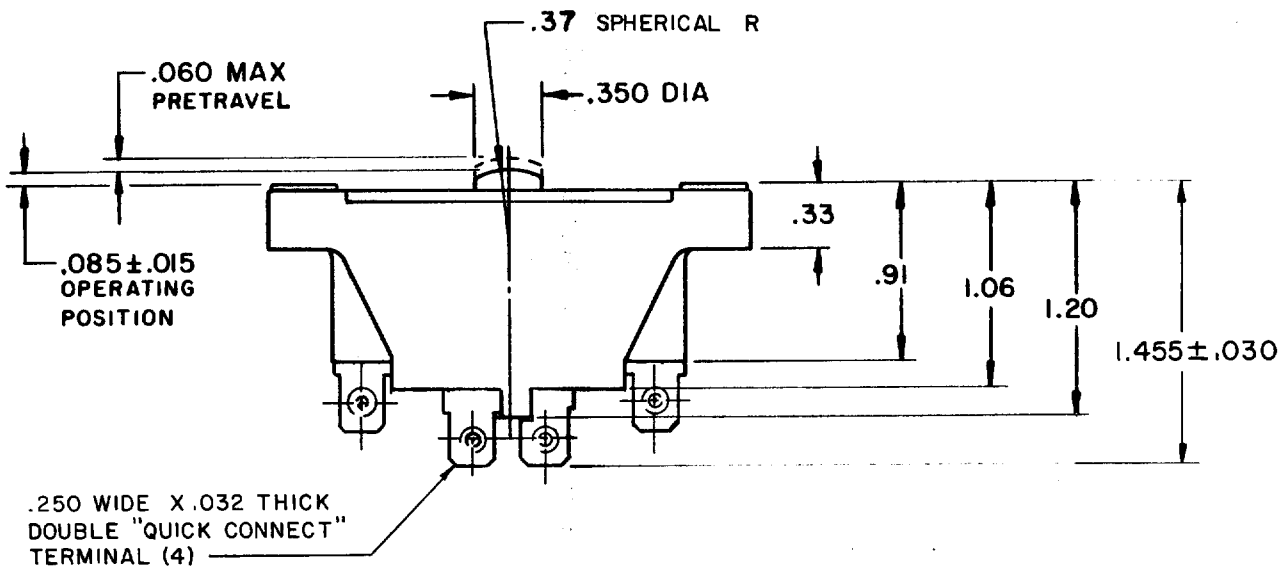
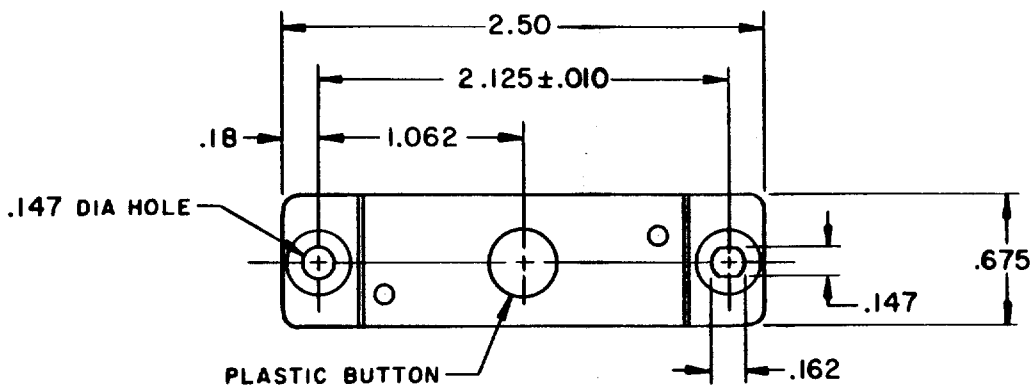
FREEPORT, ILLINOIS, U.S.A.
A DIVISION OF HONEYWELL

FED. MFG. CODE 91929

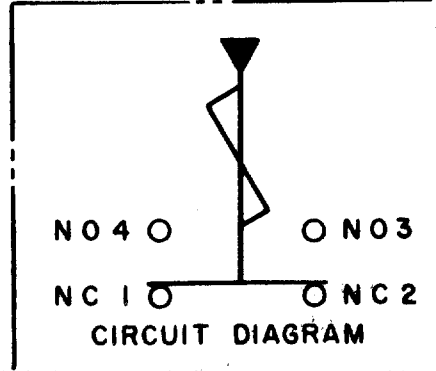
SWITCH - BASIC

CATALOG LISTING

3MN11



NOTE -
1 - MOUNTING HOLES WILL ACCEPT PINS OR SCREWS OF .139 MAX DIA ON 2.125 ± .005 CENTERS



THIS DRAWING COVERS A PROPRIETARY ITEM AND IS THE PROPERTY OF MICRO SWITCH, A DIVISION OF HONEYWELL. THIS DRAWING IS NOT TO BE COPIED OR USED WITHOUT THE APPROVAL OF MICRO SWITCH.

CHARACTERISTICS

OPERATING FORCE - - - - - 7 - 11 OZ

RELEASE FORCE - - - - - 4 OZ MIN

DIFFERENTIAL TRAVEL - - - - .015 - .025

OVERTRAVEL - - - - - .080 MIN

ELECTRICAL DATA

CONTACT ARRANGEMENT
SEE CIRCUIT DIAGRAM

SCALE FULL

DO NOT SCALE PRINT

UNLESS OTHERWISE NOTED
DIMENSIONS ARE IN INCHES

TOLERANCES ARE:

ONE PLACE (.0) ± .030
TWO PLACE (.00) ± .015
THREE PLACE (.000) ± .005
ANGLES ±

WEIGHT

3MN11

M

ISSUE

REVISIONS

CHECK

4 JAN '66

LSD

WEG

FO-50376

REPLACES

RELEASE NO. SR 12649

CHECK

CHECK

CHECK

29 DEC 66

DRAWN