

TECHNICAL CHARACTERISTICS

SPECIFICATION

- > **Contact Rating:**
 - Switching: 25mA, 24VDC
 - Non-Switching: 100mA, 50VDC
- > **Contact Resistance:**
 - Initial: 50mOHM max.
 - After Life Test: 100mOHM max.
- > **Insulation Resistance:** min. 100MOHM at 500VDC
- > **Dielectric Strength:** 500VAC for 1 minute
- > **Operating Force:** 1000g max.
- > **Mechanical Life:** min. 5000 cycles
- > **Electrical Life:** 2000 cycles / 25mA, 24VDC
- > **Flat Actuator Type**

MATERIAL

- > **Cover:** PPS UL 94V-0, color Black
- > **Base:** HTN UL 94V-0, color Black
- > **Actuator:** PA 46 UL 94V-0, color White
- > **Contact:** Gold Plated
- > **Terminal:** Tin Plated

SOLDERING INFORMATION

- > **Terminal in THT version**
- > **Wave soldering 260°C 10 sec. max**
- > **Hand soldering with 30W or under at 350°C for 3 sec. max**
or at 270°C for 5 sec. max
- > **Keep in "off" position during soldering**
- > **Ultrasonic cleaning not re-commended**
- > **Any inflow of Flux into the switch may influence the contact function**

ENVIRONMENTAL

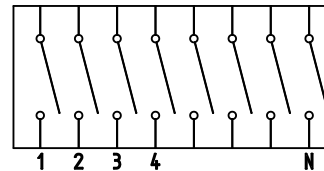
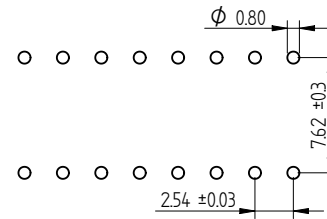
- > **Storage condition:** -40°C ~ +85°C
- > **Operation condition:** -40°C ~ +85°C
- > **Compliance:** Lead Free, ROHS, Reach

PACKAGING INFORMATION

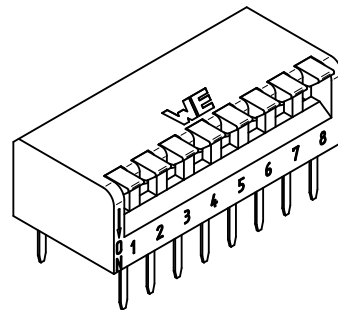
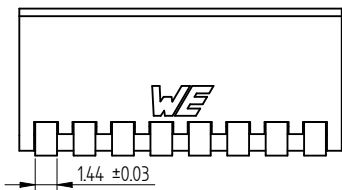
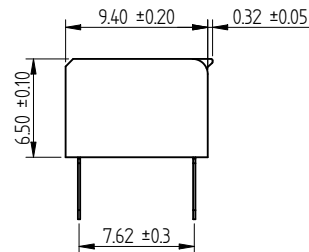
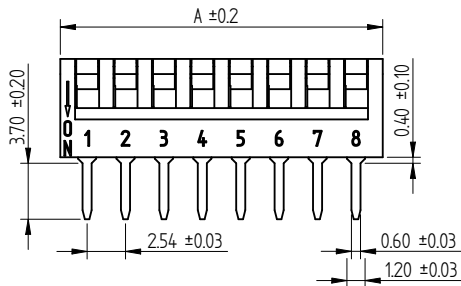
- > **Tube packaging only**
- > **On delivery in "off" position**

DIMENSION

No.Of Pole	2	3	4	5	6	7
Dim. A (mm)	6.08	8.62	11.16	13.70	16.24	18.78
No.Of Pole	8	10	12			
Dim. A (mm)	21.32	26.40	31.48			



Wiring Diagram



		GENERAL TOLERANCE		Basic material		
		.x = +/- 0,2 .xx = +/- 0,15				
		Date	Name	DESCRIPTION		
		Drawn	09-02-24	Jelisarow	WE-SWITCH_BOX_Type, Piano type	
		Checked			THT version, flat Actuator without top tape sealed	
				Scale	2:1	Position
				Drawing.- No. 4183171709xx		SIZE
						A4
REV	FILE	DATE	BY	EDV NO	4183171709xx.dft	System Solid Edge V20