

**Technical specification:**

Rated voltage: 300 V  
IEC 60664-1

Overvoltage category: 2  
IEC 60664-1

Overvoltage: 2,7 kV  
IEC 60664-1

Current rating: AWG 18 AWG 16  
IEC 60512-3 at 40°C 8 A 12 A

Insulation resistance: >=100 MΩ  
IEC 60512

Pollution degree: 3/2  
IEC 60664-1

Degree of protection: IP 67, in mated condition  
IEC 60529

Temperature range: -30°C ... +85°C  
IEC 60664-1

Mating cycles: >=100  
IEC 60512-9a

Termination: crimped

**Materials:**

Contact: CuZn

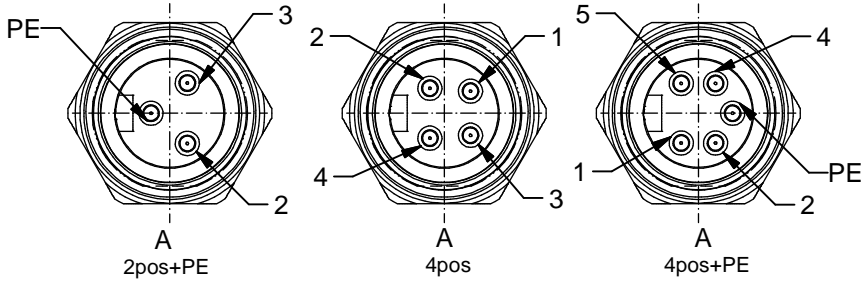
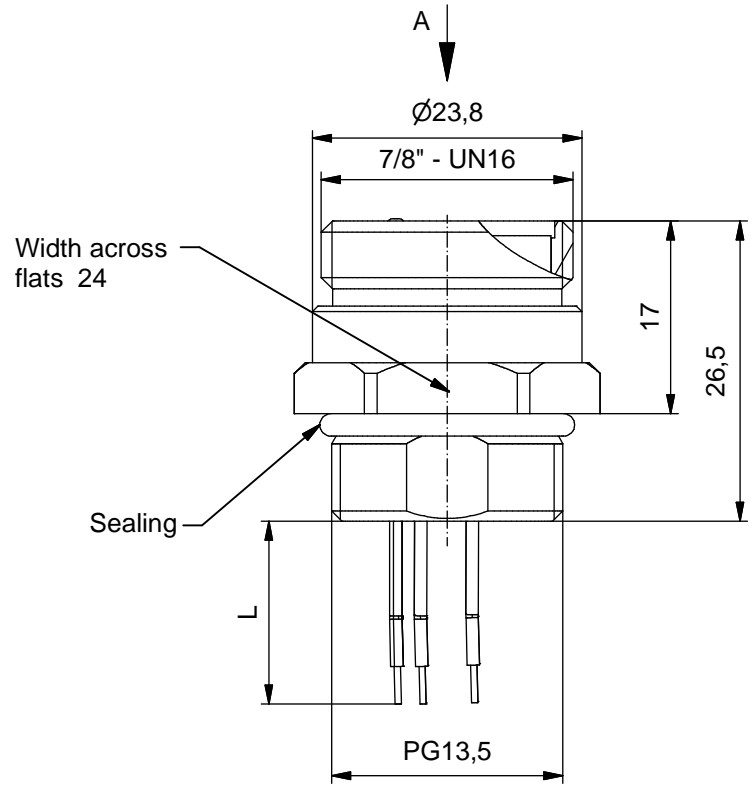
Contact plating: Nickel, gold plated

Contact carrier: TPU, UL 94

Sealing: FPM

Socket housing: CuZn, nickel plated

Counternut: CuZn, nickel plated



**Contact assignment:**

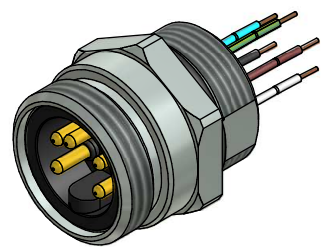
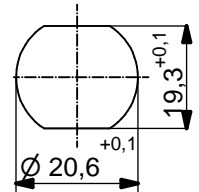
- PE ■ green-yellow
- 2 ■ brown
- 3 ■ blue

**Contact assignment:**

- 1 ■ brown
- 2 ■ white
- 3 ■ blue
- 4 ■ black

**Contact assignment:**

- 1 ■ black
- 2 ■ blue
- PE ■ green-yellow
- 4 ■ brown
- 5 ■ white



Part no:	Description:	Pos	Length L:	Wire:
41-40000	SAL - 7/8 - FS2PE - 0,5	3	0,5m	AWG 18 PVC, UL
41-40001	SAL - 7/8 - FS4 - 0,5	4	0,5m	
41-40002	SAL - 7/8 - FS4PE - 0,5	5	0,5m	
41-xxxxx	SAL - 7/8 - FS... - ...	x	x	
41-40009	SAL - 7/8 - FS2PE - 0,5 / 150	3	0,5m	AWG 16 PVC, UL
41-40010	SAL - 7/8 - FS4 - 0,5 / 150	4	0,5m	
41-40011	SAL - 7/8 - FS4PE - 0,5 / 150	5	0,5m	
41-xxxxx	SAL - 7/8 - FS... - ... / 150	x	x	

DO NOT ALTER CAD DRAWING BY HAND  
Directive 2002/95/EC RoHS compliant

Index: c 10.02.11 fro Ä3906  
Technical specification changed, data sheet revised

tolerance of wire: L <= 0,5m: L + 20mm  
L > 0,5m: L + 4%

THIS DRAWING MAY NOT BE COPIED OR REPRODUCED IN ANY WAY, AND MAY NOT BE PASSED ON TO A THIRD PARTY WITHOUT WRITTEN PERMISSION.  
OWNERSHIP AND COPYRIGHT OF CONEC GmbH

dim. in mm

	date	name
drawn	20.02.07	Fromm
appd.	10.08.08	W.Schmidt

**CONEC**®

title:  
**Male socket 7/8" with wires, frontmounting**

dwg no:  
**41K1A376**

part no: