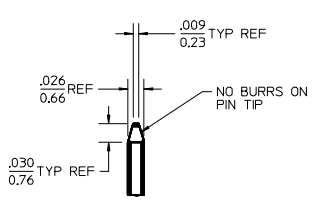
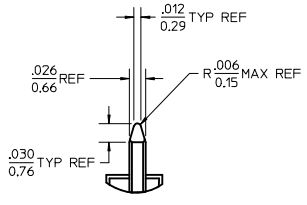


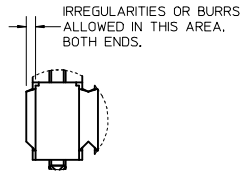
CKTS	DIM A	DIM B
2	.200/5.08	.100/2.54
3	.300/7.62	.200/5.08
4	.400/10.16	.300/7.62
5	.500/12.70	.400/10.16
6	.600/15.24	.500/12.70
7	.700/17.78	.600/15.24
8	.800/20.32	.700/17.78
9	.900/22.86	.800/20.32
10	1.000/25.40	.900/22.86
11	1.100/27.94	1.000/25.40
12	1.200/30.48	1.100/27.94
13	1.300/33.02	1.200/30.48
14	1.400/35.56	1.300/33.02
15	1.500/38.10	1.400/35.56
16	1.600/40.64	1.500/38.10
17	1.700/43.18	1.600/40.64
18	1.800/45.72	1.700/43.18
19	1.900/48.26	1.800/45.72
20	2.000/50.80	1.900/48.26
21	2.100/53.34	2.000/50.80
22	2.200/55.88	2.100/53.34
23	2.300/58.42	2.200/55.88
24	2.400/60.96	2.300/58.42
25	2.500/63.50	2.400/60.96
26	2.600/66.04	2.500/63.50
27	2.700/68.58	2.600/66.04
28	2.800/71.12	2.700/68.58
29	2.900/73.66	2.800/71.12
30	3.000/76.20	2.900/73.66
31	3.100/78.74	3.000/76.20
32	3.200/81.28	3.100/78.74
33	3.300/83.82	3.200/81.28
34	3.400/86.36	3.300/83.82
35	3.500/88.90	3.400/86.36
36	3.600/91.44	3.500/88.90



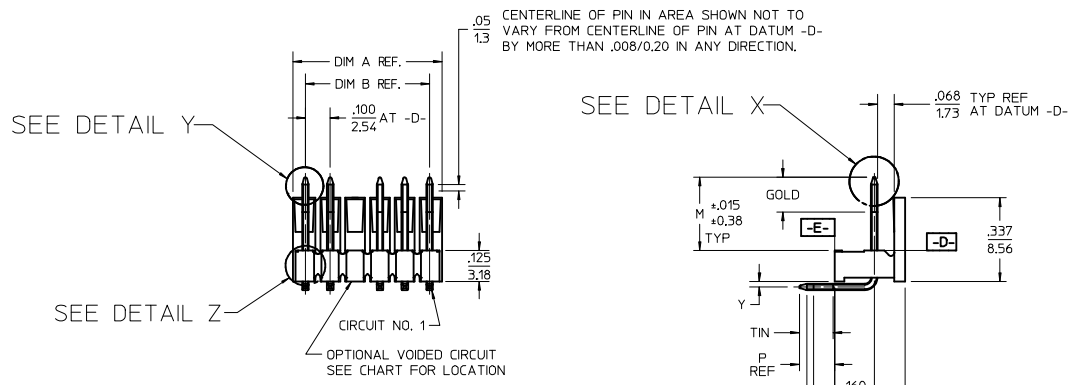
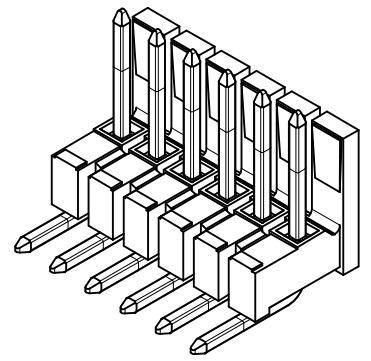
DETAIL X
SCALE 5:1
SEE NOTE 10



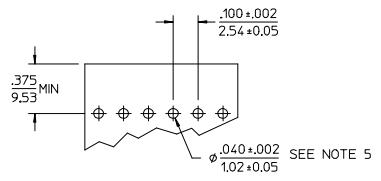
DETAIL Y
SCALE 5:1
SEE NOTE 10



DETAIL Z
SCALE 5:1

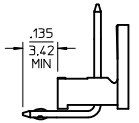


- NOTES:
- MATERIAL: GLASS FILLED NYLON, 94V-0, COLOR: BLACK
 - FINISH:
 - (154) OVERALL TIN: .000100/0.00254 MIN. OVER .000050/0.00127 MIN NICKEL.
 - (208) SELECT GOLD: .000015/0.00038 MIN. SELECT TIN: .000100/0.00254 MIN. OVERALL NICKEL UNDERPLATE: .000050/0.00127 MIN.
 - (228) SELECT GOLD: .000030/0.00076 MIN. SELECT TIN: .000100/0.00254 MIN. OVERALL NICKEL UNDERPLATE: .000050/0.00127 MIN.
 - PRODUCT SPECIFICATION: PS-10-07.
 - PACKAGING INFORMATION: SEE TABLES
 - KINK PIN OPTION NOT RECOMMENDED FOR 2 CIRCUIT PARTS. HOLE SIZE MAY NEED TO BE ADJUSTED ON 2 CIRCUIT PARTS WITH KINK OPTION FOR PROPER INSERTION INTO THE PCB. SEE SMES-42003 FOR ADDITIONAL INFORMATION ON KINK DIRECTION AND PLACEMENT.
 - HEADERS ARE NOT STACKABLE ON .100/2.54 CENTERS.
 - SOLDERABILITY PER SMES-152.
 - PIN PUSH OUT FORCE: 3 LBS. MIN.
 - PARTS CONFORM TO CLASS B REQUIREMENTS OF COSMETIC SPECIFICATION PS-45499-002.
 - PIN TIP DIMENSIONS ARE SHOWN FOR REFERENCE ONLY. DIMENSIONS APPLY PRIOR TO PLATING OR ASSEMBLY.

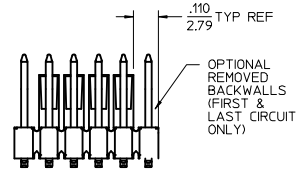


RECOMMENDED PC BOARD LAYOUT

CENTERLINE OF PIN IN AREA SHOWN NOT TO VARY FROM CENTERLINE OF PIN AT DATUM -E- BY MORE THAN .008/0.20 IN ANY DIRECTION.



KINKED PIN OPTION
SEE NOTE 5



REMOVED BACKWALL OPTION

CORRECT PIN TIPS EC NO: UCP2013-0900 DRWN:GAVERRILL 2008/10/24 CHKD:JBELL 2012/09/06 APPR:FSM/TH 2012/10/09	QUALITY SYMBOLS ▽=0 ▽=0 ▽=0	GENERAL TOLERANCES (UNLESS SPECIFIED)		DIMENSION STYLE IN/MM		SCALE 2:1	DESIGN UNITS INCH	THIRD ANGLE PROJECTION
		4 PLACES ± --- ± ---	3 PLACES ± --- ± .010	2 PLACES ± 0.25 ± .014	1 PLACE ± 0.36 ± ---	0 PLACE ± ±	DRAWN BY JSCHAFFER DATE 2003/09/23	CHECKED BY KSAMIEC DATE 2003/09/23
J5	DESCRIPTION	ANGULAR ±1/2° DRAFT WHERE APPLICABLE MUST REMAIN WITHIN DIMENSIONS		MATERIAL NO. SEE CHART		DOCUMENT NO. SD-42624-001		SHEET NO. 1 OF *
		SIZE B		THIS DRAWING CONTAINS INFORMATION THAT IS PROPRIETARY TO MOLEX INCORPORATED AND SHOULD NOT BE USED WITHOUT WRITTEN PERMISSION				

A-42624-0002/0036

HEADER NUMBER:	41410
PLATING:	154
PIN LENGTH: L	.705 / (17.91)
MATING LENGTH: M	.295 / (7.49)
GOLD POINT: G	N/A
PIN HEIGHT: Y	.022 / (0.56)
PC TAIL LENGTH: P	.120 / (3.05)
TIN: T	OVERALL
CKTS:	2-36
KINKS:	NO
REMOVED BACKWALLS:	NO
VOIDED CKTS:	NONE

PACKAGING: BULK , PER PK-40873-0056

CKTS	MATERIAL NUMBER	ENG NUMBER	CKTS	MATERIAL NUMBER	ENG NUMBER
02		A-42624-0002	20		A-42624-0020
03		A-42624-0003	21		A-42624-0021
04		A-42624-0004	22		A-42624-0022
05		A-42624-0005	23		A-42624-0023
06		A-42624-0006	24		A-42624-0024
07		A-42624-0007	25		A-42624-0025
08		A-42624-0008	26		A-42624-0026
09		A-42624-0009	27		A-42624-0027
10		A-42624-0010	28		A-42624-0028
11		A-42624-0011	29		A-42624-0029
12		A-42624-0012	30		A-42624-0030
13		A-42624-0013	31		A-42624-0031
14		A-42624-0014	32		A-42624-0032
15		A-42624-0015	33		A-42624-0033
16		A-42624-0016	34		A-42624-0034
17		A-42624-0017	35		A-42624-0035
18		A-42624-0018	36	22-25-2367	A-42624-0036
19		A-42624-0019			

A-42624-0107/0141

HEADER NUMBER:	41410
PLATING:	154
PIN LENGTH: L	.720 / (18.29)
MATING LENGTH: M	.295 / (7.49)
GOLD POINT: G	N/A
PIN HEIGHT: Y	.022 / (0.56)
PC TAIL LENGTH: P	.135 / (3.43)
TIN: T	OVERALL
CKTS:	2-36
KINKS:	YES
REMOVED BACKWALLS:	NO
VOIDED CKTS:	NONE

PACKAGING: BULK , PER PK-40873-0056

CKTS	MATERIAL NUMBER	ENG NUMBER	CKTS	MATERIAL NUMBER	ENG NUMBER
02	42624-0107	A-42624-0107	20	42624-0125	A-42624-0125
03	42624-0108	A-42624-0108	21	42624-0126	A-42624-0126
04	42624-0109	A-42624-0109	22	42624-0127	A-42624-0127
05	42624-0110	A-42624-0110	23	42624-0128	A-42624-0128
06	42624-0111	A-42624-0111	24	42624-0129	A-42624-0129
07	42624-0112	A-42624-0112	25	42624-0130	A-42624-0130
08	42624-0113	A-42624-0113	26	42624-0131	A-42624-0131
09	42624-0114	A-42624-0114	27	42624-0132	A-42624-0132
10	42624-0115	A-42624-0115	28	42624-0133	A-42624-0133
11	42624-0116	A-42624-0116	29	42624-0134	A-42624-0134
12	42624-0117	A-42624-0117	30	42624-0135	A-42624-0135
13	42624-0118	A-42624-0118	31	42624-0136	A-42624-0136
14	42624-0119	A-42624-0119	32	42624-0137	A-42624-0137
15	42624-0120	A-42624-0120	33	42624-0138	A-42624-0138
16	42624-0121	A-42624-0121	34	42624-0139	A-42624-0139
17	42624-0122	A-42624-0122	35	42624-0140	A-42624-0140
18	42624-0123	A-42624-0123	36	42624-0141	A-42624-0141
19	42624-0124	A-42624-0124			

REV: J5	ECR/ECN INFORMATION: EC No: UCP2013-0900 DATE: 2012-09-06	TITLE: .100 POLARIZING BREAKAWAY HEADER ASSY OPPOSITE BEND	SHEET No. - 2 -
DOCUMENT NUMBER: SD-42624-001	CREATED / REVISED BY: MKIPPER	CHECKED BY: JBELL	APPROVED BY: FSMITH-ROEMER

A-42624-0281/0312					
HEADER NUMBER:		41410			
PLATING:		208			
PIN LENGTH: L		.705 / (17.91)			
MATING LENGTH: M		.295 / (7.49)			
GOLD POINT: G		.180 / (4.57)			
PIN HEIGHT: Y		.022 / (0.56)			
PC TAIL LENGTH: P		.120 / (3.05)			
TIN: T		.135 / (3.43)			
CKTS:		5-36			
KINKS:		NO			
REMOVED BACKWALLS:		NO			
VOIDED CKTS:		5,16			
PACKAGING:		BULK , PER PK-40873-0056			
CKTS	MATERIAL NUMBER	ENG NUMBER	CKTS	MATERIAL NUMBER	ENG NUMBER
02			20		A-42624-0296
03			21		A-42624-0297
04			22		A-42624-0298
05		A-42624-0281	23		A-42624-0299
06		A-42624-0282	24	22-25-2246	A-42624-0300
07		A-42624-0283	25		A-42624-0301
08		A-42624-0284	26		A-42624-0302
09		A-42624-0285	27		A-42624-0303
10		A-42624-0286	28		A-42624-0304
11		A-42624-0287	29		A-42624-0305
12		A-42624-0288	30		A-42624-0306
13		A-42624-0289	31		A-42624-0307
14		A-42624-0290	32		A-42624-0308
15		A-42624-0291	33		A-42624-0309
16		A-42624-0292	34		A-42624-0310
17		A-42624-0293	35		A-42624-0311
18		A-42624-0294	36		A-42624-0312
19		A-42624-0295			

A- 42624-0313/0346					
HEADER NUMBER:		41410			
PLATING:		154			
PIN LENGTH: L		.720 / (18.29)			
MATING LENGTH: M		.295 / (7.49)			
GOLD POINT: G		N/A			
PIN HEIGHT: Y		.022 / (0.56)			
PC TAIL LENGTH: P		.135 / (3.43)			
TIN: T		OVERALL			
CKTS:		3-36			
KINKS:		YES			
REMOVED BACKWALLS:		YES			
VOIDED CKTS:		NONE			
PACKAGING:		BULK , PER PK-40873-0056			
CKTS	MATERIAL NUMBER	ENG NUMBER	CKTS	MATERIAL NUMBER	ENG NUMBER
02			20	42624-0330	A-42624-0330
03	42624-0313	A-42624-0313	21	42624-0331	A-42624-0331
04	42624-0314	A-42624-0314	22	42624-0332	A-42624-0332
05	42624-0315	A-42624-0315	23	42624-0333	A-42624-0333
06	42624-0316	A-42624-0316	24	42624-0334	A-42624-0334
07	42624-0317	A-42624-0317	25	42624-0335	A-42624-0335
08	42624-0318	A-42624-0318	26	42624-0336	A-42624-0336
09	42624-0319	A-42624-0319	27	42624-0337	A-42624-0337
10	42624-0320	A-42624-0320	28	42624-0338	A-42624-0338
11	42624-0321	A-42624-0321	29	42624-0339	A-42624-0339
12	42624-0322	A-42624-0322	30	42624-0340	A-42624-0340
13	42624-0323	A-42624-0323	31	42624-0341	A-42624-0341
14	42624-0324	A-42624-0324	32	42624-0342	A-42624-0342
15	42624-0325	A-42624-0325	33	42624-0343	A-42624-0343
16	42624-0326	A-42624-0326	34	42624-0344	A-42624-0344
17	42624-0327	A-42624-0327	35	42624-0345	A-42624-0345
18	42624-0328	A-42624-0328	36	42624-0346	A-42624-0346
19	42624-0329	A-42624-0329			

J5	REV:	ECR/ECN INFORMATION:	TITLE:	SHEET No.
		EC No: UCP2013-0900	.100 POLARIZING BREAKAWAY HEADER ASSY OPPOSITE BEND	- 3 -
		DATE: 2012-09-06		
DOCUMENT NUMBER: SD-42624-001		CREATED / REVISED BY: MKIPPER	CHECKED BY: JBELL	APPROVED BY: FSMITH-ROEMER

A-42624-0377/0411					
HEADER NUMBER:		41410			
PLATING:		154			
PIN LENGTH: L		.720 / (18.29)			
MATING LENGTH: M		.295 / (7.49)			
GOLD POINT: G		N/A			
PIN HEIGHT: Y		.022 / (0.56)			
PC TAIL LENGTH: P		.135 / (3.43)			
TIN: T		OVERALL			
CKTS:		2-36			
KINKS:		NO			
REMOVED BACKWALLS:		NO			
VOIDED CKTS:		NONE			
PACKAGING:		BULK , PER PK-40873-0056			
CKTS	MATERIAL NUMBER	ENG NUMBER	CKTS	MATERIAL NUMBER	ENG NUMBER
02	42624-0377	A-42624-0377	20	A-42624-0395	42624-0395
03	42624-0378	A-42624-0378	21	A-42624-0396	42624-0396
04	42624-0379	A-42624-0379	22	A-42624-0397	42624-0397
05	42624-0380	A-42624-0380	23	A-42624-0398	42624-0398
06	42624-0381	A-42624-0381	24	A-42624-0399	42624-0399
07	42624-0382	A-42624-0382	25	A-42624-0400	42624-0400
08	42624-0383	A-42624-0383	26	A-42624-0401	42624-0401
09	42624-0384	A-42624-0384	27	A-42624-0402	42624-0402
10	42624-0385	A-42624-0385	28	A-42624-0403	42624-0403
11	42624-0386	A-42624-0386	29	A-42624-0404	42624-0404
12	42624-0387	A-42624-0387	30	A-42624-0405	42624-0405
13	42624-0388	A-42624-0388	31	A-42624-0406	42624-0406
14	42624-0389	A-42624-0389	32	A-42624-0407	42624-0407
15	42624-0390	A-42624-0390	33	A-42624-0408	42624-0408
16	42624-0391	A-42624-0391	34	A-42624-0409	42624-0409
17	42624-0392	A-42624-0392	35	A-42624-0410	42624-0410
18	42624-0393	A-42624-0393	36	A-42624-0411	42624-0411
19	42624-0394	A-42624-0394			

A-42624-0412/0446					
HEADER NUMBER:		41410			
PLATING:		122			
PIN LENGTH: L		.720 / (18.29)			
MATING LENGTH: M		.295 / (7.49)			
GOLD POINT: G		N/A			
PIN HEIGHT: Y		.022 / (0.56)			
PC TAIL LENGTH: P		.135 / (3.43)			
TIN: T		OVERALL			
CKTS:		2-36			
KINKS:		NO			
REMOVED BACKWALLS:		NO			
VOIDED CKTS:		NONE			
PACKAGING:		BULK , PER PK-40873-0056			
CKTS	MATERIAL NUMBER	ENG NUMBER	CKTS	MATERIAL NUMBER	ENG NUMBER
02	42624-0412	A-42624-0412	20	42624-0430	A-42624-0430
03	42624-0413	A-42624-0413	21	42624-0431	A-42624-0431
04	42624-0414	A-42624-0414	22	42624-0432	A-42624-0432
05	42624-0415	A-42624-0415	23	42624-0433	A-42624-0433
06	42624-0416	A-42624-0416	24	42624-0434	A-42624-0434
07	42624-0417	A-42624-0417	25	42624-0435	A-42624-0435
08	42624-0418	A-42624-0418	26	42624-0436	A-42624-0436
09	42624-0419	A-42624-0419	27	42624-0437	A-42624-0437
10	42624-0420	A-42624-0420	28	42624-0438	A-42624-0438
11	42624-0421	A-42624-0421	29	42624-0439	A-42624-0439
12	42624-0422	A-42624-0422	30	42624-0440	A-42624-0440
13	42624-0423	A-42624-0423	31	42624-0441	A-42624-0441
14	42624-0424	A-42624-0424	32	42624-0442	A-42624-0442
15	42624-0425	A-42624-0425	33	42624-0443	A-42624-0443
16	42624-0426	A-42624-0426	34	42624-0444	A-42624-0444
17	42624-0427	A-42624-0427	35	42624-0445	A-42624-0445
18	42624-0428	A-42624-0428	36	42624-0446	A-42624-0446
19	42624-0429	A-42624-0429			

REV: J5	<u>ECR/ECN INFORMATION:</u>		<u>TITLE:</u> .100 POLARIZING BREAKAWAY HEADER ASSY OPPOSITE BEND	<u>SHEET No.</u> - 4 -
	EC No: UCP2013-0900			
	DATE: 2012-09-06			
<u>DOCUMENT NUMBER:</u> SD-42624-001		<u>CREATED / REVISED BY:</u> MKIPPER	<u>CHECKED BY:</u> JBELL	<u>APPROVED BY:</u> FSMITH-ROEMER