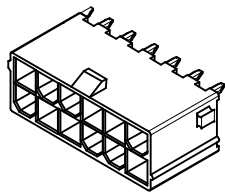


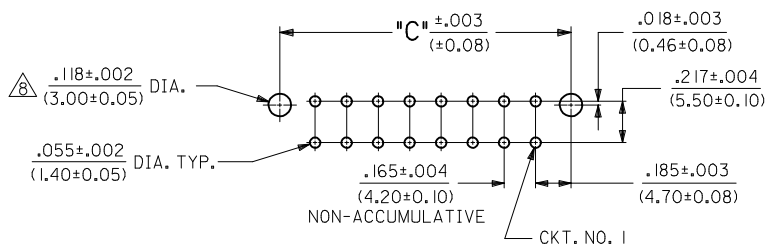
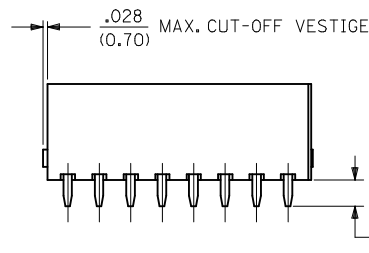
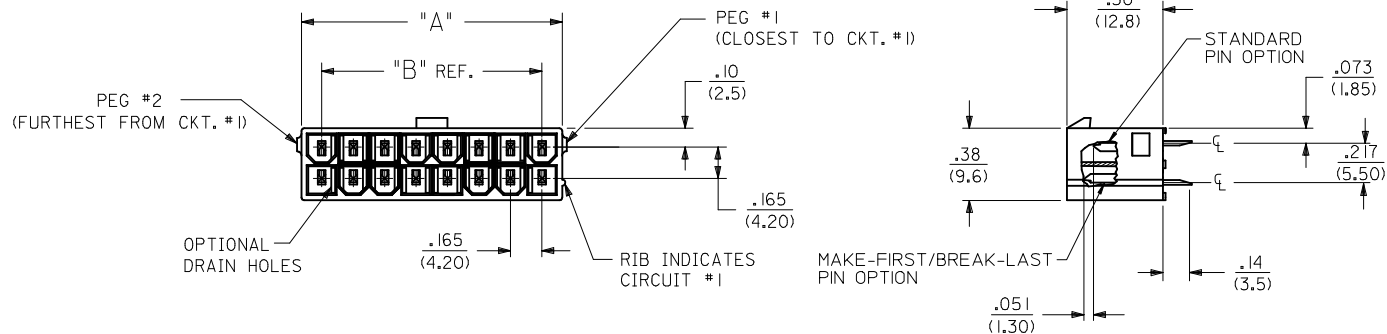
	13	12	11	10	9	8	7	6	5	4	3	2	1
	CIRCUIT SIZE	DIM. "A"	DIM. "B"	DIM. "C"									
J	2	.21 (5.4)	—	.370 (9.40)									
	4	.38 (9.6)	.17 (4.2)	.535 (13.60)									
	6	.54 (13.8)	.33 (8.4)	.701 (17.80)									
I	8	.71 (18.0)	.50 (12.6)	.866 (22.00)									
	10	.87 (22.2)	.66 (16.8)	1.031 (26.20)									
	12	1.04 (26.4)	.83 (21.0)	1.197 (30.40)									
H	14	1.20 (30.6)	.99 (25.2)	1.362 (34.60)									
	16	1.37 (34.8)	1.16 (29.4)	1.528 (38.80)									
	18	1.54 (39.0)	1.32 (33.6)	1.693 (43.00)									
G	20	1.70 (43.2)	1.49 (37.8)	1.858 (47.20)									
	22	1.87 (47.4)	1.65 (42.0)	2.024 (51.40)									
	24	2.03 (51.6)	1.82 (46.2)	2.189 (55.60)									



12 CKT SHOWN

NOTES:

- MATERIALS:
HOUSING MATERIAL AND OPTIONS: SEE CHART
TERMINALS: BRASS
- TERMINAL PLATING:
A = .000035/(0.00089) MIN. BRIGHT TIN OVER
.000020/(0.00051) MIN. COPPER OVERALL
B = .000030/(0.00076) MIN. SELECT GOLD AND
.000100/(0.00254) MIN. MATTE TIN OVER
.000050/(0.00127) MIN. NICKEL OVERALL
C = .000100/(0.00254) MIN. BRIGHT TIN OVER
.000050/(0.00127) MIN. NICKEL OVERALL
- PRODUCT SPECIFICATION: PS-5556-001
- PACKAGING: SEE CHART.
- PART MATES WITH MINI-FIT JR. RECEPTACLE #5557.
- PARTS ARE NOT DESIGNED FOR CURRENT SHARING.
- CONNECTOR ASSEMBLIES ARE NOT DESIGNED TO BE MATED OR UNMATED WHILE CIRCUITS ARE LIVE.
- LOCATION OF .118±.002/(3.00±0.05) DIAMETER HOLES ON P.C. BOARD IS FOR OPTIONAL PEGS.
- PART CONFORMS TO CLASS "B" REQUIREMENTS OF COSMETIC SPECIFICATION PS-45499-002 EXCEPT IN AREA OF PEG CUT-OFF.
- 4 CIRCUIT PARTS WILL HAVE PEG DESIGN A. ALL OTHER CIRCUIT SIZES WILL HAVE PEG DESIGN B.

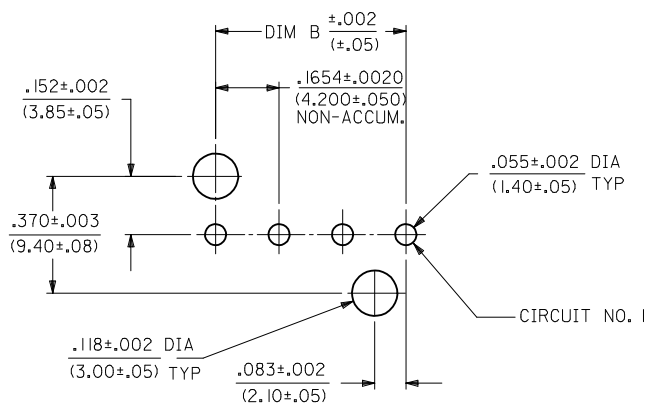
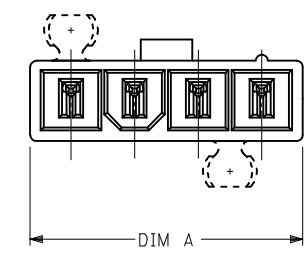
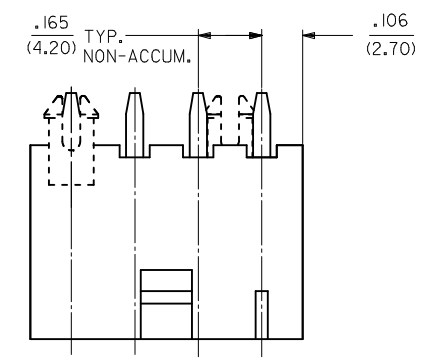
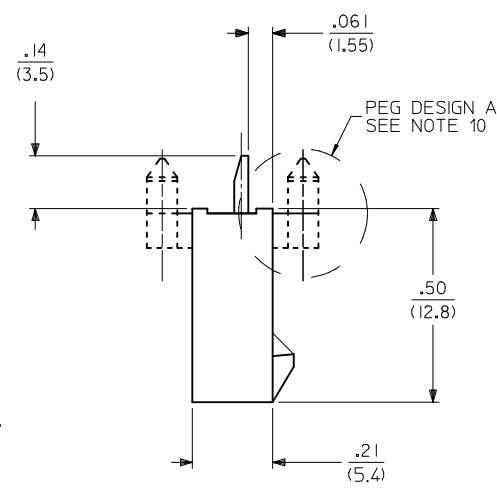
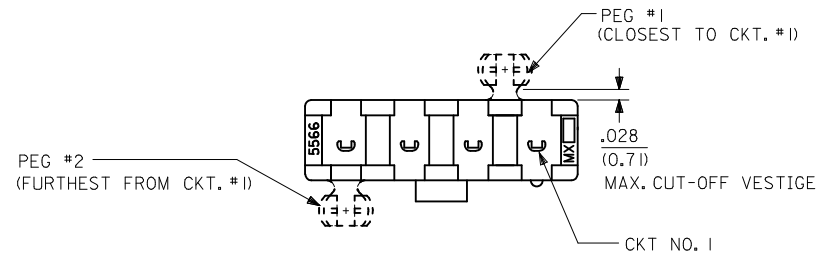
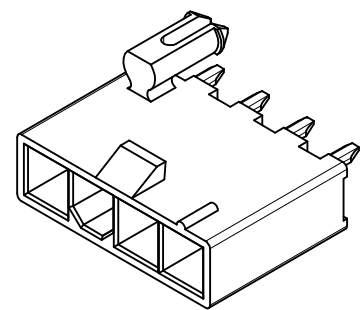


RECOMMENDED HOLE LAYOUT FOR .070/(1.78) MAX. THICK P.C. BOARD VIEWED FROM COMPONENT SIDE (SEE NOTE 8)

SEE SHEET 2 FOR SINGLE ROW PRODUCT

ADD -0025 EC NO: UCP2013-1389 DRW:BBEE 2012/10/08 CHKD:JBELL 2012/10/08 APPR:FSM:TH 2012/10/12	QUALITY SYMBOLS ▽=0 ▽=0 ▽=0	GENERAL TOLERANCES (UNLESS SPECIFIED)		DIMENSION STYLE IN/MM		SCALE 2:1	DESIGN UNITS METRIC	THIRD ANGLE PROJECTION
		mm	INCH	DRAWN BY AFG	DATE 1995/07/19	TITLE 2-24 CKT VERT HDR ASSY W/PEGS REMOVED OPTION W/WO DRAIN HOLE MINI-FIT		
REV D14	DESCRIPTION	4 PLACES ± --- ± ---	CHECKED BY R/JF	DATE 1995/07/19	MOLEX INCORPORATED			
		3 PLACES ± --- ± .015	APPROVED BY FSM:TH	DATE 2010/03/08				
DRAFT WHERE APPLICABLE MUST REMAIN WITHIN DIMENSIONS		2 PLACES ± 0.38 ± .020	MATERIAL NO. SEE SHEET 3		DOCUMENT NO. SDA-43588-****		SHEET NO. 1 OF 4	
		1 PLACE ± 0.50 ± ---	THIS DRAWING CONTAINS INFORMATION THAT IS PROPRIETARY TO MOLEX INCORPORATED AND SHOULD NOT BE USED WITHOUT WRITTEN PERMISSION					

CKT SIZE	DIM A	DIM B
4	.709 (18.00)	.496 (12.60)
5	.874 (22.20)	.661 (16.80)
6	1.039 (26.40)	.827 (21.00)
7	1.205 (30.60)	.992 (25.20)
8	1.370 (34.80)	1.157 (29.40)
9	1.535 (39.00)	1.323 (33.60)
10	1.701 (43.20)	1.488 (37.80)
11	1.866 (47.40)	1.654 (42.00)
12	2.031 (51.60)	1.819 (46.20)



RECOMMENDED HOLE LAYOUT FOR
.070/(1.78) MAX. THICK P. C. BOARD
VIEWED FROM COMPONENT SIDE
(SEE NOTE 8)

SEE SHEET 1 FOR DUAL ROW PRODUCT

SEE SHEET 1 EC NO: UCP2013-1389 DRW:BBEE 2012/10/08 CHKD:JBELL 2012/10/08 APPR:FSMITH 2012/10/12	QUALITY SYMBOLS 	GENERAL TOLERANCES (UNLESS SPECIFIED)		DIMENSION STYLE IN/MM	SCALE 2:1	DESIGN UNITS METRIC	THIRD ANGLE PROJECTION
		4 PLACES ±.015 ±.015 3 PLACES ±.015 ±.015 2 PLACES ±0.38 ±.020 1 PLACE ±0.50 ±.015	DRAWN BY AFG DATE 1995/07/19	CHECKED BY RJF DATE 1995/07/19	TITLE 2-24 CKT VERT HDR ASSY W/PEGS REMOVED OPTION W/NO DRAIN HOLE MINI-FIT		
		APPROVED BY FSMITH DATE 2010/03/08		MOLEX INCORPORATED			
		MATERIAL NO. SEE SHEET 3		DOCUMENT NO. SDA-43588-****	SHEET NO. 2 OF 4		
DRAFT WHERE APPLICABLE MUST REMAIN WITHIN DIMENSIONS		THIS DRAWING CONTAINS INFORMATION THAT IS PROPRIETARY TO MOLEX INCORPORATED AND SHOULD NOT BE USED WITHOUT WRITTEN PERMISSION					

